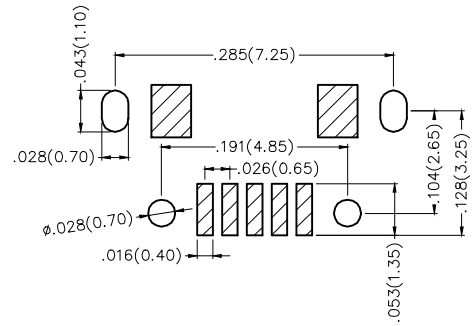
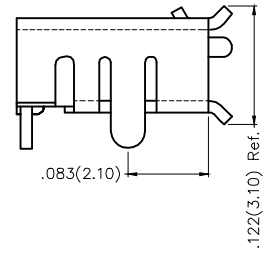
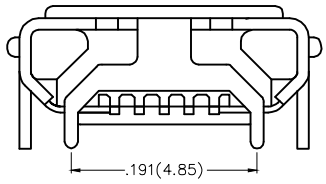
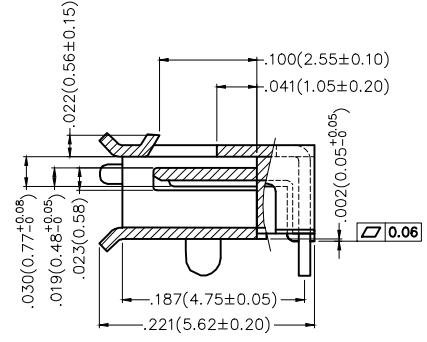
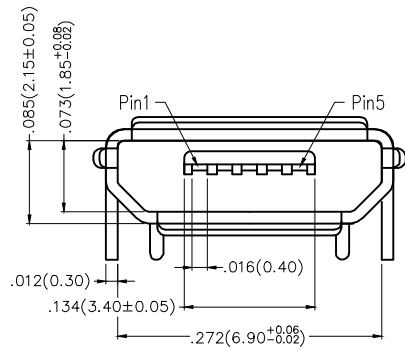
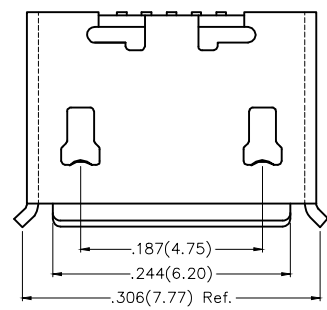


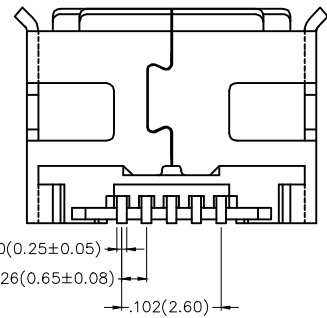
REV	LOCATIONS	DESCRIPTION	DATE	REVISER	APPD

Electrical

Current Rating: 1A AC(rms)/DC  
Voltage Rating: 30V AC(rms)/DC  
Contact Resistance: 50 mΩ Max  
Insulation Resistance: 100 MΩ MIN  
Withstanding Voltage: 100V AC r.m.s  
Temperature Range-Operating: -30°C~+80°C  
Material and Plating  
Housing: Thermoplastic( UL 94V-0)Black  
Contact Pin: Phosphor Bronze  
Plating: Selective gold in contact area, Tin on tail.



Recommended P.C.Board Layout  
General Tolerances: ±0.05mm



 THIRD ANGLE PROJECTION	GENERAL TOLERANCES (UNLESS SPECIFIED)		APPROVE BY	DATE	PART NO.	ITEM NO.	 Leader Of Industry
	X.±.012(0.30)	X'±5'	FRANK	18/JUN/13	FUS435-FSBK6M	FUS435	
	X.X±.008(0.20)	.X'±2'	CHECKED BY	DATE	TITLE		
	X.XX±.006(0.15)	.XX'±1'	CHERRY	18/JUN/13	Micro USB 5Circuits 90°Angle Female(SMT)		
SCALE	SIZE	X.XXX±.004(0.10)	.XXX'±0.5'	DRAWN BY	DATE	THIS DRAWING CONTAINS INFORMATION THAT IS PROPRIETARY TO TXGA INDUSTRIAL ELECTRONICS(S.Z)CO.,LTD AND SHOULD NOT BE USED WITHOUT WRITTEN PERMISSION	
5:1	A4			KATE	18/JUN/13	REV 0	SHEET NO. 1/1