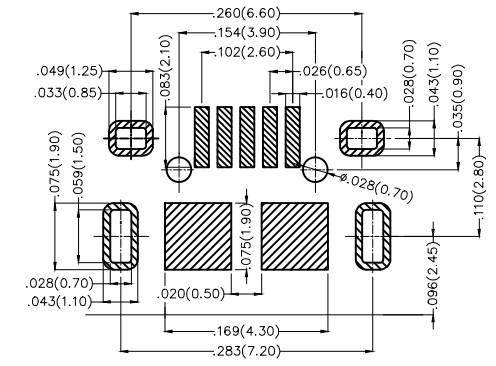
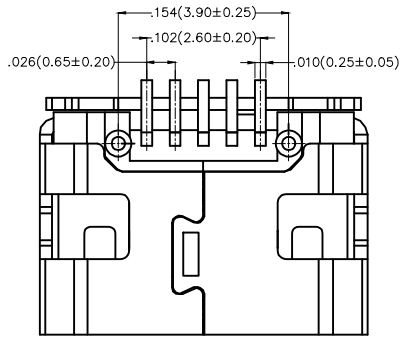
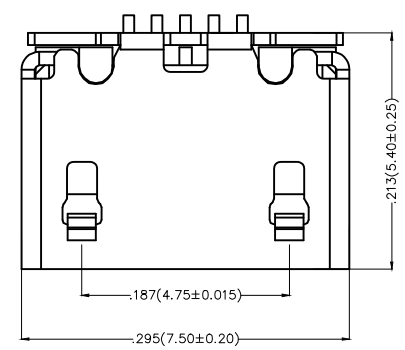
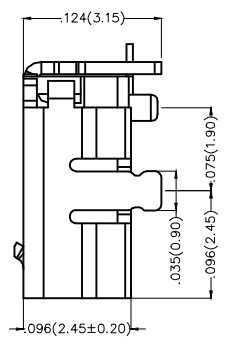
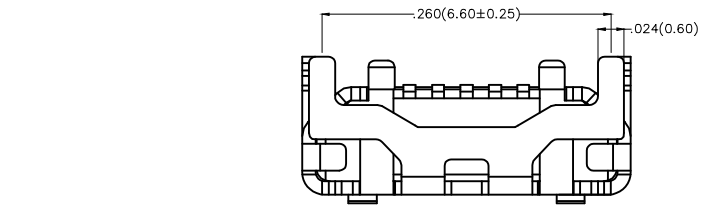
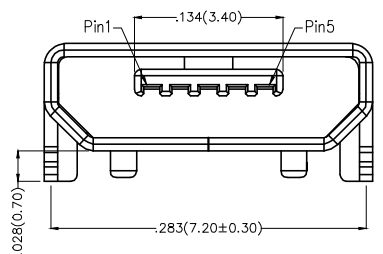


REV	LOCATIONS	DESCRIPTION	DATE	REVISED	APPD

Electrical
 Current Rating: 1A AC(rms)/DC
 Voltage Rating: 30V AC(rms)/DC
 Contact Resistance: 30 mΩ Max
 Insulation Resistance: 100 MΩ MIN
 Withstanding Voltage: 100V AC r.m.s
 Temperature Range-Operating: -25°C~+85°C
 Material and Plating
 Housing: LCP(UL 94V-0)
 Contact Pin: Phosphor Bronze
 Plating: Gold Plated



Recommended P.C.Board Layout
 General Tolerances: ±0.05mm



Pinassignment:

Pins	1	2	3	4	5
Signal name	VBUS	D-	D+	ID	GND

 THIRD ANGLE PROJECTION DESIGN UNITS Inch (metric) SCALE 5:1 SIZE A4	GENERAL TOLERANCES (UNLESS SPECIFIED)		APPROVE BY FRANK	DATE 15/JUL/13	PART NO. FUS428-FSBK6M	ITEM NO. FUS428	 Leader Of Industry	
	X.±.012(0.30)	X.'±5'	CHECKED BY CHERRY	DATE 15/JUL/13	TITLE Micro USB 5Circuits 90°Angle Female(SMT)			REV 0
	X.XX±.008(0.20)	.X'±2'	DRAWN BY KEVIN	DATE 15/JUL/13	THIS DRAWING CONTAINS INFORMATION THAT IS PROPRIETARY TO TXGA INDUSTRIAL ELECTRONICS(S.Z)CO.,LTD AND SHOULD NOT BE USED WITHOUT WRITTEN PERMISSION			
	X.XX±.006(0.15)	.XX'±1'						
	X.XXX±.004(0.10)	.XXX'±0.5'						