

REV	LOCATIONS	DESCRIPTION	DATE	REVISER	APPD

SPECIFICATIONS

Electrical

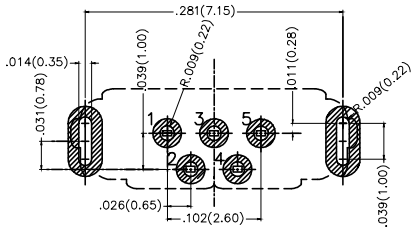
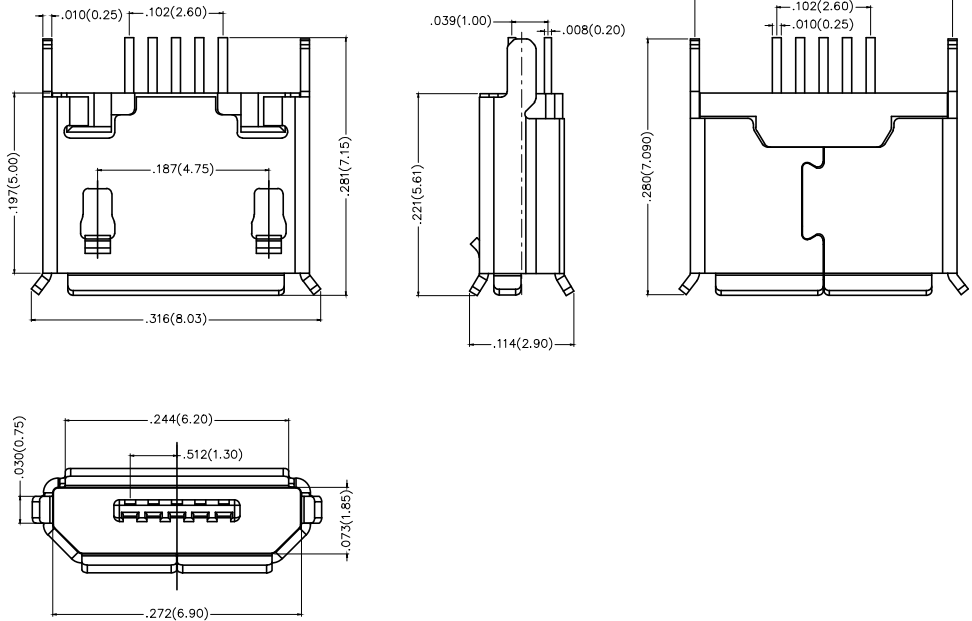
Current Rating: 1A AC(rms)/DC
Voltage Rating: 40V AC(rms)/DC
Contact Resistance: 20 mΩ Max
Insulation Resistance: 100 MΩ MIN
Withstanding Voltage: 100V AC r.m.s
Temperature Range—Operating: -30°C~+80°C

Material and Plating

Housing: LCP (UL 94V-0)
Contact: Phosphor Bronze/ Gold in contact area, tin on tail
Shell: Stainless/ Tin plated

Pinassignment:

Pins	1	2	3	4	5
Signal name	VBUS	D-	D+	ID	GND



Recommended P.C.Board Layout
(General Tolerance : ±.002(0.05))

 THIRD ANGLE PROJECTION	GENERAL TOLERANCES (UNLESS SPECIFIED)		APPROVE BY FRANK	DATE 15/JUL/13	PART NO. FUS423-FDBK6MA	ITEM NO. FUS423	 Leader Of Industry	
	DESIGN UNITS Inch (metric)	X.±.012(0.30) X.X±.008(0.20)	X.±5° .X±2°	CHECKED BY CHERRY	DATE 15/JUL/13	TITLE Micro USB 5Circuits 180°Vertical Female(DIP)		
SCALE 5:1	SIZE A4	X.XX±.006(0.15) X.XXX±.004(0.10)	.XX±1° .XXX±0.5°	DRAWN BY JACOB	DATE 15/JUL/13	THIS DRAWING CONTAINS INFORMATION THAT IS PROPRIETARY TO TXGA INDUSTRIAL ELECTRONICS(S.Z)CO.,LTD AND SHOULD NOT BE USED WITHOUT WRITTEN PERMISSION	REV 0	SHEET NO. 1/1

REV	LOCATIONS	DESCRIPTION	DATE	REVISER	APPD

SPECIFICATIONS

Electrical

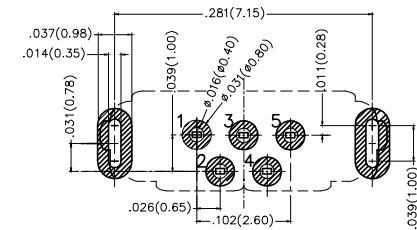
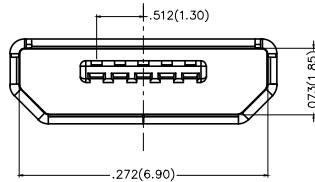
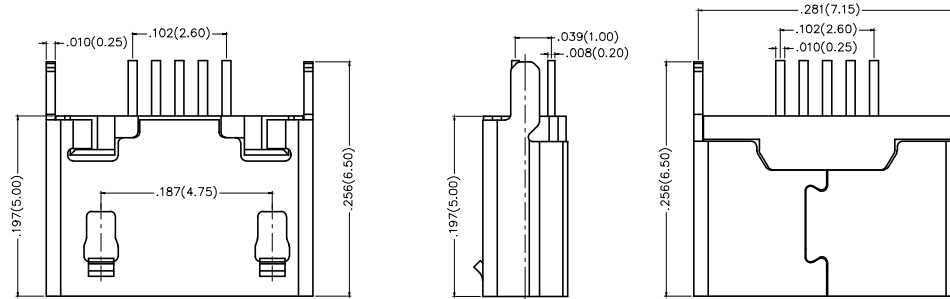
Current Rating: 1A AC(rms)/DC
Voltage Rating: 30V AC(rms)/DC
Contact Resistance: 20 mΩ Max
Insulation Resistance: 100 MΩ MIN
Withstanding Voltage: 100V AC r.m.s
Temperature Range-Operating: -30°C~+80°C

Material and Plating

Housing: LCP , UL94V-0
Contact: Phosphor Bronze/ Gold in contact area, tin on tail
Shell: Stainless/ Tin plated

Pinassignment:

Pins	1	2	3	4	5
Signal name	VBUS	D-	D+	ID	GND



Recommended P.C.Board Layout
(General Tolerance : ±.002(0.05))

 THIRD ANGLE PROJECTION	GENERAL TOLERANCES (UNLESS SPECIFIED)		APPROVE BY FRANK	DATE 15/JUL/13	PART NO. FUS423-FDBK6MB	ITEM NO. FUS423	 Leader Of Industry	
	DESIGN UNITS Inch (metric)	X.±.012(0.30)	X.'±5'	CHECKED BY CHERRY	DATE 15/JUL/13	TITLE Micro USB 5Circuits 180°Vertical Female(DIP)		REV 0
SCALE 5:1	SIZE A4	X.XX±.006(0.15)	.XX'±1'	DRAWN BY JACOB	DATE 15/JUL/13	THIS DRAWING CONTAINS INFORMATION THAT IS PROPRIETARY TO TXGA INDUSTRIAL ELECTRONICS(S.Z.)CO.,LTD AND SHOULD NOT BE USED WITHOUT WRITTEN PERMISSION		
		X.XXX±.004(0.10)	.XXX'±0.5'					