

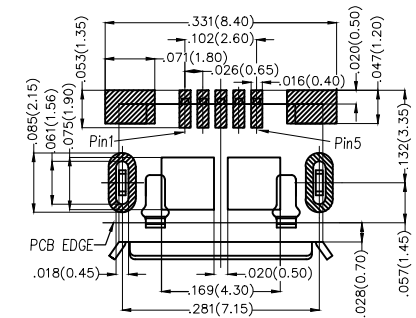
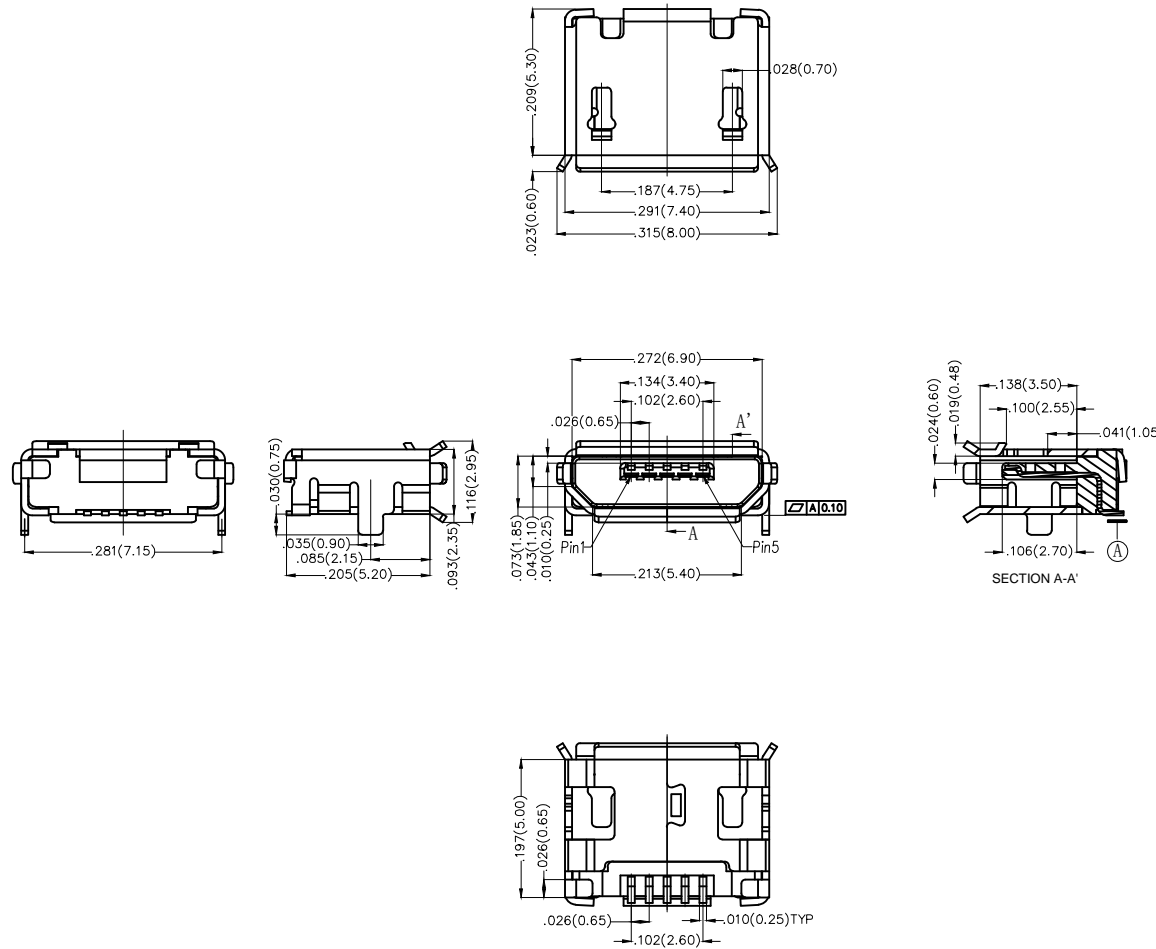
REV	LOCATIONS	DESCRIPTION	DATE	REVISER	APPD

Electrical

Current Rating: 1A AC(rms)/DC
Voltage Rating: 30V AC(rms)/DC
Contact Resistance: 30 mΩ Max
Insulation Resistance: 1000 MΩ MIN
Withstanding Voltage: 600V AC r.m.s
Temperature Range—Operating: -30°C~+85°C

Material and Plating

Housing: LCP(UL 94V-0)
Contact: Phosphor Bronze
Contact Plating: Gold in contact area, Tin on tail.
Shell: Copper alloy/ Nickel plated



Recommended P.C.Board Layout

<p>THIRD ANGLE PROJECTION</p>	GENERAL TOLERANCES (UNLESS SPECIFIED)		APPROVE BY	DATE	PART NO.	ITEM NO.	<p>Leader Of Industry</p>
	X.±.012(0.30)	X.±5'	FRANK	18/JUN/13	FUS415- FSBK6M	FUS415	
	X.X±.008(0.20)	.X'±2'	CHECKED BY	DATE	TITLE		
	X.XX±.006(0.15)	.XX'±1'	CHERRY	18/JUN/13	Micro USB 5Circuits 90°Angle Female(SMT)		
SCALE	SIZE	X.XXX±.004(0.10)	.XXX'±0.5'	DRAWN BY	DATE	THIS DRAWING CONTAINS INFORMATION THAT IS PROPRIETARY TO TXGA INDUSTRIAL ELECTRONICS(S.Z)CO.,LTD AND SHOULD NOT BE USED WITHOUT WRITTEN PERMISSION	
5:1	A4			KATE	18/JUN/13	REV 0	SHEET NO. 1/1