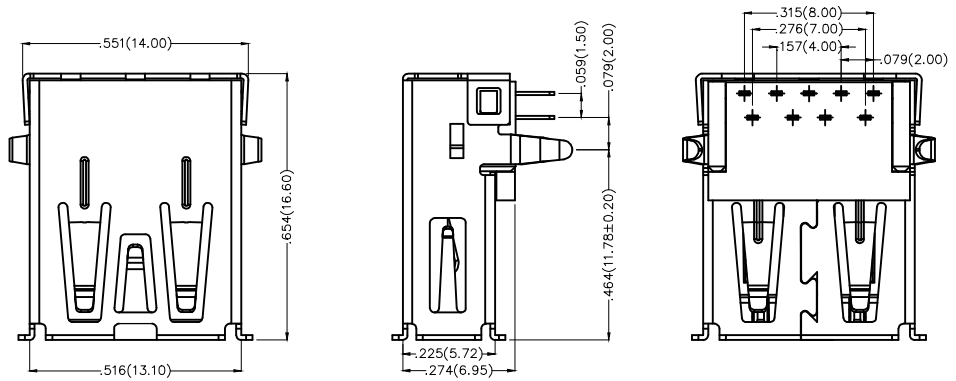
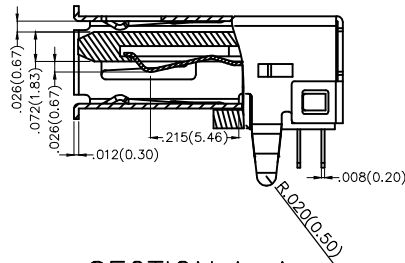
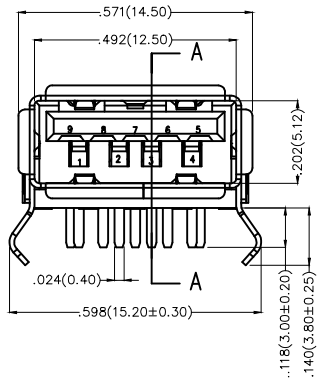


REV	LOCATIONS	DESCRIPTION	DATE	REVISED	APPD



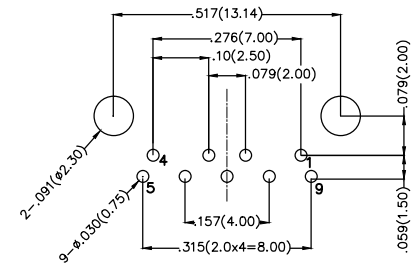
Electrical
Current Rating:
 1.8A Applied To Vbus Pin and its Corresponding GND Pin(Pin1,pin4,pin7)
 0.25A Applied To All Other Pins(pin2,pin3,pin5,pin6,pin8,pin9)
Voltage Rating:100V AC(rms)/DC
Contact Resistance:
 30 mΩ Max Initial For VBUS And GND Contacts(Pin1,Pin4,Pin7)
 50 mΩ Max Initial for All Other Contacts(pin2,pin3,pin5,pin6,pin8,pin9)
Insulation Resistance:100 MΩ MIN
Withstanding Voltage:100V AC r.m.s
Temperature Range—Operating: -55°C~+105°C
Material
Housing: Thermoplastic(UL 94V-0)Blue
Contact: Phosphor Bronze/ Selective gold in contact area,Tin on tail.
Shell: Copper Alloy/ Tin Plated



SECTION A-A

Pinassignment:

Pins	1	2	3	4	
Signal name	VBUS	D-	D+	GND	
REMARK	USB 2.0 Contact Pin				
Pins	5	6	7	8	9
Signal name	SSRX-	SSRX+	GND	SSTX-	SSTX+
	USB 3.0 Contact Pin				



Recommended P.C.Board Layout

 THIRD ANGLE PROJECTION	GENERAL TOLERANCES (UNLESS SPECIFIED)		APPROVE BY	DATE	PART NO.	ITEM NO.	 Leader Of Industry
	X.±.012(0.30)	X.±5°	FRANK	21/JUN/13	FUS301-FDBU1K	FUS301	
DESIGN UNITS Inch (metric)	X.XX±.008(0.20)	.X'±2°	CHECKED BY	DATE	TITLE		REV 0 SHEET NO. 1/1
SCALE	X.XX±.006(0.15)	.XX'±1°	CHERRY	21/JUN/13	USB A-type 9Circuits 90°Angle Female(DIP)(3.0)		
SIZE	X.XXX±.004(0.10)	.XXX'±0.5°	DRAWN BY	DATE	THIS DRAWING CONTAINS INFORMATION THAT IS PROPRIETARY TO TXGA INDUSTRIAL ELECTRONICS(S.Z)CO.,LTD AND SHOULD NOT BE USED WITHOUT WRITTEN PERMISSION		
5:1			JACOB	21/JUN/13			