

REV	LOCATIONS	DESCRIPTION	DATE	REVISER	APPD

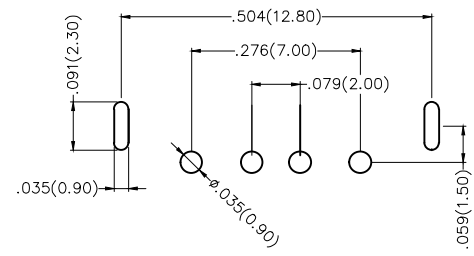
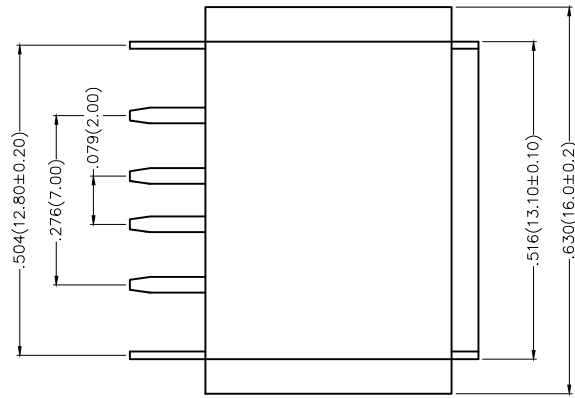
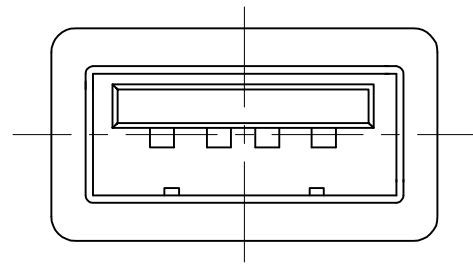
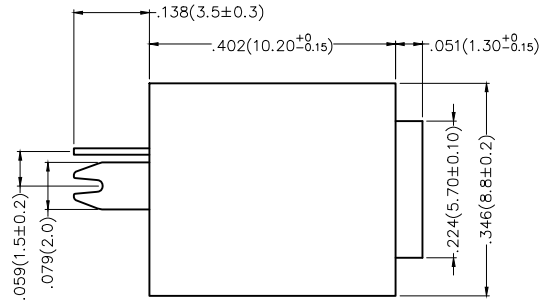
SPECIFICATIONS

Electrical
 Current Rating: 1.5A AC(rms)/DC
 Voltage Rating: 30V AC(rms)/DC
 Contact Resistance: 30 mΩ Max
 Withstanding Voltage: 100V AC r.m.s
 Insulation Resistance: 100 MΩ Min
 Temperature Range-Operating: -25°C~+85°C

Mechanical
 Insertion Force: 35N Max
 Withdrawal Force: 10N~25N
 Durability: 1,500 cycles

Ingress protection rating: IP65

Material
 Housing: PBT (UL 94V-0) , Black
 Terminal: Brass
 Shell: Brass
 Outer insulator: PE (UL 94HB) , Transparent white
Plating
 Terminal: Gold in contact area, tin on tail
 Shell: Nickel plated



Recommended P.C.Board Layout
 General tolerances: ±.002(0.05)

 THIRD ANGLE PROJECTION	GENERAL TOLERANCES (UNLESS SPECIFIED)		APPROVE BY FRANK	DATE 11/MAR/18	PART NO. FUS278-FDSK6K	ITEM NO. FUS278	 Leader Of Industry	
	DESIGN UNITS Inch (metric)	X.±.012(0.30) X.X±.008(0.20) X.XX±.006(0.15) X.XXX±.004(0.10)	X.'±5' .X'±2' .XX'±1' .XXX'±0.5'	CHECKED BY CHERRY	DATE 11/MAR/18	TITLE USB A-type 4Circuits 180°Vertical Female(DIP)		REV 0
SCALE 5:1	SIZE A4		DRAWN BY KATE	DATE 11/MAR/18	THIS DRAWING CONTAINS INFORMATION THAT IS PROPRIETARY TO TXGA INDUSTRIAL ELECTRONICS(S.Z)CO.,LTD AND SHOULD NOT BE USED WITHOUT WRITTEN PERMISSION			