

REV	LOCATIONS	DESCRIPTION	DATE	REVISER	APPD

**SPECIFICATIONS**

**Electrical**

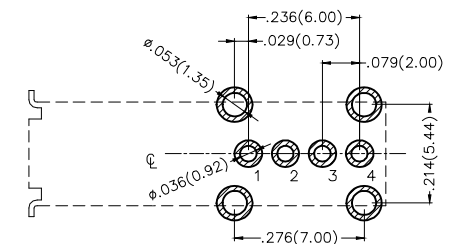
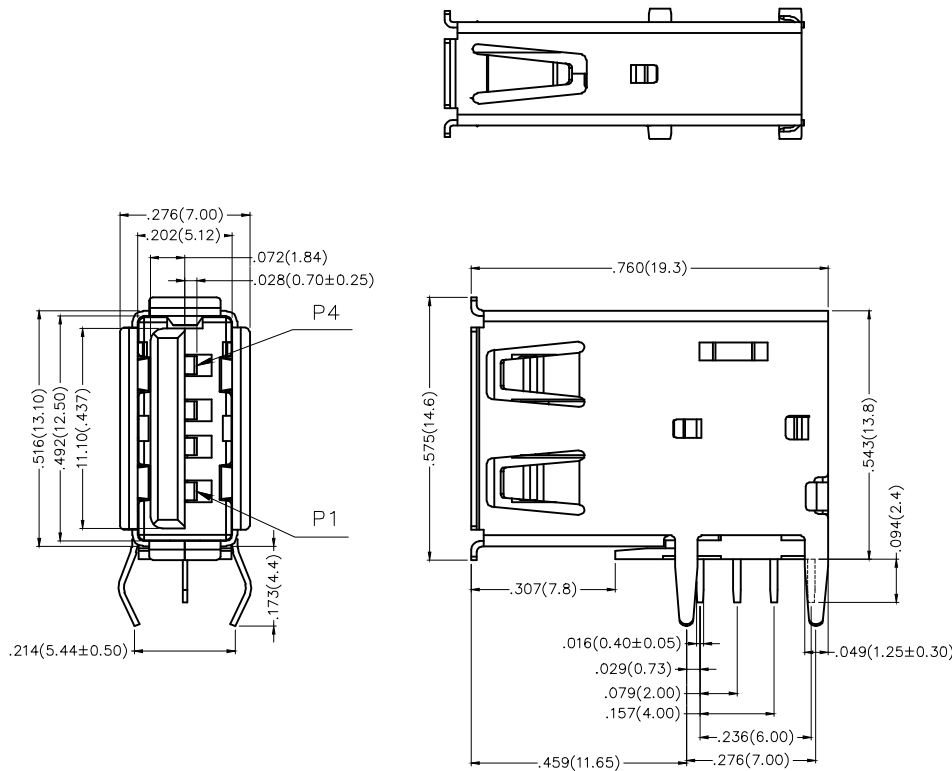
Current Rating: 1.5A AC(rms)/DC  
Voltage Rating: 30V AC(rms)/DC  
Contact Resistance: 20 mΩ Max  
Withstanding Voltage: 500V AC r.m.s  
Insulation Resistance: 1000 MΩ Min  
Temperature Range-Operating: -25°C~+85°C

**Material**

Housing: PBT (UL 94V-0) , White  
Bottom cover: PA9T (UL 94V-0) , White  
Terminal: Phosphor bronze  
Shell: Brass  
Rear shell: SPCC

**Plating**

Terminal: Gold in contact area, tin on tail  
Shell: Nickel plated  
Rear shell: Nickel plated



Recommended P.C.Board Layout

 THIRD ANGLE PROJECTION	GENERAL TOLERANCES (UNLESS SPECIFIED)		APPROVE BY	DATE	PART NO.	ITEM NO.	 Leader Of Industry	
	X.X±.012(0.30)	.X'±5'	FRANK	10/DEC/17	FUS272-FDBW1K	FUS272		
DESIGN UNITS	X.X±.008(0.20)	.X'±2'	CHECKED BY	DATE	TITLE		REV 0	SHEET NO. 1/1
Inch (metric)	X.XX±.006(0.15)	.XX'±1"	CHERRY	10/DEC/17	USB A-type 4Circuits 90°Angle Female(DIP)			
SCALE	X.XXX±.004(0.10)	.XXX'±0.5'	DRAWN BY	DATE	THIS DRAWING CONTAINS INFORMATION THAT IS PROPRIETARY TO TXGA INDUSTRIAL ELECTRONICS(S,Z)CO.,LTD AND SHOULD NOT BE USED WITHOUT WRITTEN PERMISSION			
5:1			KATE	10/DEC/17				

1 2 3 4 5 6 7 8

A

B

C

D

E

F