

REV	LOCATIONS	DESCRIPTION	DATE	REVISER	APPD

SPECIFICATIONS

Electrical

Current Rating: 1.5A AC(rms)/DC
Voltage Rating: 30V AC(rms)/DC
Contact Resistance: 30 mΩ Max
Withstanding Voltage: 500V AC r.m.s
Insulation Resistance: 1000 MΩ Min
Temperature Range-Operating: -25°C~+85°C

Material

Housing: LCP (UL 94V-0) , Natural
Terminal: Brass
Shell: Brass

Plating

Terminal: Gold in contact area, tin on tail
Shell: Nickel plated

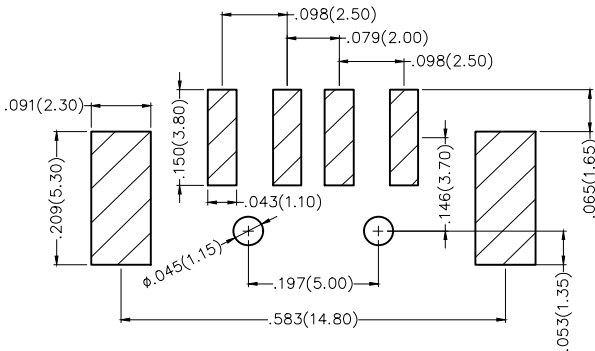
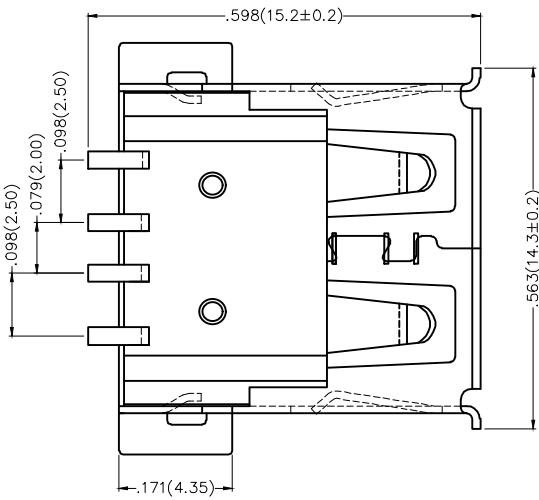
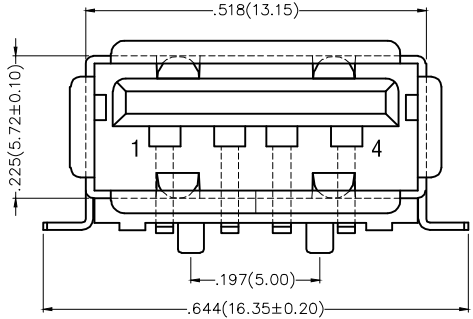
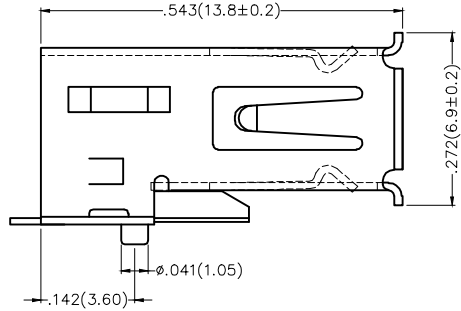
Pinassignment:

Pins	Signal name
PIN 1	+5V
PIN 2	DATA-
PIN 3	DATA+
PIN 4	-5V

Ordering Informaion

FUS 2 70 - F S B XX K
1 2 3 4 5 6 7 8

1 Category FUS-USB	2 Series Number 2-USB 2.0	3 Distinction No. 70	4 Type F-Female
5 Assembly Layout S-SMT	6 Entry Angle B-90° Angle	7 Color-Resin K6-Black W1-White	8 Packaging K-Tray



Recommended P.C.Board Layout

<p>THIRD ANGLE PROJECTION</p>	GENERAL TOLERANCES (UNLESS SPECIFIED)		APPROVE BY FRANK	DATE 10/MAY/17
	X.±.012(0.30)	X.±5°	CHECKED BY CHERRY	DATE 10/MAY/17
	X.X±.008(0.20)	X.±2°	DRAWN BY KATE	DATE 10/MAY/17
	X.XX±.006(0.15)	.XX±1°		
SCALE 5:1	SIZE A4	X.XXX±.004(0.10)	.XXX±0.5°	

PART NO. FUS270-FSBXXK	ITEM NO. FUS270
TITLE USB A-type 4Circuits 90°Angle Female(SMT)	
THIS DRAWING CONTAINS INFORMATION THAT IS PROPRIETARY TO TXGA INDUSTRIAL ELECTRONICS(S.Z)CO.,LTD AND SHOULD NOT BE USED WITHOUT WRITTEN PERMISSION	

TXGA
Leader Of Industry

REV 0 SHEET NO. 1/1