

REV	LOCATIONS	DESCRIPTION	DATE	REVISOR	APPD

SPECIFICATIONS

Electrical

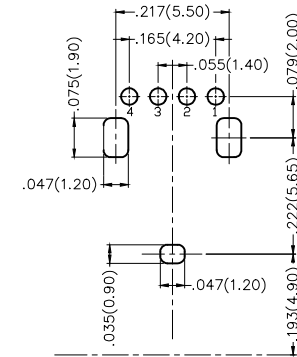
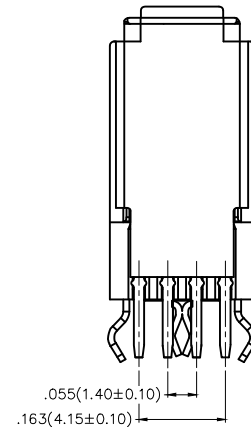
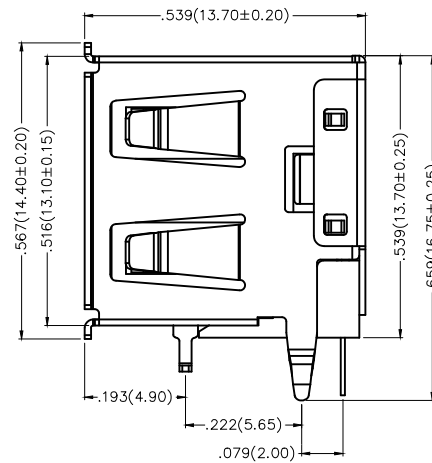
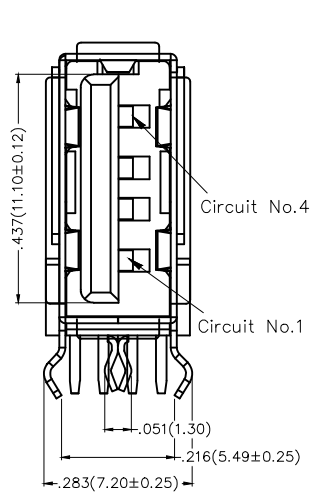
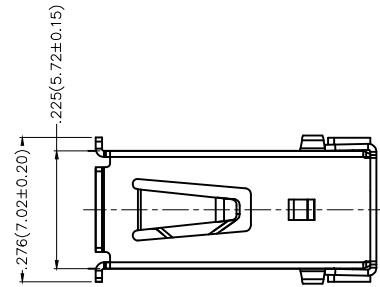
Current Rating: 1.5A AC(rms)/DC
Voltage Rating: 30V AC(rms)/DC
Contact Resistance: 30 mΩ Max
Withstanding Voltage: 750V AC r.m.s
Insulation Resistance: 1000 MΩ Min
Temperature Range—Operating: -25°C~+85°C

Material

Housing: PBT+30%G.F. (UL 94V-0) , Black
Terminal: Phosphor bronze
Shell: SPCC

Plating

Terminal: Gold in contact area, tin on tail
Shell: Nickel Plated



Recommended P.C.Board Layout

 THIRD ANGLE PROJECTION	GENERAL TOLERANCES (UNLESS SPECIFIED)		APPROVE BY	DATE	PART NO.	ITEM NO.	 Leader Of Industry	
	X.±.012(0.30)	X.'±5'	FRANK	10/MAY/13	FUS268-FDBK6K	FUS268		
DESIGN UNITS	X.X±.008(0.20)	X.'±2'	CHECKED BY	DATE	TITLE		REV 0	SHEET NO. 1/1
Inch (metric)	X.XX±.006(0.15)	.XX'±1"	CHERRY	10/MAY/13	USB A-type 4Circuits 90°Angle Female(DIP)			
SCALE	X.XXX±.004(0.10)	.XXX'±0.5'	DRAWN BY	DATE	THIS DRAWING CONTAINS INFORMATION THAT IS PROPRIETARY TO TXGA INDUSTRIAL ELECTRONICS(S.Z)CO.,LTD AND SHOULD NOT BE USED WITHOUT WRITTEN PERMISSION			
5:1			KATE	10/MAY/13				

1 2 3 4 5 6 7 8