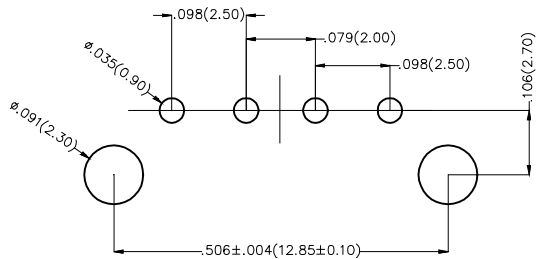
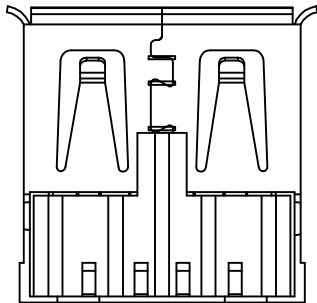
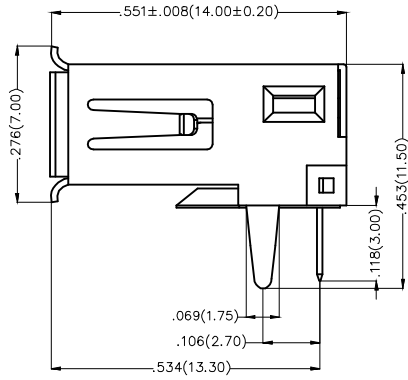
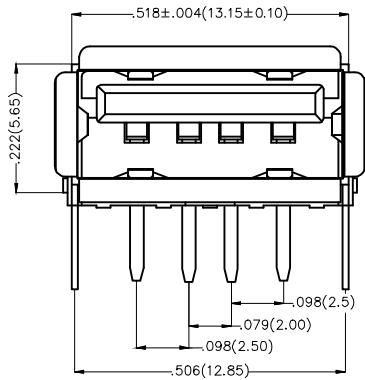


REV	LOCATIONS	DESCRIPTION	DATE	REVISER	APPD



Recommended P.C.Board Layout

**SPECIFICATIONS**

**Electrical**

Current Rating: 1.0A AC(rms)/DC  
 Contact Resistance(Initial): 20 mΩ Max  
 Withstanding Voltage: 600V AC r.m.s  
 Insulation Resistance: 1000 MΩ MIN  
 Temperature Range—Operating: -40°C ~+85°C

**Material**

Housing: NY66 UL 94V-0  
 Contact: Phosphor Bronze/ Gold in contact area, Tin on tail.  
 Shell: Copper alloy/ Nickel Plated

**Ordering Informaion**

FUS 2 30 — F D B XX K  
 1 2 3 4 5 6 7 8

1	Category	2	Series Number	3	Distinction No.	4	Type
	FUS-USB		2-USB 2.0		30		F-Female
5	Assembly Layout	6	Entry Angle	7	Color-Resin	8	Packaging
	D-DIP		B-90° Angle		K6-Black W1-White		K-Tray

 THIRD ANGLE PROJECTION	GENERAL TOLERANCES (UNLESS SPECIFIED)		APPROVE BY	DATE	PART NO.	ITEM NO.	 Leader Of Industry	
	X.±.012(0.30)	X'.±5'	FRANK	25/MAY/13	FUS230-FDBXXK	FUS230		
	DESIGN UNITS Inch (metric)	X.X±.008(0.20)	X'.±2'	CHECKED BY	DATE	TITLE	REV 0	SHEET NO. 1/1
	SCALE	X.XX±.006(0.15)	.XX'±1'	CHERRY	25/MAY/13	USB A-type 4Circuits 90°Angle Female		
SIZE	X.XXX±.004(0.10)	.XXX'±0.5'	DRAWN BY	DATE	THIS DRAWING CONTAINS INFORMATION THAT IS PROPRIETARY TO TXGA INDUSTRIAL ELECTRONICS(S.Z)CO.,LTD AND SHOULD NOT BE USED WITHOUT WRITTEN PERMISSION			
5:1	A4		KEVIN	25/MAY/13				