

REV	LOCATIONS	DESCRIPTION	DATE	REVISER	APPD
1		Add dimension control	25/JUL/18	ANDY	CHEERY

Electrical

Current Rating: 1.5A AC(rms)/DC
Voltage Rating: 30V AC(rms)/DC
Contact Resistance: 30 mΩ Max
Insulation Resistance: 1000 MΩ MIN
Withstanding Voltage: 500V AC r.m.s
Temperature Range—Operating: -40°C ~ +85°C

Material and Plating

Housing: Thermoplastic Polyesters (UL 94V-0)
Contact Pin: Phosphor Bronze
Plating: Gold in contact area, Tin on tail.
Shell: Copper Alloy/ Nickel plated

Pinassignment:

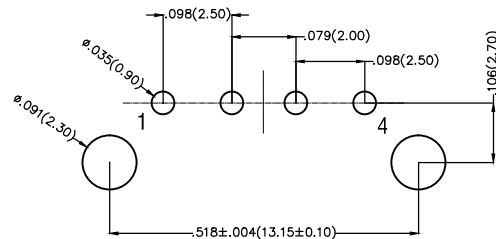
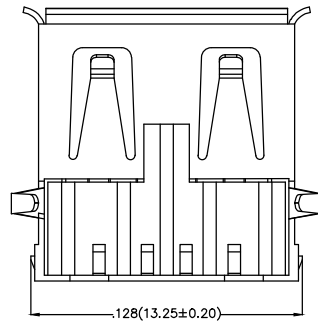
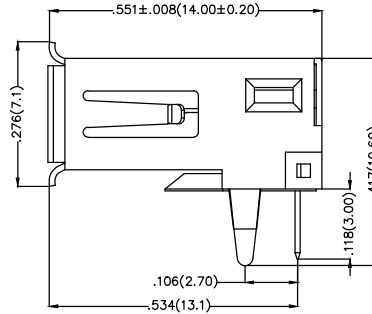
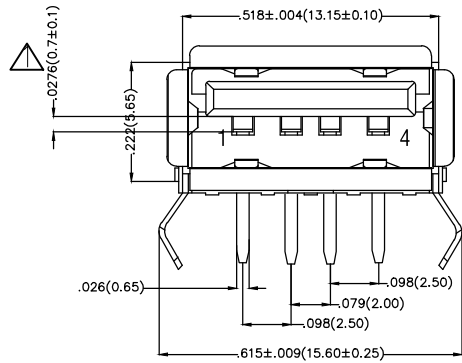
Pins	Signal name
PIN 1	+5V
PIN 2	DATA-
PIN 3	DATA+
PIN 4	-5V

Ordering Informaion

FUS 2 02 — F D B XX K
1 2 3 4 5 6 7 8

1 Category 2 Series Number 3 Distinction No. 4 Type
FUS-USB 2-USB 2.0 02 F-Female

5 Assembly Layout 6 Entry Angle 7 Color-Resin 8 Packaging
D-DIP B-90° Angle K6-Black W3-White K-Tray



Recommended P.C.Board Layout

 THIRD ANGLE PROJECTION	GENERAL TOLERANCES (UNLESS SPECIFIED)		APPROVE BY	DATE	PART NO.	ITEM NO.	 TXGA Leader Of Industry
	X.±.012(0.30)	X'.±5'	FRANK	21/JUN/13	FUS202-FDBXXK	FUS202	
	X.X±.008(0.20)	.X'±2'	CHECKED BY	DATE	TITLE		
	X.XX±.006(0.15)	.XX'±1'	CHERRY	21/JUN/13	USB A-type 4Circuits 90°Angle Female(DIP)		
SCALE	SIZE	X.XXX±.004(0.10)	.XXX'±0.5'	DRAWN BY	DATE	THIS DRAWING CONTAINS INFORMATION THAT IS PROPRIETARY TO TXGA INDUSTRIAL ELECTRONICS(S.Z)CO.,LTD AND SHOULD NOT BE USED WITHOUT WRITTEN PERMISSION	
5:1	A4			JACOB	21/JUN/13	REV 1	SHEET NO. 1/1