

| REV | LOCATIONS | DESCRIPTION | DATE | REVISER | APPD |
|-----|-----------|-------------|------|---------|------|
| | | | | | |

SPECIFICATIONS

Electrical

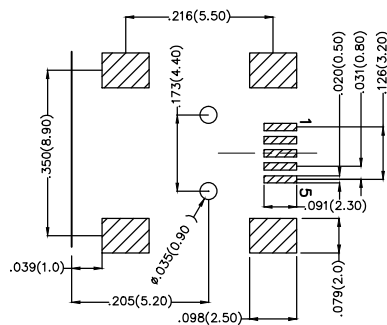
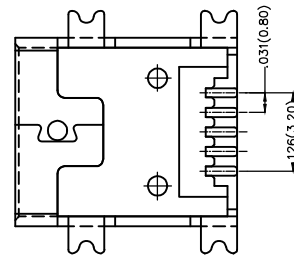
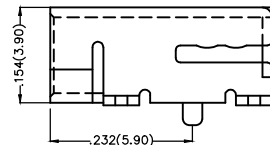
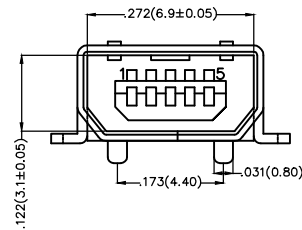
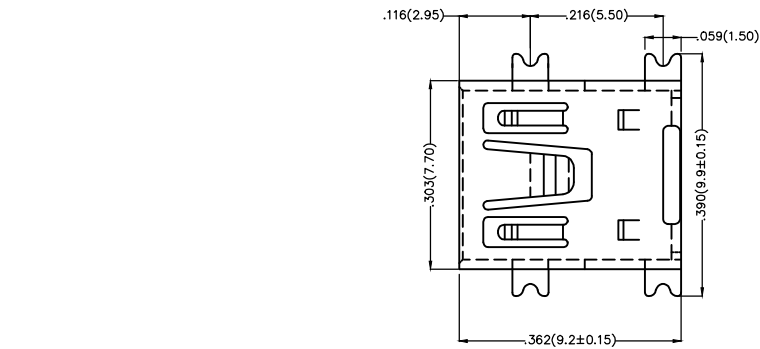
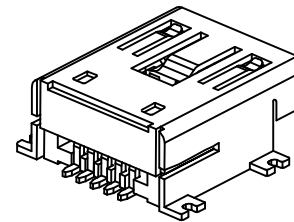
Current Rating: 1A AC(rms)/DC
Voltage Rating: 30V AC(rms)/DC
Contact Resistance: 50 mΩ Max
Insulation Resistance: 100 MΩ MIN
Withstanding Voltage: 100V AC r.m.s
Temperature Range-Operating: -40°C~+85°C

Material and Plating

Housing: LCP (UL 94V-0),Colour:Black
Contact:Phosphor Bronze/Gold Plated On Contact Area ,Tin Plated On Solderails,Nickel Under Plated Over All
Shell: Copper Alloy/Nickel Plated

Pinassignment:

| Pins | 1 | 2 | 3 | 4 | 5 |
|-------------|------|----|----|----|-----|
| Signal name | VBUS | D- | D+ | ID | GND |



Recommended P.C.Board Layout

Ordering Information

FUS 1 17 — F S B K6 M
1 2 3 4 5 6 7 8

| | | | |
|----------------------------|-----------------------------------|------------------------------|-----------------------|
| 1 Series Name FUS-USB | 2 Series Number 1-MINI USB | 3 Distinction No. 17 | 4 Type F-Female |
| 5 Assembly Layout S-SMT | 6 Entry Type B-Side Entry type | 7 Plastic Colour K6-Black | 8 Packaging M-Reel |

| | | | | | | | | |
|----------------------------|---------------------------------------|-----------------|---------------------|----------------------|---------------------------|--|------------------------|-------|
| THIRD ANGLE PROJECTION | GENERAL TOLERANCES (UNLESS SPECIFIED) | | APPROVE BY FRANK | DATE 15/JUL/13 | PART NO. FUS117-FSBK6M | ITEM NO. FUS104 | Leader Of Industry | |
| | DESIGN UNITS Inch (metric) | X.±.012(0.30) | X.'±5' | CHECKED BY CHERRY | DATE 15/JUL/13 | TITLE MINI USB AB TYPE FEMALE CONN | | REV 0 |
| SCALE 5:1 | SIZE A4 | X.XX±.006(0.15) | .XX'±1' | DRAWN BY JACOB | DATE 15/JUL/13 | THIS DRAWING CONTAINS INFORMATION THAT IS PROPRIETARY TO TXGA INDUSTRIAL ELECTRONICS(S.Z)CO.,LTD AND SHOULD NOT BE USED WITHOUT WRITTEN PERMISSION | | |