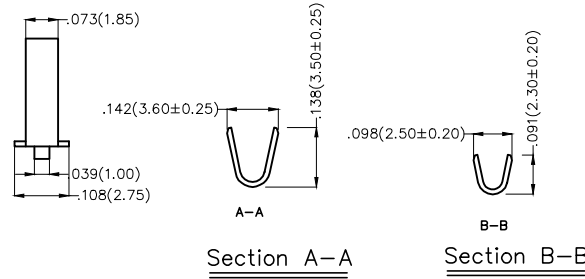
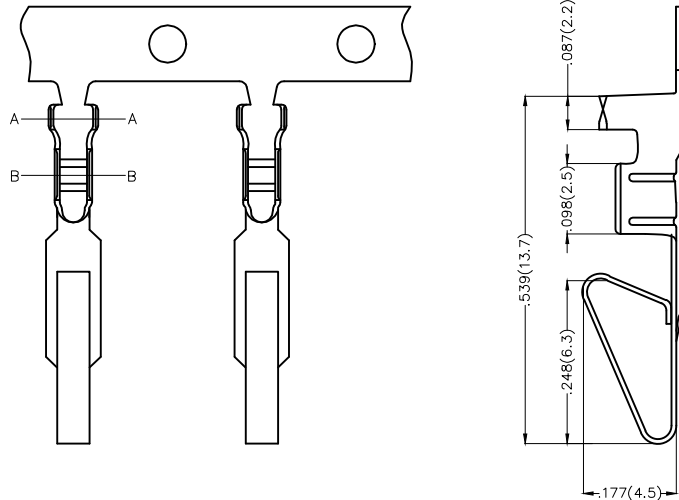


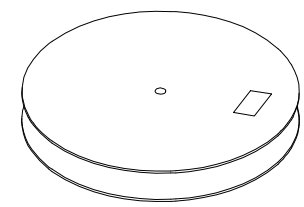
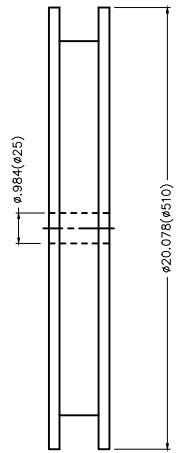
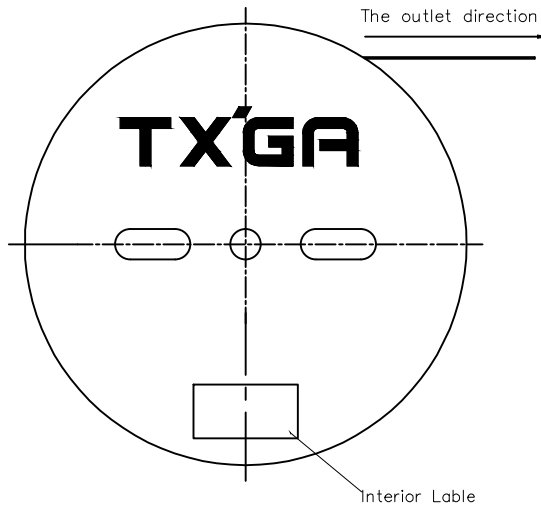
REV	LOCATIONS	DESCRIPTION	DATE	REVISER	APPD

Electrical
 Material: Phosphor Bronze
 Plating: Tin-Plated
 Wire Range: 18AWG~24AWG
 Applicable Housing: FHG39602Series
 Minimum Order Quantity : 6,000 PCS

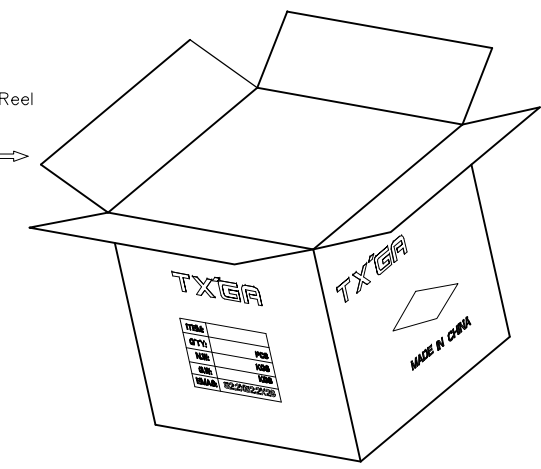


 THIRD ANGLE PROJECTION	GENERAL TOLERANCES (UNLESS SPECIFIED)		APPROVE BY FRANK	DATE 25/JUN/13	PART NO. FT39603-F2H	ITEM NO. FT39603	 Leader Of Industry
	DESIGN UNITS Inch (metric)	X.±.012(0.30) X.±5'	X.X±.008(0.20) .X'±2'	CHECKED BY JACOB	DATE 25/JUN/13	TITLE Wire to Board Pitch 3.96mm(Terminal)	
SCALE 5:1	SIZE A4	X.XX±.006(0.15) .XX'±1'	DRAWN BY CHERRY	DATE 25/JUN/13	THIS DRAWING CONTAINS INFORMATION THAT IS PROPRIETARY TO TXGA INDUSTRIAL ELECTRONICS(S.Z)CO.,LTD AND SHOULD NOT BE USED WITHOUT WRITTEN PERMISSION		
		X.XXX±.004(0.10) .XXX'±0.5'					

REV	LOCATIONS	DESCRIPTION	DATE	REVISER	APPD



6,000Pcs/Reel



 THIRD ANGLE PROJECTION	GENERAL TOLERANCES (UNLESS SPECIFIED)		APPROVE BY	DATE	PART NO.	ITEM NO.	 Leader Of Industry
	X.±.012(0.30)	X.±5'	FRANK	25/JUN/13	FT39603-F2H	FT39603	
DESIGN UNITS Inch (metric)	X.X±.008(0.20)	.X'±2'	CHECKED BY	DATE	TITLE		REV 0 SHEET NO. 2/2
SCALE	X.XX±.006(0.15)	.XX'±1'	JACOB	25/JUN/13	Wire to Board Pitch 3.96mm(Terminal)		
SIZE	X.XXX±.004(0.10)	.XXX'±0.5'	DRAWN BY	DATE	THIS DRAWING CONTAINS INFORMATION THAT IS PROPRIETARY TO TXGA INDUSTRIAL ELECTRONICS(S.Z)CO.,LTD AND SHOULD NOT BE USED WITHOUT WRITTEN PERMISSION		
5:1	A4		CHERRY	25/JUN/13			