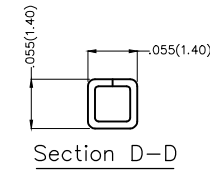
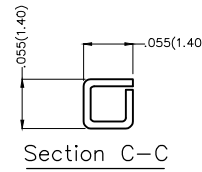
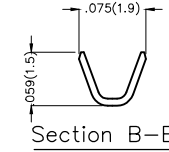
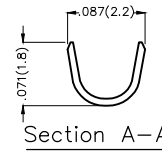
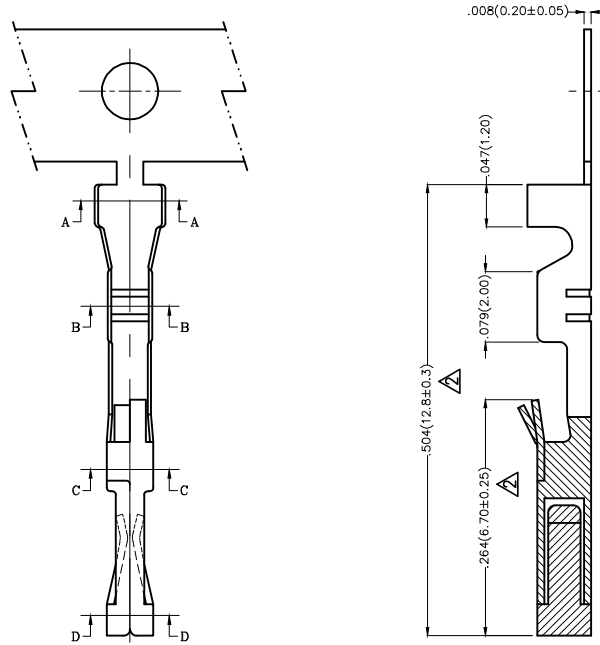


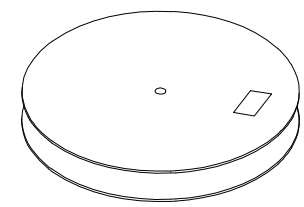
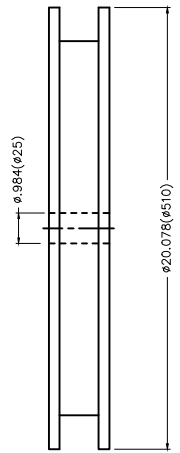
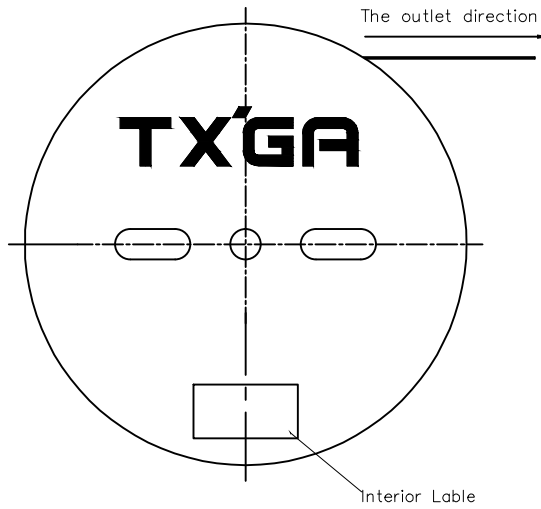
REV	LOCATIONS	DESCRIPTION	DATE	REVISER	APPD
1		MOQ: Change 10,000 into 15,000 pcs/reel	13/JUL/17	KATE	FRANK
2		Change the tolerances	28/MAY/18	KATE	FRANK

Electrical
 Material: Phosphor Bronze
 Plating: Tin-Plated
 Wire Range: 28AWG~22AWG
 Applicable Housing: FHG25402Series
 Minimum Order Quantity : 15,000 PCS

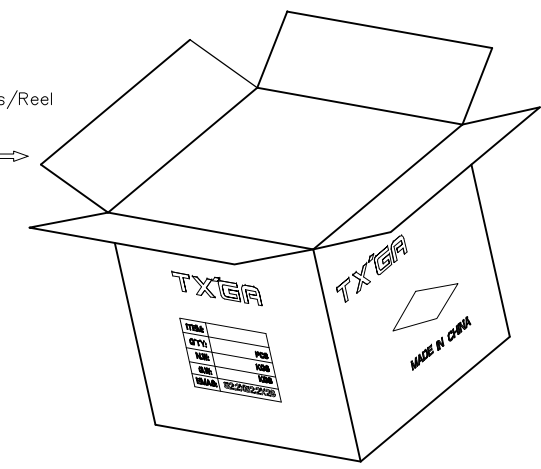


	THIRD ANGLE PROJECTION		GENERAL TOLERANCES (UNLESS SPECIFIED)		APPROVE BY FRANK	DATE 25/JUN/13	PART NO. FT25402-F2H	ITEM NO. FT25402		Leader Of Industry
	DESIGN UNITS Inch (metric)		X.±.012(0.30)	X.±5'	CHECKED BY JACOB	DATE 25/JUN/13	TITLE Wire to Board Pitch 2.54mm(Terminal)			
SCALE 5:1	SIZE A4	X.XX±.006(0.15)	.XX'±1'	DRAWN BY CHERRY	DATE 25/JUN/13	THIS DRAWING CONTAINS INFORMATION THAT IS PROPRIETARY TO TXGA INDUSTRIAL ELECTRONICS(S.Z)CO.,LTD AND SHOULD NOT BE USED WITHOUT WRITTEN PERMISSION				
		X.XXX±.004(0.10)	.XXX'±0.5'							

REV	LOCATIONS	DESCRIPTION	DATE	REVISER	APPD
1		MOQ: Change 10,000 into 15,000 pcs/reel	13/JUL/17	KATE	FRANK
2		Change the tolerances	28/MAY/18	KATE	FRANK



15,000 Pcs/Reel



 THIRD ANGLE PROJECTION	GENERAL TOLERANCES (UNLESS SPECIFIED)		APPROVE BY FRANK	DATE 25/JUN/13	PART NO. FT25402-F2H	ITEM NO. FT25402	 Leader Of Industry	
	DESIGN UNITS Inch (metric)	X. \pm .012(0.30)	X. \pm 5'	CHECKED BY JACOB	DATE 25/JUN/13	TITLE Wire to Board Pitch 2.54mm(Terminal)		REV 2
SCALE 5:1	SIZE A4	X.XX \pm .006(0.15)	.XX \pm 1'	DRAWN BY CHERRY	DATE 25/JUN/13	THIS DRAWING CONTAINS INFORMATION THAT IS PROPRIETARY TO TXGA INDUSTRIAL ELECTRONICS(S.Z.)CO.,LTD AND SHOULD NOT BE USED WITHOUT WRITTEN PERMISSION		
		X.XXX \pm .004(0.10)	.XXX \pm 0.5'					