

REV	LOCATIONS	DESCRIPTION	DATE	REVISER	APPD
1	△	Part No.: Change FRJ45100 into FRJ45048	31/MAY/18	Vandy	Eric

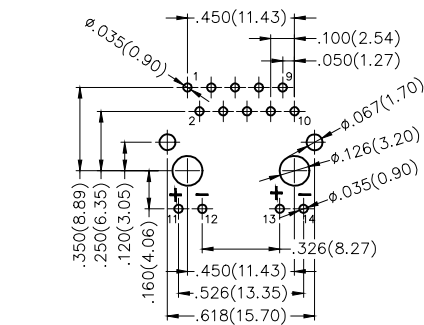
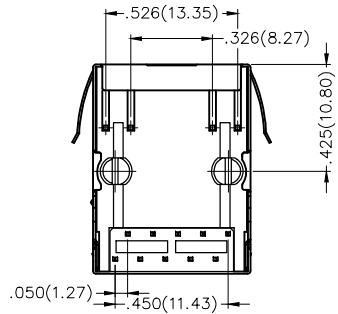
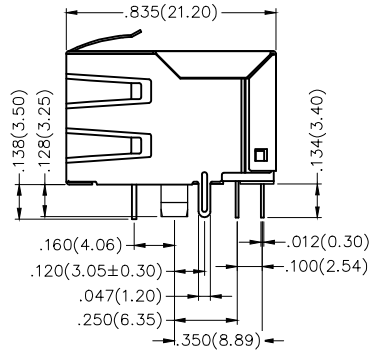
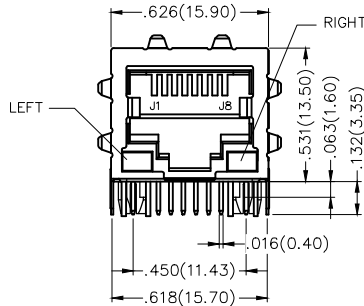
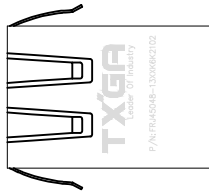
SPECIFICATIONS

Electrical

Current Rating: 1.5A AC(rms)/DC
Voltage Rating: 125V AC(rms)/DC
Contact Resistance: 40 mΩ Max
Insulation Resistance: 1000 MΩ Min / DC 500V
Withstanding Voltage: 1000V AC r.m.s
Operating Temperature: -20°C~+70°C

Material and Plating

Housing: PBT UL94V-0, Black
Contact: Phosphor Bronze/Gold Plated/Selective
Gold Plated On Contact Area, Matte Tin Plated On Tails.
Shell: Brass T=.008(0.20mm)/Nickel Plated



Recommended P.C.Board Layout

Ordering Information

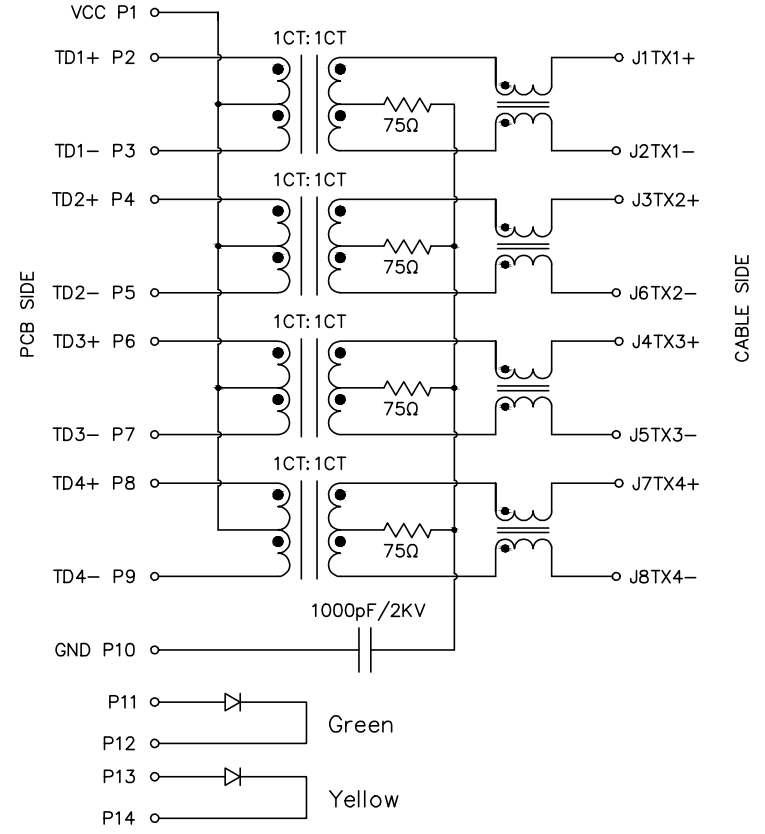
FRJ45 048 - 1 3 XX K6 K X 1 0 2
1 2 3 4 5 6 7 8 9 10

1 <u>Category</u> FRJ45-RJ45 Connector	2 <u>Distinction No.</u> 048	3 <u>Ports options</u> 1-1 Port	4 <u>Plating</u> 3-Selective gold in contact area, tin on tail	5 <u>Thickness of plating</u> 00-Gold flash 03-3μ" Custom plate available
6 <u>Color-Resin</u> K6-Black	7 <u>Packaging</u> K-Tray	8 <u>LED style</u> 1-L: Yellow R: Green 2-L: Green R: Yellow	9 <u>Contact type</u> 1-Square pin	10 <u>Pin circuits</u> 2-1000Base-T

 THIRD ANGLE PROJECTION	GENERAL TOLERANCES (UNLESS SPECIFIED)		APPROVE BY FRANK	DATE 18/JUN/13	PART NO. △ FRJ45048-13XXX6K2102	ITEM NO. FRJ45048	 Leader Of Industry
	DESIGN UNITS Inch (metric)	X.±.012(0.30) X.±5'	CHECKED BY CHERRY	DATE 18/JUN/13	TITLE RJ45 Connectors 10P8C 90°Angle(1000Base-T)		
SCALE 5:1	SIZE A4	X.XX±.006(0.15) .XX±1" X.XXX±.004(0.10) .XXX±0.5'	DRAWN BY KATE	DATE 18/JUN/13	THIS DRAWING CONTAINS INFORMATION THAT IS PROPRIETARY TO TXGA INDUSTRIAL ELECTRONICS(S,Z)CO.,LTD AND SHOULD NOT BE USED WITHOUT WRITTEN PERMISSION		

REV	LOCATIONS	DESCRIPTION	DATE	REVISOR	APPD
1					

Schematic



PARAMETER	SPECIFICATIONS
OPERATING TEMPERATURE	0°C to +70°C
TURNS RATIO	1:1±2%
INDUCTANCE(OCL)	350uH Min@100KHz/100mV With 8mA DC Bias
INSERTION LOSS	-1.0dB Max@0.3MHz-100MHz;
RETURN LOSS (Z out=100 OHM)	-18dB Min@1MHz-30MHz; -13dB Min@30MHz-60MHz; -10dB Min@60MHz-100MHz;
CROSSTALK (ADJACENT CHANNELS)	-30dB Min@1MHz-100MHz;
COMMON MODE REJECTION RATIO	-30dB Min@1MHz-100MHz;
HI-POT	2250 VDC@60 SECONDS

LED SPECIFICATION			
STANDARD LED	WAVELENGTH	Forward V(max)	TYP
GREEN	565nm	2.4V	2.2V
YELLOW	590nm	2.5V	2.1V

* With A Forward Current of 20mA

 THIRD ANGLE PROJECTION	GENERAL TOLERANCES (UNLESS SPECIFIED)		APPROVE BY	DATE	PART NO.	ITEM NO.	 Leader Of Industry
	X.±.012(0.30)	X.*±5'	FRANK	18/JUN/13	FRJ45048-13XXK6K2102	FRJ45048	
DESIGN UNITS Inch (metric)	X.X±.008(0.20)	.X'±2'	CHECKED BY	DATE	TITLE		REV 1
SCALE	X.XX±.006(0.15)	.XX±1"	CHERRY	18/JUN/13	RJ45 Connectors 10P8C 90°Angle(1000Base-T)		
5:1	X.XXX±.004(0.10)	.XX'±0.5'	DRAWN BY	DATE	THIS DRAWING CONTAINS INFORMATION THAT IS PROPRIETARY TO TXGA INDUSTRIAL ELECTRONICS(S,Z)CO.,LTD AND SHOULD NOT BE USED WITHOUT WRITTEN PERMISSION		
SIZE A4			KATE	18/JUN/13			