

REV	LOCATIONS	DESCRIPTION	DATE	REVISER	APPD
1	△	Part No.: Change FRJ45113 into FRJ45041	31/MAY/18	KATE	ERIC

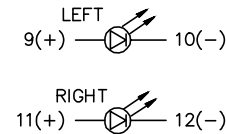
### SPECIFICATIONS

#### Electrical

Current Rating: 1.5A AC(rms)/DC  
Voltage Rating: 125V AC(rms)/DC  
Contact Resistance: 40 mΩ Max  
Insulation Resistance: 500 MΩ Min / DC 500V  
Withstanding Voltage: 1000V AC r.m.s  
Operating Temperature: -20°C~+75°C

#### Material and Plating

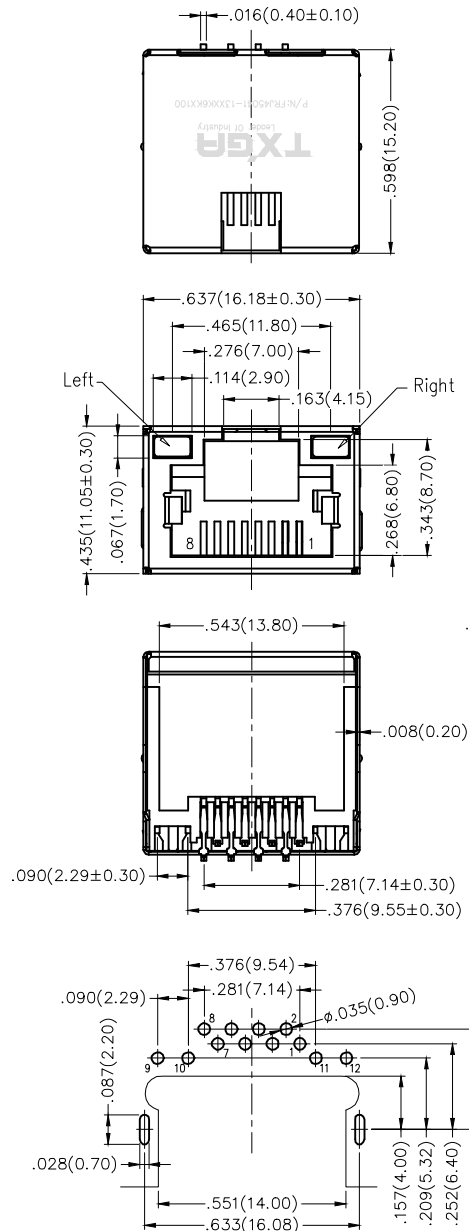
Housing: LCP (UL 94V-0), Black  
Contact: Phosphor Bronze/Gold Plated/Selective gold in contact area, tin on tail  
Shell: Brass/Nickel Plated



### Ordering Information

FRJ45 041 - 1 3 XX K6 K X 1 0 0  
1 2 3 4 5 6 7 8 9

1 <u>Category</u> FRJ45-RJ45 Connector	2 <u>Distinction No.</u> 041	3 <u>Ports options</u> 1-1 Port	4 <u>Plating</u> 3-Selective gold in contact area, tin on tail	5 <u>Thickness of plating</u> 00-Gold flash 02-2μ" Custom plate available
6 <u>Color-Resin</u> K6-Black	7 <u>Packaging</u> K-Tray	8 <u>LED style</u> 1-L: Yellow R: Green 2-L: Green R: Yellow	9 <u>Contact type</u> 1-Square pin	



Recommended P.C.Board Layout

 THIRD ANGLE PROJECTION	GENERAL TOLERANCES (UNLESS SPECIFIED)		APPROVE BY FRANK	DATE 18/JUN/13	PART NO. △ FRJ45041-13XXK6KX100	ITEM NO. FRJ45041	 Leader Of Industry
	X.X±.012(0.30)	X'±5'	CHECKED BY CHERRY	DATE 18/JUN/13	TITLE RJ45 Connectors 8P8C 90°Angle		
DESIGN UNITS Inch (metric)	X.XX±.008(0.20)	.X'±2'	DRAWN BY KATE	DATE 18/JUN/13	THIS DRAWING CONTAINS INFORMATION THAT IS PROPRIETARY TO TXGA INDUSTRIAL ELECTRONICS(S,Z)CO.,LTD AND SHOULD NOT BE USED WITHOUT WRITTEN PERMISSION		
SCALE 5:1	SIZE A4	X.XXX±.004(0.10)					