

REV	LOCATIONS	DESCRIPTION	DATE	REVISER	APPD
1	△	1. Add the "TXGA" logo 2. Part No.: Change FRJ45028 into FRJ45028	31/MAY/18	Vandy	Eric

### SPECIFICATIONS

#### Electrical Performances

Current Rating: 1.5A AC(rms)/DC  
Voltage Rating: 125V AC(rms)/DC  
Contact Resistance: 30 mΩ Max  
Insulation Resistance: 500 MΩ MIN  
Withstanding Voltage: 1000V AC r.m.s  
Temperature Range—Operating: -40°C~+85°C

#### Material and Plating

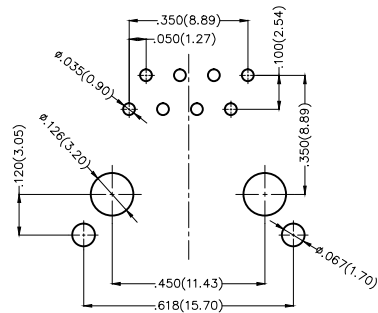
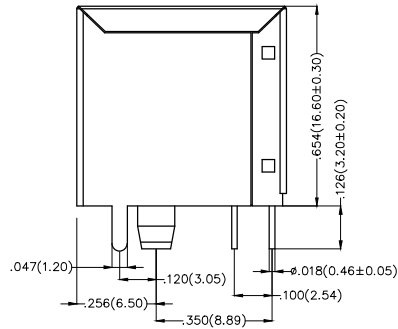
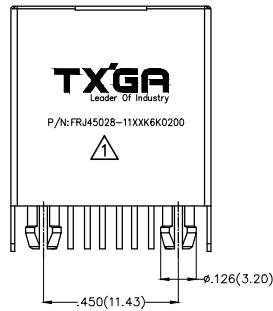
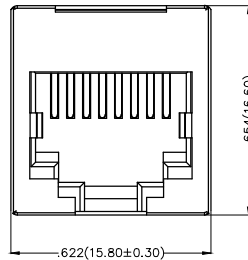
Housing: PBT UL 94V-0  
Contact: Phosphor Bronze/Gold Plated  
Shell: Copper Alloy/Nickel Plated

#### Mechanical Performances

Mating/Unmating Force: 30N Max  
Retention Strength: 50N For 60s±5s  
Durability: 750 Cycles Min.

#### Environmental Characteristics

Temperature Range—Operating: -40°C~+85°C



Recommended P.C.Board Layout

### Ordering Information

FRJ45 028 — 1 1 XX K6 K 0 2 0 0  
1 2 3 4 5 6 7 8

1   Category FRJ45—RJ45 Connector	2   Distinction No. 028	3   Ports options 1—1 Port	4   Plating 1—Gold Plated
5   Thickness of plating 00—Gold flash 03—3μ" Custom plate available	6   Color—Resin K6—Black	7   Packaging K—Tray	8   Contact type 2—Round pin

 <b>THIRD ANGLE PROJECTION</b>	GENERAL TOLERANCES (UNLESS SPECIFIED)		APPROVE BY FRANK	DATE 1/AUG/13	PART NO. △ FRJ45028-11XXK6K0200	ITEM NO. FRJ45028	 <b>TXGA</b> Leader Of Industry
	DESIGN UNITS Inch (metric)	X.±0.12(0.30) X.X±0.008(0.20)	X.±5° .X'±2°	CHECKED BY CHERRY	DATE 1/AUG/13	TITLE RJ45 Connector 8P8C 180° Vertical	
	SCALE 5:1	SIZE A4	X.XX±.006(0.15) X.XXX±.004(0.10)	.XX'±1° .XXX'±0.5°	DRAWN BY JACOB	DATE 1/AUG/13	THIS DRAWING CONTAINS INFORMATION THAT IS PROPRIETARY TO TXGA INDUSTRIAL ELECTRONICS(S.Z)CO.,LTD AND SHOULD NOT BE USED WITHOUT WRITTEN PERMISSION

REV 1 SHEET NO. 1/1

REV	LOCATIONS	DESCRIPTION	DATE	REVISER	APPD
1	△	1. Add the "TXGA" logo 2. Part No.: Change FRJ45028 into FRJ45028	31/MAY/18	Vandy	Eric

### SPECIFICATIONS

#### Electrical Performances

Current Rating: 1.5A AC(rms)/DC  
Voltage Rating: 125V AC(rms)/DC  
Contact Resistance: 30 mΩ Max  
Insulation Resistance: 500 MΩ MIN  
Withstanding Voltage: 1000V AC r.m.s  
Temperature Range—Operating: -40°C~+85°C

#### Material and Plating

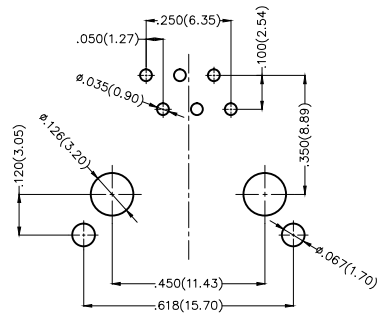
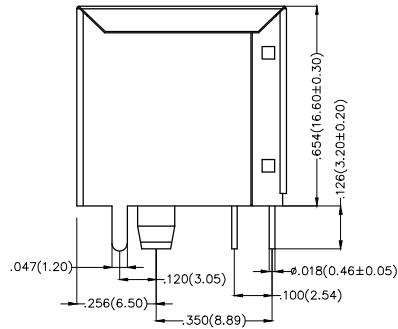
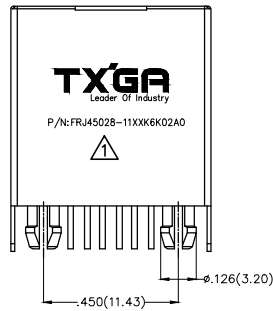
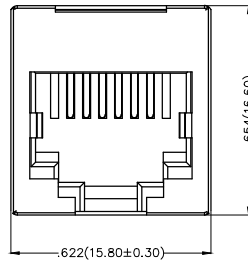
Housing: PBT UL 94V-0  
Contact: Phosphor Bronze/Gold Plated  
Shell: Copper Alloy/Nickel Plated

#### Mechanical Performances

Mating/Unmating Force: 30N Max  
Retention Strength: 50N For 60s±5s  
Durability: 750 Cycles Min.

#### Environmental Characteristics

Temperature Range—Operating: -40°C~+85°C



Recommended P.C.Board Layout

### Ordering Information

FRJ45 028 — 1 1 XX K6 K 0 2 A 0  
1 2 3 4 5 6 7 8 9

1	Category FRJ45—RJ45 Connector	2	Distinction No. 028	3	Ports options 1—1 Port	4	Plating 1—Gold Plated		
5	Thickness of plating 00—Gold flash 03—3μ" Custom plate available	6	Color—Resin K6—Black	7	Packaging K—Tray	8	Contact type 2—Round pin	9	distinction type A—A type

 THIRD ANGLE PROJECTION	GENERAL TOLERANCES (UNLESS SPECIFIED)		APPROVE BY FRANK	DATE 1/AUG/13	PART NO. △ FRJ45028-11XXK6K02A0	ITEM NO. FRJ45028	 Leader Of Industry	
	DESIGN UNITS Inch (metric)	X.±0.012(0.30) X.X±0.008(0.20)	X.±5° .X'±2°	CHECKED BY CHERRY	DATE 1/AUG/13	TITLE RJ45 Connector 6P6C 180° Vertical		REV 1
SCALE 5:1	SIZE A4	X.XX±.006(0.15) X.XXX±.004(0.10)	.XX'±1° .XXX'±0.5°	DRAWN BY JACOB	DATE 1/AUG/13	THIS DRAWING CONTAINS INFORMATION THAT IS PROPRIETARY TO TXGA INDUSTRIAL ELECTRONICS(S.Z)CO.,LTD AND SHOULD NOT BE USED WITHOUT WRITTEN PERMISSION		