

REV	LOCATIONS	DESCRIPTION	DATE	REVISER	APPD
1	△	1. Add the "TXGA" logo 2. Part No.: Change FRJ45134 into FRJ45026	31/MAY/18	KATE	ERIC

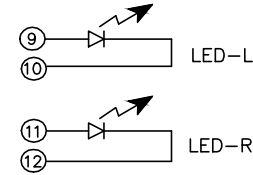
SPECIFICATIONS

Electrical

Current Rating: 1.5A AC(rms)/DC
Voltage Rating: 125V AC(rms)/DC
Contact Resistance: 50 mΩ Max
Insulation Resistance: 500 MΩ Min / DC 500V
Withstanding Voltage: 1000V AC r.m.s
Operating Temperature: -20°C~+75°C
Durability: 750 cycles Min.

Material and plating

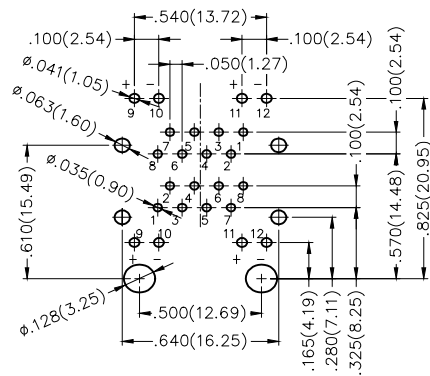
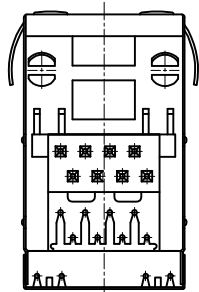
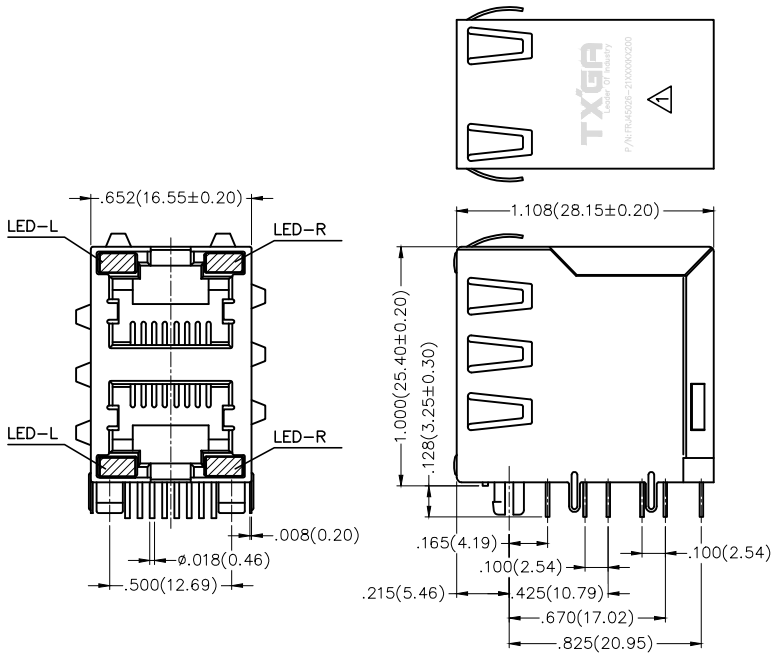
Housing: Glass filled polyester (UL 94V-0)
Contact: Phosphor bronze/ Gold plated
Shell: Copper alloy/ Nickel plated



Ordering Information

FRJ45 026 - 2 1 XX K6 K X 2 0 0
1 2 3 4 5 6 7 8 9

1 Category FRJ45-RJ45 Connector	2 Distinction No. 026	3 Ports options 2-2 Ports	4 Plating 1-Gold Plated	5 Thickness of plating 00-Gold flash 03-3μ" Custom plate available
6 Color-Resin K6-Black	7 Packaging K-Tray	8 LED style 1-L: Yellow R: Green 2-L: Green R: Yellow	9 Contact type 2-Round pin	



Recommended P.C.Board Layout

 THIRD ANGLE PROJECTION	GENERAL TOLERANCES (UNLESS SPECIFIED)		APPROVE BY FRANK	DATE 18/JAN/17	PART NO. △ FRJ45026-21XXK6KX200	ITEM NO. FRJ45026	 Leader Of Industry	
	DESIGN UNITS Inch (metric)	X.±.012(0.30) X.±5'	X.±5'	CHECKED BY CHERRY	DATE 18/JAN/17	TITLE RJ45 Connector 8P8C 90°Angle		REV 1
SCALE 5:1	SIZE A4	X.XX±.006(0.15) X.XXX±.004(0.10)	.XX±1" .XX'±0.5'	DRAWN BY KATE	DATE 18/JAN/17	THIS DRAWING CONTAINS INFORMATION THAT IS PROPRIETARY TO TXGA INDUSTRIAL ELECTRONICS(S,Z)CO.,LTD AND SHOULD NOT BE USED WITHOUT WRITTEN PERMISSION		

REV	LOCATIONS	DESCRIPTION	DATE	REVISER	APPD
1	△	1. Add the "TXGA" logo 2. Part No.: Change FRJ45134 into FRJ45026	31/MAY/18	KATE	ERIC

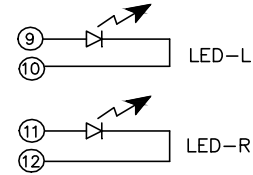
SPECIFICATIONS

Electrical

Current Rating: 1.5A AC(rms)/DC
Voltage Rating: 125V AC(rms)/DC
Contact Resistance: 50 mΩ Max
Insulation Resistance: 500 MΩ Min / DC 500V
Withstanding Voltage: 1000V AC r.m.s
Operating Temperature: -20°C~+75°C
Durability: 750 cycles Min.

Material and plating

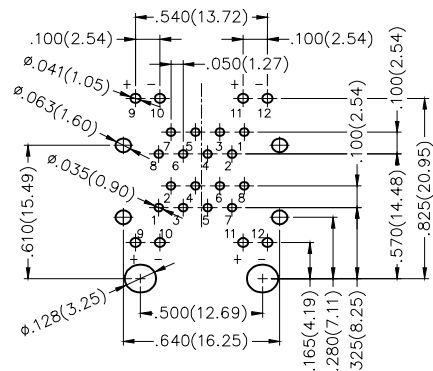
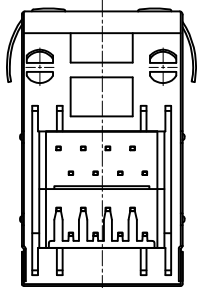
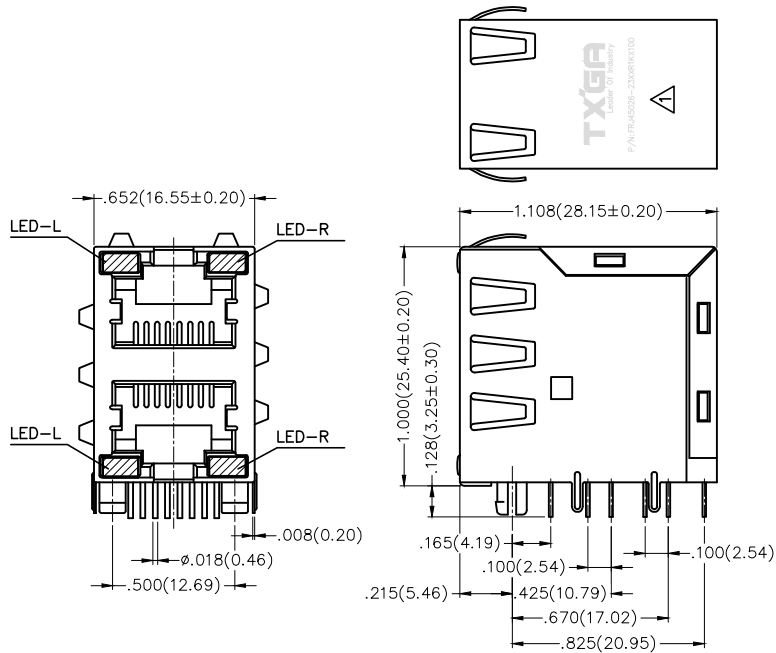
Housing: Glass filled polyester (UL 94V-0), Black
Contact: Phosphor bronze/ Selective gold in contact area, tin on tail
Shell: Copper alloy/ Nickel plated




Ordering Information

FRJ45 026 - 2 3 XX R1 K X 1 0 0
1 2 3 4 5 6 7 8 9

1 Category FRJ45-RJ45 Connector	2 Distinction No. 026	3 Ports options 2-2 Ports	4 Plating 3-Selective gold in contact area, tin on tail	5 Thickness of plating 00-Gold flash 03-3μ" Custom plate available
6 Color-Resin R1-Red	7 Packaging K-Tray	8 LED style 1-L: Yellow R: Green 2-L: Green R: Yellow	9 Contact type 1-Square pin	



Recommended P.C.Board Layout

THIRD ANGLE PROJECTION	GENERAL TOLERANCES (UNLESS SPECIFIED)		APPROVE BY FRANK	DATE 18/JAN/17	PART NO. △ FRJ45026-23XXR1KX100	ITEM NO. FRJ45026	 Leader Of Industry
	DESIGN UNITS Inch (metric)	X.±.012(0.30) X.±5'	CHECKED BY CHERRY	DATE 18/JAN/17	TITLE RJ45 Connector 8P8C 90°Angle		
SCALE 5:1	SIZE A4	X.XX±.006(0.15) X.XX±.004(0.10)	DRAWN BY KATE	DATE 18/JAN/17	THIS DRAWING CONTAINS INFORMATION THAT IS PROPRIETARY TO TXGA INDUSTRIAL ELECTRONICS(S,Z)CO.,LTD AND SHOULD NOT BE USED WITHOUT WRITTEN PERMISSION		