

REV	LOCATIONS	DESCRIPTION	DATE	REVISER	APPD
1	△	1. Add the "TXGA" logo 2. Part No.: Change FRJ4507 into FRJ45007	01/JUN/18	Vandy	Eric

SPECIFICATIONS

Electrical Performances

Current Rating: 1.5A AC(rms)/DC
Voltage Rating: 125V AC(rms)/DC
Contact Resistance: 30 mΩ Max
Insulation Resistance: 500 MΩ MIN
Withstanding Voltage: 1000V AC r.m.s

Material and Plating

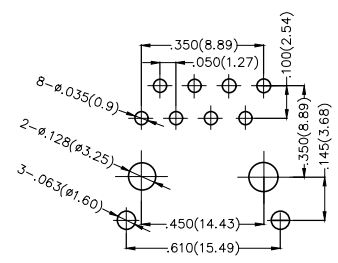
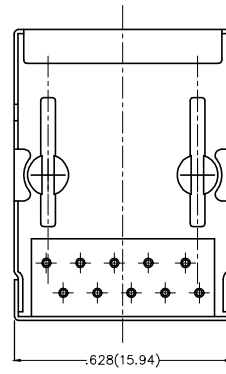
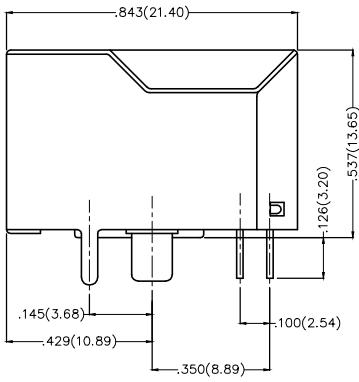
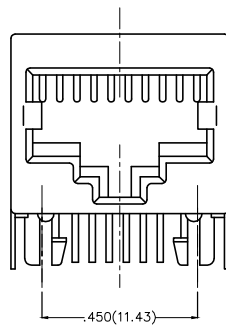
Housing: PBT (UL 94V-0)
Contact: Phosphor Bronze/ Gold Plated
Shell: Copper Alloy/ Nickel Plated

Mechanical Performances

Mating/Unmating Force: 30N Max
Retention Strength: 50N For 60s±5s
Durability: 750 Cycles Min.

Environmental Characteristics

Temperature Range-Operating: -40°C ~+85°C



Recommended P.C.Board Layout

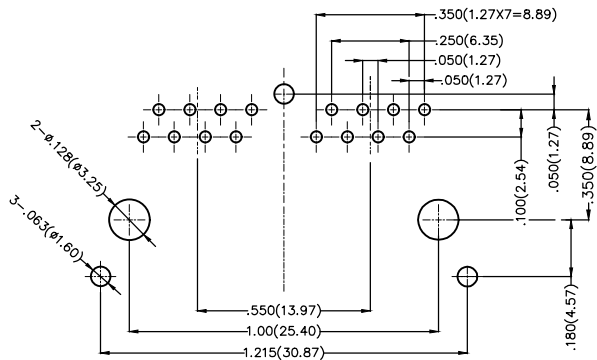
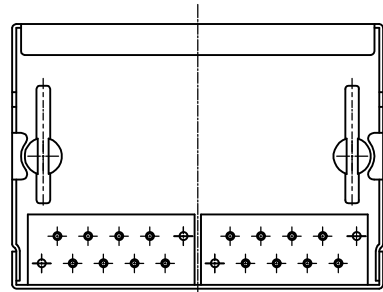
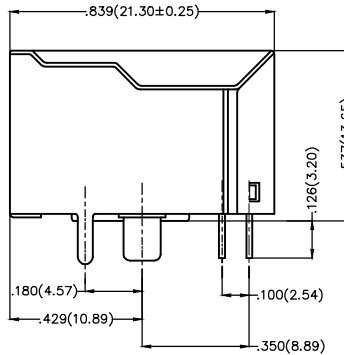
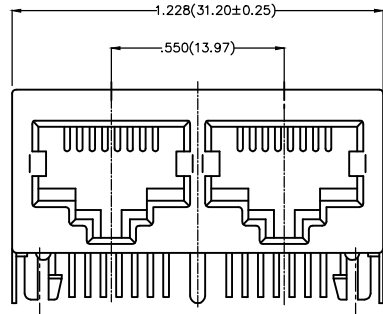
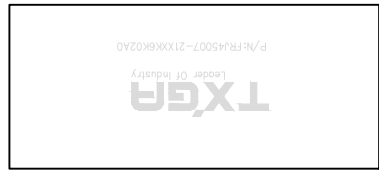
Ordering Information

FRJ45 007 — 1 1 XX K6 K 0 2 B 0
1 2 3 4 5 6 7 8 9

1 Category FRJ45-RJ45 Connector	2 Distinction No. 007	3 Ports options 1-1 Port	4 Plating 1-Gold Plated
5 Thickness of plating 00-Gold flash 03-3μ" Custom plate available	6 Color-Resin K6-Black	7 Packaging K-Tray	8 Contact type 2-Round pin
			9 distinction type B-B type

 THIRD ANGLE PROJECTION	GENERAL TOLERANCES (UNLESS SPECIFIED)		APPROVE BY FRANK	DATE 1/AUG/13	PART NO. △ FRJ45007-11XXK6K02B0	ITEM NO. FRJ45007	 TXGA Leader Of Industry	
	X.±.012(0.30)	X.±5'	CHECKED BY CHERRY	DATE 1/AUG/13	TITLE RJ45 Connector 8P8C 90° Angle			REV 1
	DESIGN UNITS Inch (metric)	X.X±.008(0.20)	.X±2'	DRAWN BY JACOB	DATE 1/AUG/13	THIS DRAWING CONTAINS INFORMATION THAT IS PROPRIETARY TO TXGA INDUSTRIAL ELECTRONICS(S.Z)CO.,LTD AND SHOULD NOT BE USED WITHOUT WRITTEN PERMISSION		
	SCALE 5:1	SIZE A4	X.XX±.006(0.15)					

REV	LOCATIONS	DESCRIPTION	DATE	REVSER	APPD
1	△	1. Add the "TXGA" logo 2. Part No.: Change FRJ4507 into FRJ45007	01/JUN/18	Vandy	Eric



Recommended P.C.Board Layout

SPECIFICATIONS

Electrical Performances

Current Rating: 1.5A AC(rms)/DC
Voltage Rating: 125V AC(rms)/DC
Contact Resistance: 30 mΩ Max
Insulation Resistance: 500 MΩ MIN
Withstanding Voltage: 1000V AC r.m.s

Material and Plating

Housing: PBT (UL 94V-0)
Contact: Phosphor Bronze/ Gold Plated
Shell: Copper Alloy/ Nickel Plated

Mechanical Performances

Mating/Unmating Force: 30N Max
Retention Strength: 50N For 60s±5s
Durability: 750 Cycles Min.

Environmental Characteristics

Temperature Range-Operating: -40°C~+85°C

Ordering Information

FRJ45 007 - 2 1 XX K6 K 0 2 A 0
1 2 3 4 5 6 7 8 9

1 Category FRJ45-RJ45 Connector	2 Distinction No. 007	3 Ports options 2-2 Port	4 Plating 1-Gold Plated
5 Thickness of plating 00-Gold flash 03-3μ" Custom plate available	6 Color-Resin K6-Black	7 Packaging K-Tray	8 Contact type 2-Round pin
			9 distinction type A-A type

THIRD ANGLE PROJECTION	GENERAL TOLERANCES (UNLESS SPECIFIED)		APPROVE BY FRANK	DATE 15/JUN/16	PART NO. △ FRJ45007-21XXK6K02A0	ITEM NO. FRJ45007	 Leader Of Industry	
	DESIGN UNITS Inch (metric)	X.±.012(0.30) X.X±.008(0.20) X.XX±.006(0.15) X.XXX±.004(0.10)	X.±5" .X±2" .XX±1" .XXX±0.5"	CHECKED BY JACOB	DATE 15/JUN/16	TITLE RJ45 Connector 8P8C 90° Angle		REV 1
SCALE 5:1	SIZE A4		DRAWN BY CHERRY	DATE 15/JUN/16	THIS DRAWING CONTAINS INFORMATION THAT IS PROPRIETARY TO TXGA INDUSTRIAL ELECTRONICS(S.Z)CO.,LTD AND SHOULD NOT BE USED WITHOUT WRITTEN PERMISSION			