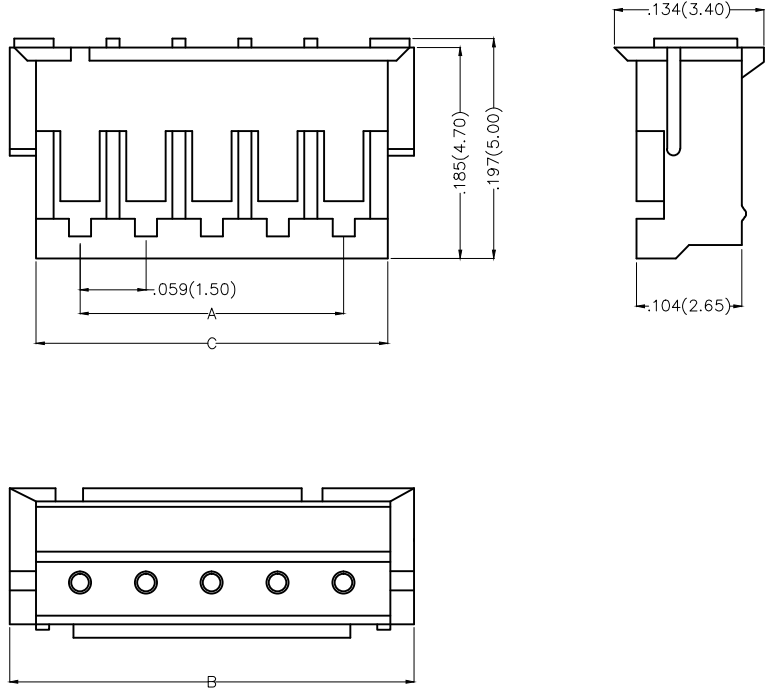


REV	LOCATIONS	DESCRIPTION	DATE	REVISER	APPD

Electrical  
 Temperature Range—Operating: -25°C~+85°C  
 Material  
 Housing: PA66( UL 94V-0)  
 Applicable Terminal: FT15001  
 Mates With(Wafer): FWF15001,FWF15003,FWF15004,  
 FWF15005,FWF15007 Series.



Circuits (n)	Part No.	Dimensions(in/mm)		
		A	B	C
2	FHG15001-S02M2W1B	.059(1.50)	.177(4.50)	.169(3.40)
3	FHG15001-S03M2W1B	.118(3.00)	.236(6.00)	.228(4.90)
4	FHG15001-S04M2W1B	.177(4.50)	.295(7.50)	.287(6.40)
5	FHG15001-S05M2W1B	.236(6.00)	.354(9.00)	.346(7.90)
6	FHG15001-S06M2W1B	.295(7.50)	.413(10.50)	.406(9.40)
7	FHG15001-S07M2W1B	.354(9.00)	.472(12.00)	.465(10.90)
8	FHG15001-S08M2W1B	.413(10.50)	.531(13.50)	.524(12.40)
9	FHG15001-S09M2W1B	.472(12.00)	.591(15.00)	.583(13.90)
10	FHG15001-S10M2W1B	.531(13.50)	.650(16.50)	.642(15.40)
11	FHG15001-S11M2W1B	.591(15.00)	.709(18.00)	.701(16.90)
12	FHG15001-S12M2W1B	.650(16.50)	.768(19.50)	.760(18.40)

### Ordering Information

FHG 150 01 — S XX M 2 W1 B  
 1 2 3 4 5 6 7 8 9

1	Category FHG-Housing	2	Series Number 150-Pitch1.50mm	3	Distinction No. 01	4	Row Option Single Row	5	Circuits XX
6	Entry Type M-Male	7	Material-Resin 2-PA66	8	Color-Resin W1-White	9	Packaging B-PE Bag		

 THIRD ANGLE PROJECTION	GENERAL TOLERANCES (UNLESS SPECIFIED)		APPROVE BY FRANK	DATE 25/JUN/13	PART NO. FHG15001-SXXM2W1B	ITEM NO. FHG15001	 Leader Of Industry	
	DESIGN UNITS Inch (metric)	X.X±.012(0.30)	X.±5'	CHECKED BY JACOB	DATE 25/JUN/13	TITLE Wire to Board Pitch 1.5mm(Housing)		REV 0
SCALE 5:1	SIZE A4	X.XX±.008(0.20)	X.±2'	DRAWN BY CHERRY	DATE 25/JUN/13	THIS DRAWING CONTAINS INFORMATION THAT IS PROPRIETARY TO TXGA INDUSTRIAL ELECTRONICS(S.Z)CO.,LTD AND SHOULD NOT BE USED WITHOUT WRITTEN PERMISSION		
		X.XX±.006(0.15)	.XX±1'					
		X.XXX±.004(0.10)	.XXX±0.5'					