

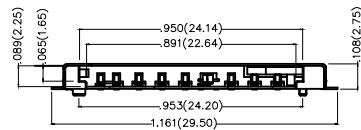
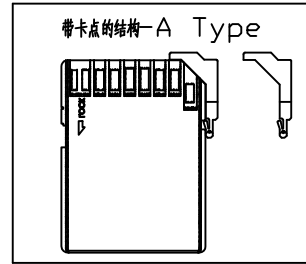
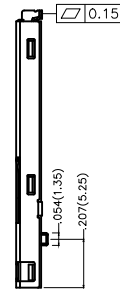
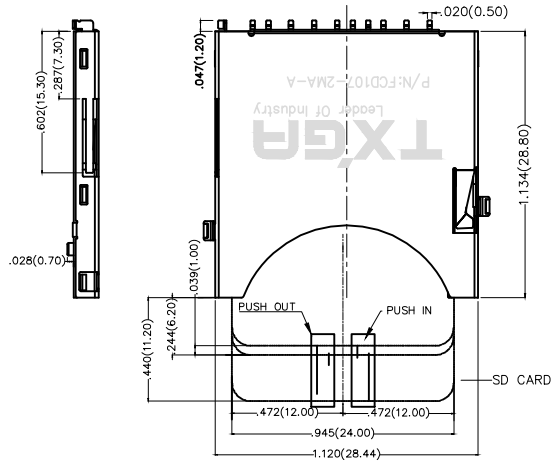
| REV | LOCATIONS | DESCRIPTION | DATE | REVISER | APPD |
|-----|-----------|-------------|------|---------|------|
| | | | | | |

Electrical

Current Rating: 0.5A AC(rms)/DC
Voltage Rating: 100V AC(rms)/DC
Contact Resistance: 80 mΩ Max
Insulation Resistance: 1000 MΩ MIN
Withstanding Voltage: 500V AC r.m.s
Temperature Range-Operating: -25°C~+80°C

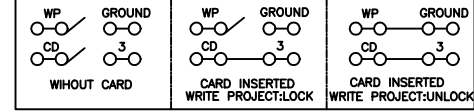
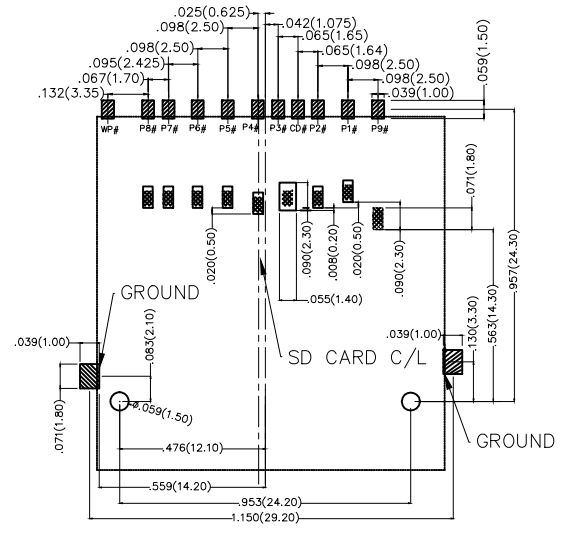
Material and Plating

Housing: High Temperature Plastic(UL 94V-0)
Contact Pin: Phosphor Bronze
Plating: Gold Plated/Tin Plated
Durability: 10,000 Times



| | | | | | | | |
|-------------------------------|--|-----------------|---------------------|----------------------|--------------------------|--|------------------------|
| THIRD ANGLE PROJECTION | GENERAL TOLERANCES (UNLESS SPECIFIED) | | APPROVE BY FRANK | DATE 31/JUL/13 | PART NO. FCD107-2MA-A | ITEM NO. FCD107-A | Leader Of Industry |
| | DESIGN UNITS Inch (metric) | X.±.012(0.30) | X.'±5' | CHECKED BY CHERRY | DATE 31/JUL/13 | TITLE SD card connector(H:2.75mm) (Push to Push) | |
| SCALE 5:1 | SIZE A4 | X.XX±.006(0.15) | .XX'±1' | DRAWN BY JACOB | DATE 31/JUL/13 | THIS DRAWING CONTAINS INFORMATION THAT IS PROPRIETARY TO TXGA INDUSTRIAL ELECTRONICS(S.Z)CO.,LTD AND SHOULD NOT BE USED WITHOUT WRITTEN PERMISSION | |
| | | | | | | REV 0 | SHEET NO. 1/2 |

| REV | LOCATIONS | DESCRIPTION | DATE | REVISER | APPD |
|-----|-----------|-------------|------|---------|------|
| | | | | | |



| Pin No. | Pin Assignmng | TYPE | DESCRIPTION |
|---------|---------------|--------|-----------------------------|
| 1 | CD/DAT3 | 1/0/PP | Caed Detect/Date Line(bit3) |
| 2 | CMD | PP | Command/Response |
| 3 | VSS1 | S | Supply Voltage Ground |
| 4 | VDD | S | Supply Voltage |
| 5 | CLK | I | Colck |
| 6 | VSS2 | S | Supply Voltage Ground |
| 7 | DAT0 | 1/0/PP | Date Line(bit0) |
| 8 | DAT1 | 1/0/PP | Date Line(bit1) |
| 9 | DAT2 | 1/0/PP | Date Line(bit2) |

Recommended P.C.Board Layout

- Pad Area
- Keep Out Area

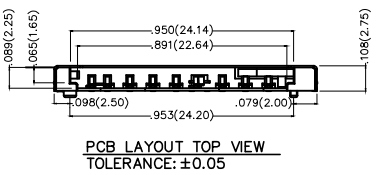
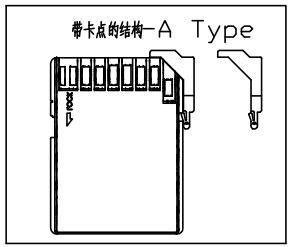
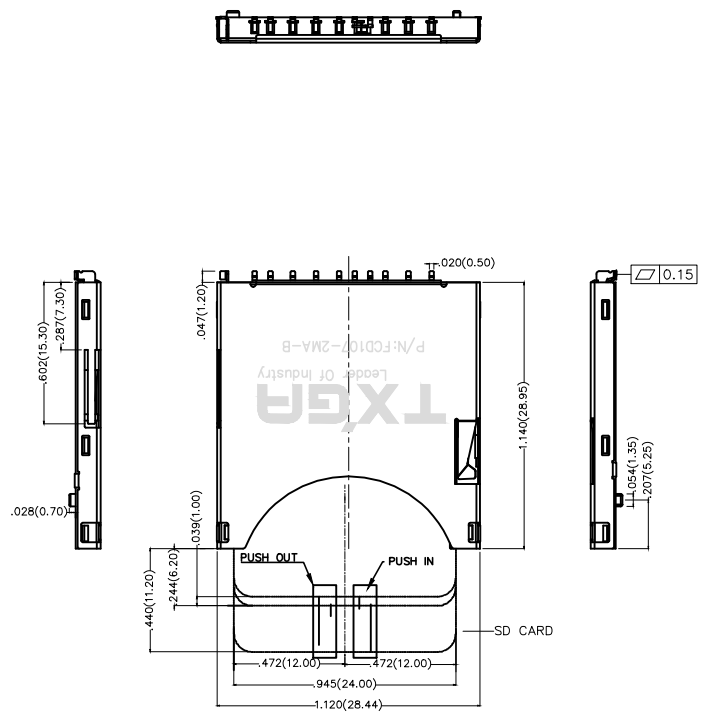
| | | | | | | | | |
|-----------------------------------|---------------------------------------|-----------------|------------|------------|--|---|------------------------|-------|
| THIRD ANGLE PROJECTION | GENERAL TOLERANCES (UNLESS SPECIFIED) | | APPROVE BY | DATE | PART NO. | ITEM NO. | Leader Of Industry | |
| | X.±.012(0.30) | X.'±5' | FRANK | 31/JUL/13 | FCD107-2MA-A | FCD107-A | | |
| | DESIGN UNITS Inch (metric) | X.X±.008(0.20) | X.'±2' | CHECKED BY | DATE | TITLE | | REV 0 |
| | SCALE | X.XX±.006(0.15) | .XX'±1' | CHERRY | 31/JUL/13 | SD card connector(H:2.75mm) (Push to Push) | | |
| SIZE | X.XXX±.004(0.10) | .XXX'±0.5' | DRAWN BY | DATE | THIS DRAWING CONTAINS INFORMATION THAT IS PROPRIETARY TO TXGA INDUSTRIAL ELECTRONICS(S.Z)CO.,LTD AND SHOULD NOT BE USED WITHOUT WRITTEN PERMISSION | | | |
| 5:1 | A4 | | JACOB | 31/JUL/13 | | | | |

1 2 3 4 5 6 7 8

| REV | LOCATIONS | DESCRIPTION | DATE | REVISER | APPD |
|-----|-----------|-------------|------|---------|------|
| | | | | | |

Electrical
 Current Rating: 0.5A AC(rms)/DC
 Voltage Rating: 100V AC(rms)/DC
 Contact Resistance: 80 mΩ Max
 Insulation Resistance: 1000 MΩ MIN
 Withstanding Voltage: 500V AC r.m.s
 Temperature Range-Operating: -25°C ~+80°C

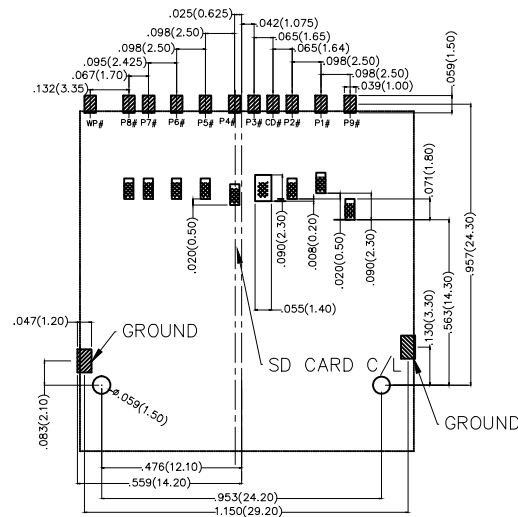
Material and Plating
 Housing: High Temperature Plastic(UL 94V-0)
 Contact Pin: Phosphor Bronze
 Plating: Gold Plated/Tin Plated
 Durability: 10,000 Times



| | | | | | | | | |
|----------------------------|---------------------------------------|-----------------|----------------------|-------------------|--|--|------------------------|-------|
| THIRD ANGLE PROJECTION | GENERAL TOLERANCES (UNLESS SPECIFIED) | | APPROVE BY FRANK | DATE 31/JUL/13 | PART NO. FCD107-2MA-B | ITEM NO. FCD107-B | Leader Of Industry | |
| | X.±0.012(0.30) | X.'±5' | CHECKED BY CHERRY | DATE 31/JUL/13 | TITLE SD card connector(H:2.75mm) (Push to Push) | | | REV 0 |
| | DESIGN UNITS Inch (metric) | X.XX±.008(0.20) | .X'±2' | DRAWN BY JACOB | DATE 31/JUL/13 | THIS DRAWING CONTAINS INFORMATION THAT IS PROPRIETARY TO TXGA INDUSTRIAL ELECTRONICS(S.Z)CO.,LTD AND SHOULD NOT BE USED WITHOUT WRITTEN PERMISSION | | |
| | SCALE 5:1 | SIZE A4 | X.XX±.006(0.15) | .XX'±1' | | | | |

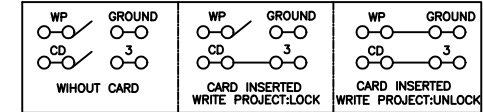
1 2 3 4 5 6 7 8

| REV | LOCATIONS | DESCRIPTION | DATE | REVISER | APPD |
|-----|-----------|-------------|------|---------|------|
| | | | | | |



Recommended P.C.Board Layout

Pad Area
 Keep Out Area



| Pin No. | Pin Assignmeng | TYPE | DESCRIPTION |
|---------|----------------|--------|-----------------------------|
| 1 | CD/DAT3 | 1/O/PP | Caed Detect/Date Line(bit3) |
| 2 | CMD | PP | Command/Response |
| 3 | VSS1 | S | Supply Voltage Ground |
| 4 | VDD | S | Supply Voltage |
| 5 | CLK | I | Colck |
| 6 | VSS2 | S | Supply Voltage Ground |
| 7 | DATO | 1/O/PP | Date Line(bit0) |
| 8 | DAT1 | 1/O/PP | Date Line(bit1) |
| 9 | DAT2 | 1/O/PP | Date Line(bit2) |

| | | | | | | | |
|---|--|--|--|---|--|--|---|
| THIRD ANGLE PROJECTION DESIGN UNITS Inch (metric) SCALE 5:1 SIZE A4 | GENERAL TOLERANCES (UNLESS SPECIFIED) X.±.012(0.30) X.'±5' X.X±.008(0.20) .X'±2' X.XX±.006(0.15) .XX'±1' X.XXX±.004(0.10) .XXX'±0.5' | | APPROVE BY FRANK CHECKED BY CHERRY DRAWN BY JACOB | DATE 31/JUL/13 DATE 31/JUL/13 DATE 31/JUL/13 | PART NO. FCD107-2MA-B TITLE SD card connector(H:2.75mm) (Push to Push) | ITEM NO. FCD107-B THIS DRAWING CONTAINS INFORMATION THAT IS PROPRIETARY TO TXGA INDUSTRIAL ELECTRONICS(S.Z)CO.,LTD AND SHOULD NOT BE USED WITHOUT WRITTEN PERMISSION | Leader Of Industry REV 0 SHEET NO. 2/2 |
|---|--|--|--|---|--|--|---|