

**TXC CORPORATION**

4F, NO. 16, Sec. 2 Chung Yang S Rd., Peitou, Taipei, Taiwan.

TEL : 886-2-2894-1202 , 886-2-2895-2201 FAX : 886-2-2894-1206 , 886-2-2895-6207

www.txccorp.com

# SPECIFICATION FOR APPROVAL

CN: 1509015844

CUSTOMER : \_\_\_\_\_

PRODUCT TYPE : HC-49/S SMD

NOMINAL FREQ. : 4.096000MHz

TXC P/N : AT04000025

REVISION : S1

CUSTOMER P/N : \_\_\_\_\_

PM / SALES : \_\_\_\_\_

DATE : \_\_\_\_\_

CUSTOMER SIGNATURE & Date  
 \_\_\_\_\_  
 \_\_\_\_\_

- (1) TXC requires one copy returned with signature and title of authorized individual that signifies acceptance of the attached specifications.
- (2) Orders received and accepted by TXC after return of signed copy of specification will be produced per these specifications.
- (3) Any changes to these specifications must be agreed upon by both parties and new revision of the Product Specification Sheet will be issued.
- (4) Any issuance of purchase order prior to consigning back the Approval page of "Specification Sheets" from customers will be regarded as the agreement on the contents of these specifications.

Attachment: Product Specification Sheet

- 1
- 2
- 3
- 4
- 5

**RoHS Compliant**



**TXC CORPORATION**

4F, NO. 16, Sec. 2 Chung Yang S Rd., Peitou, Taipei, Taiwan.

TEL : 886-2-2894-1202 , 886-2-2895-2201 FAX : 886-2-2894-1206 , 886-2-2895-6207

www.txccorp.com

# PRODUCT SPECIFICATION SHEET

CN: 1509015844

PRODUCT TYPE : HC-49/S SMD

NOMINAL FREQ. : 4.096000MHz

TXC P/N : AT04000025

REVISION : S1

PE/RD	QA	MFG
Wen yuan Chang wen yuan Chang		
10-Oct-15		

**NOTE:**

(1)The green product standard set by TXC is based upon the international standards. Related information is publicly described on the TXC's Website, and updated regularly. The document is compliant with the latest green product quality system directives at the time.

(2)Revision "Sx" is for engineering samples only. PE/RD's approval required.

(3)Revision "Ax" is production ready. PE, QA and MFG's approval required

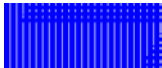
**RoHS Compliant**





## Spec Sheet Contents

No.	Content	Page
1	ELECTRICAL SPECIFICATIONS	P.3
2	DIMENSIONS	P.4
3	SUGGESTED REFLOW PROFILE& MANUAL SOLDER CONDITION	P.4
4	FACTORY LOCATION	P.5
5	MARKING	P.5
6	STRUCTURE ILLUSTRATION	P.6
7	EMBOSS CARRIER TAPE & REEL	P.7
8	PACKING	P.7
9	RELIABILITY SPECIFICATIONS	P.8~9



**ELECTRICAL SPECIFICATIONS**

Standard atmospheric conditions

Unless otherwise specified, the standard range of atmospheric conditions for making measurement and tests are as follow:

- Ambient temperature : 25+/-5°C
- Relative humidity : 40%~70%

If there is any doubt about the results, measurement shall be made within the following limits:

- Ambient temperature : 25+/-1°C
- Relative humidity : 40%~70%

Measure equipment

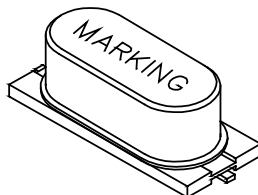
SAUNDERS 250A/250B CRYSTAL IMPEDANCE METER.

Crystal cutting type

The crystal is using AT CUT (thickness shear mode).

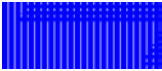
**Unit Weight:**

0.58±0.050 g/pcs



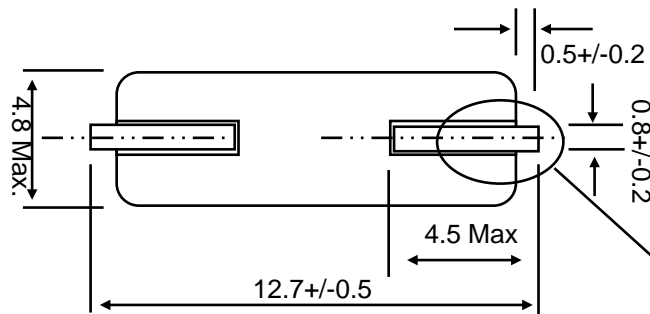
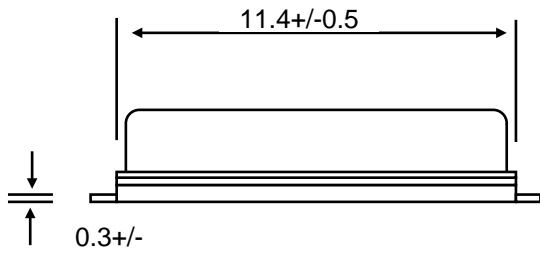
please refer to marking code page

	Parameters	SYM.	Electrical Spec.				Notes
			MIN	TYP	MAX	UNITS	
1	Nominal Frequency	FL	4.096000			MHz	-
2	Oscillation Mode	-	Fundamental			-	-
3	Load Capacitance	CL	12			pF	-
4	Frequency Tolerance	-	±30			ppm	at 25 °C ± 3 °C
5	Frequency Stability	-	±70			ppm	Over Operating Temp. Range (Reference 25°C)
6	Operating Temperature	-	-40	~	105	°C	-
7	Aging	-	±5			ppm	1st Year
8	Drive Level	DL	-	50	100	uW	-
9	Effective Resistance Rr	Rr	-	-	100	Ω	-
10	Shunt Capacitance C0	C0	-	-	7	pF	-
11	Insulation Resistance	-	500	-	-	MΩ	at DC 100V
12	Storage Temperature Range	-	-40	~	105	°C	-



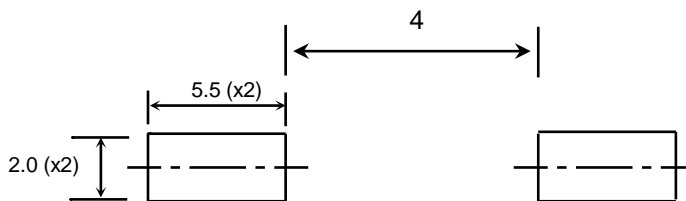
**DIMENSIONS**

UNIT:mm



Solder Coating  
(Sn-Ag-Cu Pb Free Coating)

**Suggested Layout**

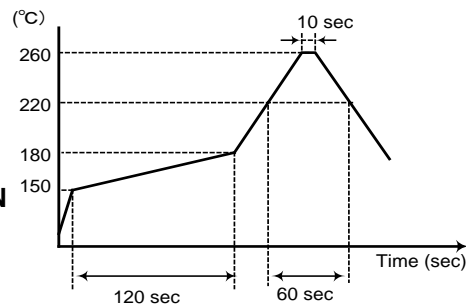


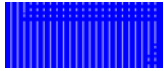
**SUGGESTED REFLOW PROFILE**

Solder melting point :220±10 °C, 60 sec. Min.  
Peak Temperature: 260 ± 5 °C, 10 sec. Max.

**SUGGESTED MANUAL SOLDER CONDITION**

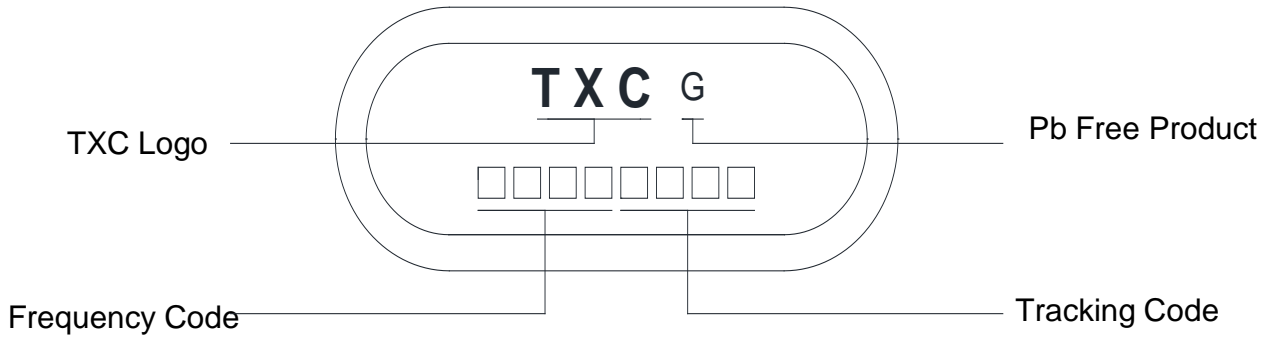
Temperature: 350 ± 10 °C  
Time: 3 sec.  
Re-solder times: twice





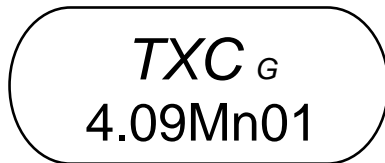
**MARKING**

**Marking For Pb Free Parts :**

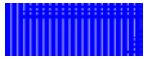


Production Location:China(Ningbo)

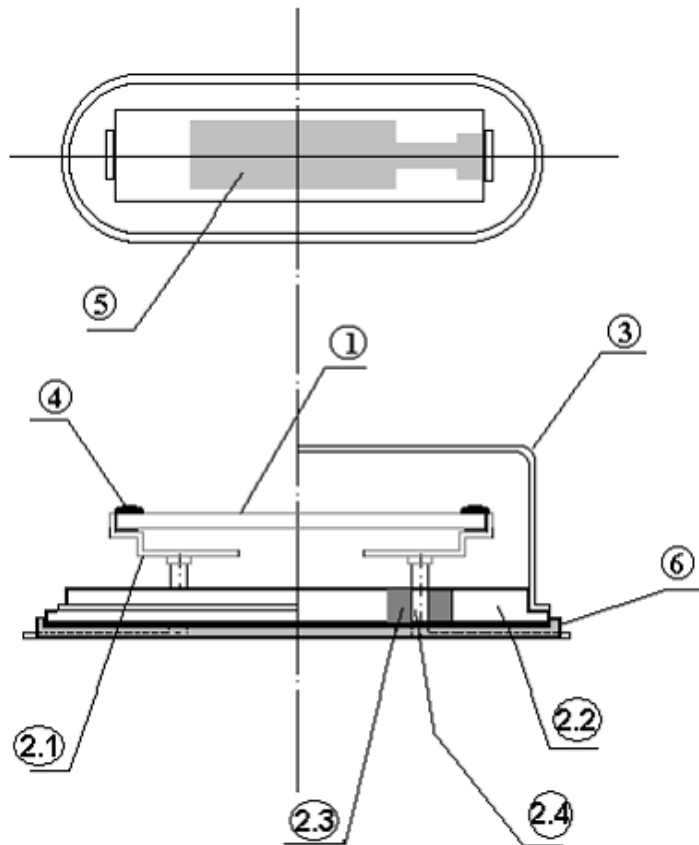
**For example : Marking**



Introduction : Pb Free Product  
 49S/SMD 4.096000 MHz  
 Made in NGB 2008/JAN 01Lot

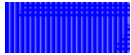


■ STRUCTURE ILLUSTRATION



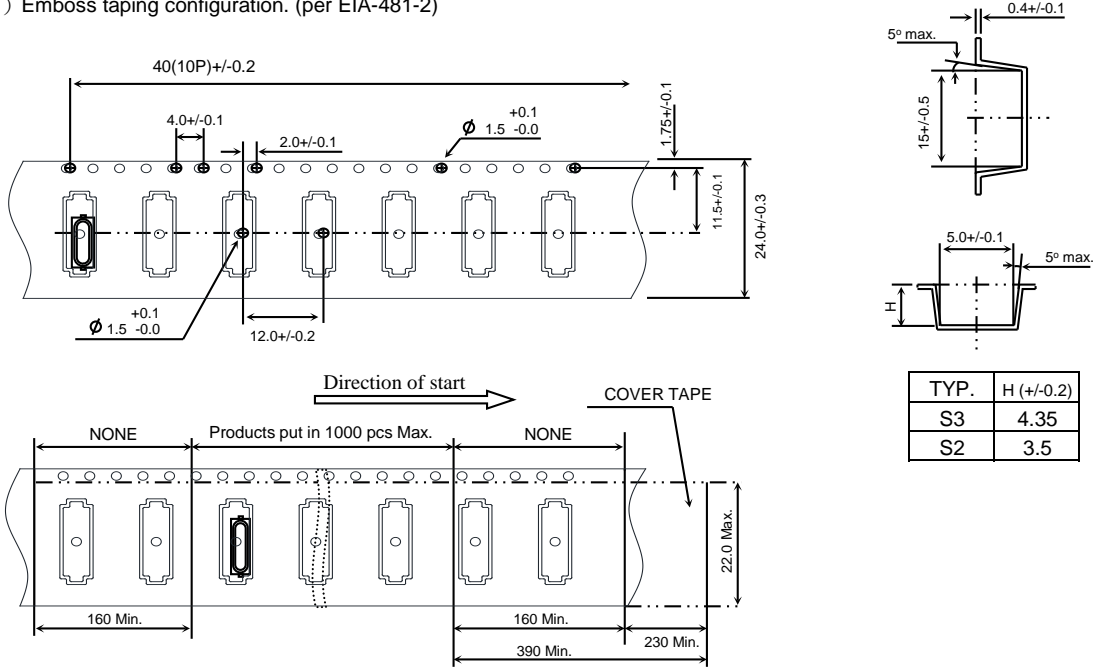
NO	COMPONENTS	MATERIALS	FINISH/SPECIFICATIONS	
1	CRYSTAL BLANK	QUARTZ(SiO <sub>2</sub> )	-	
2	CRYSTAL BASE	SUPPORTER	Nickel Silver(Cu/Zn/Ni)	
		HOLDER	SPCC(Fe)	Ni Plated
		GLASS	GLASS	-
		LEAD	Kovar (Fe/Co/Ni)	Ni Plated+Solder( Sn/Ag/Cu) Dipped
3	CRYSTAL COVER	Nickel Silver(Cu/Zn/Ni)	Ni Plated	
4	CONDUCTIVE ADHESIVE	Resin + Ag	-	
5	ELECTRODE	Noble Metal	-	
6	INSULATION PAD	PPS	-	





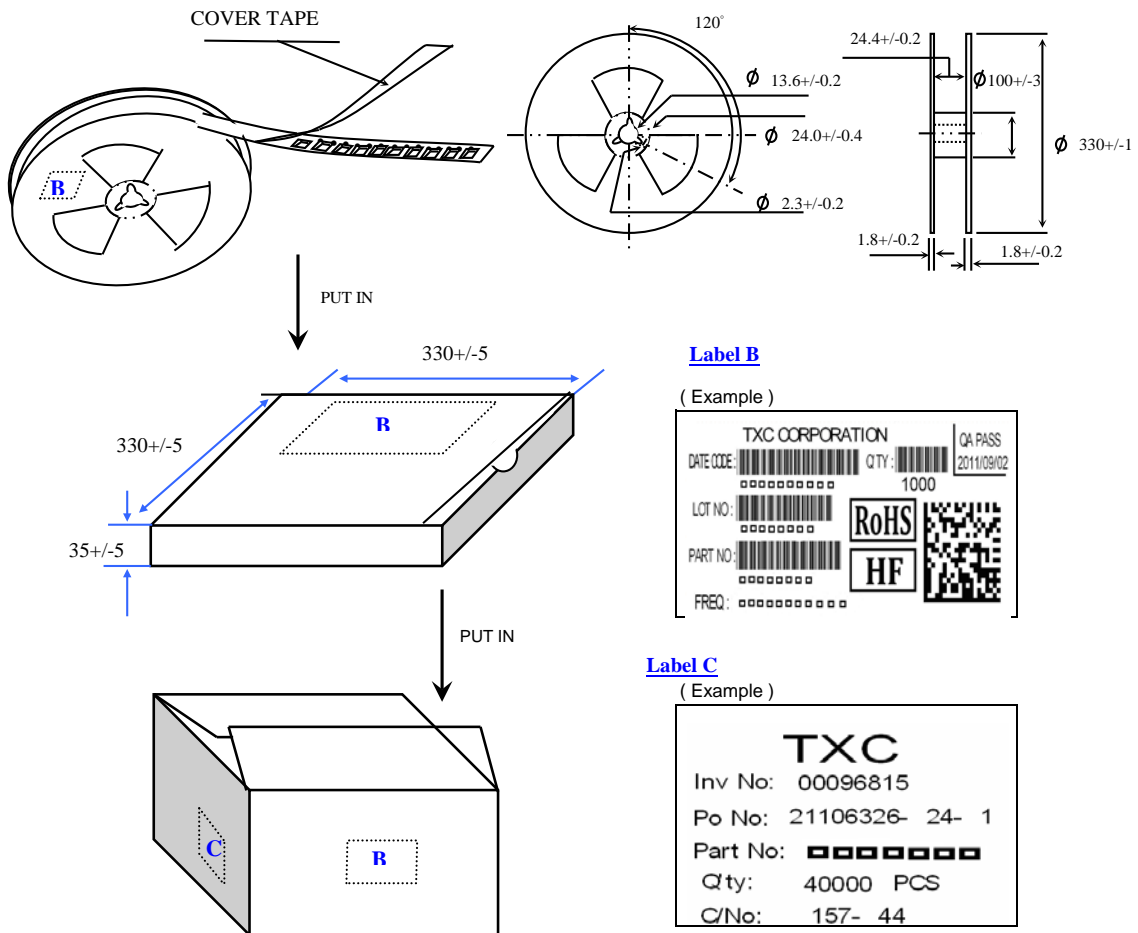
**(A) Tape and reel configuration:(Unit : mm)**

(a) Emboss taping configuration. (per EIA-481-2)



(b) Reel configuration.

**(B) Packing & Label :(Unit : mm)**



# Put in stuff between space.

**[STORAGE]**

1. Don't be caught in the rain.
2. The storage environment shall be 5°C ~40°C temperature and 30% ~ 75%RH humidity and free from the sun shine.
3. If customers have special requirements, we can paste labels according to it.

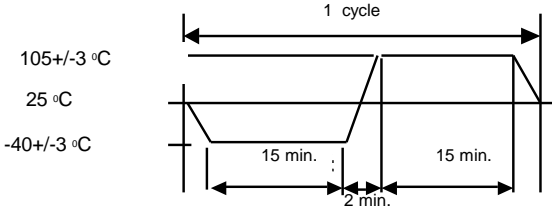


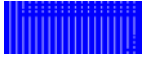
## ■ RELIABILITY SPECIFICATIONS (AEC-Q200 Compliant)

### 1. Mechanical Endurance

No.	Test Item	Test Methods	Test Criteria
1.1	Mechanical Shock	1000 G , 0.5 m Sec. , 3 times for all 3 directions.	B C
1.2	Vibration	Frequency range 10 ~ 2000 Hz Acceleration 20 G Sweep time 20 minute Ppendicular axes each test time 4 hours (Total test time 12 hours)	B C
1.3	Terminal Strength	17.7N force for 60sec +/-1sec.	F
1.4	Board Flex	Duration time:60 Sec Minimum,Deviation:3mm	B C
1.5	Solderability	Temperature 245 °C +/- 5°C Immersing depth 0.5 mm minimum Immersion time 5 +/- 0.5 seconds Flux Rosin resin methyl alcohol solvent ( 1 : 4 )	E

### 2. Environmental Endurance

No.	Test Item	Test Methods	SPEC
2.1	Resistance To Soldering Heat	Test temperature 260 +/- 5 °C Test time 10 +/- 1 sec.	ACD
2.2	High Temp. Storage	+ 105°C ± 3 °C for 1000 ± 12 Hrs	ACD
2.3	Low Temp. Storage	- 40 °C ± 3 °C for 1000 ± 12 Hrs	ACD
2.4	Temperature cycle	-40°C ~105°C, for 1000 cycles. 	ACD
2.5	Operational Life	1000 hrs @ 105± 3°C. Rated VDD applied with 1 MΩ.	ACD
2.6	High Temp & Humidity	85°C ± 3°C , RH 85% , 1000 Hrs	ACD



**RELIABILITY SPECIFICATIONS**

Specifications	
A	Frequency change: Within $\pm 20$ ppm or in customer's specification.
B	Frequency change: Within $\pm 10$ ppm or in customer's specification.
C	Equivalent series resistance(E.S.R) change: Within $\pm 15\%$ or $10\Omega$ (larger value).
D	After conditioning , quartz crystal units shall be subjected to standard atmospheric conditions for 24 hour, and measured.
E	Minimum 95% of immersed terminal shall be covered with new uniform solder.
F	No damage on specimen

**Measurement condition**

Measurements are carried out with Network-analyzer( S&A 250B or equivalent).