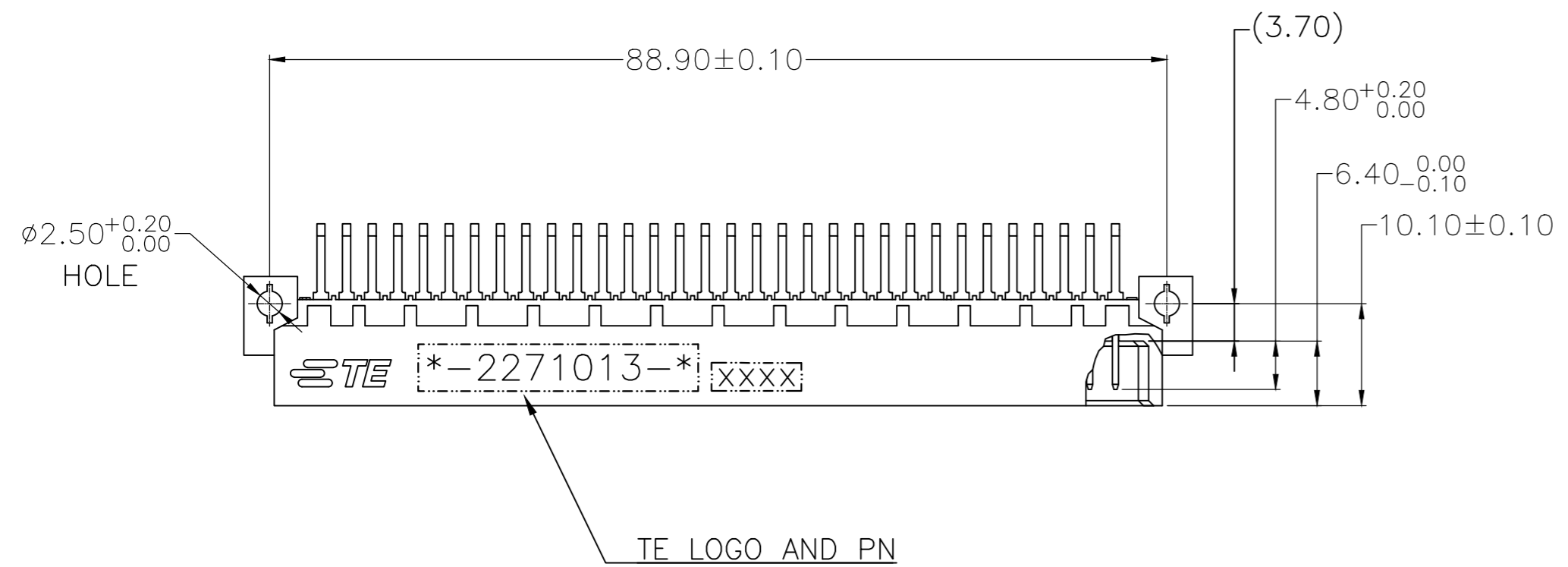
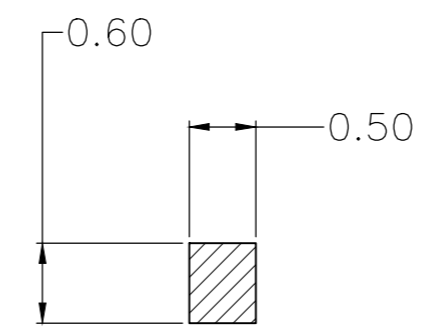
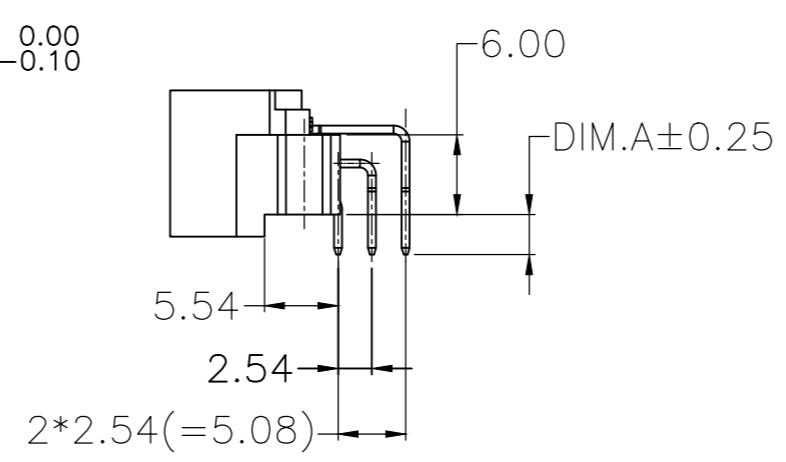
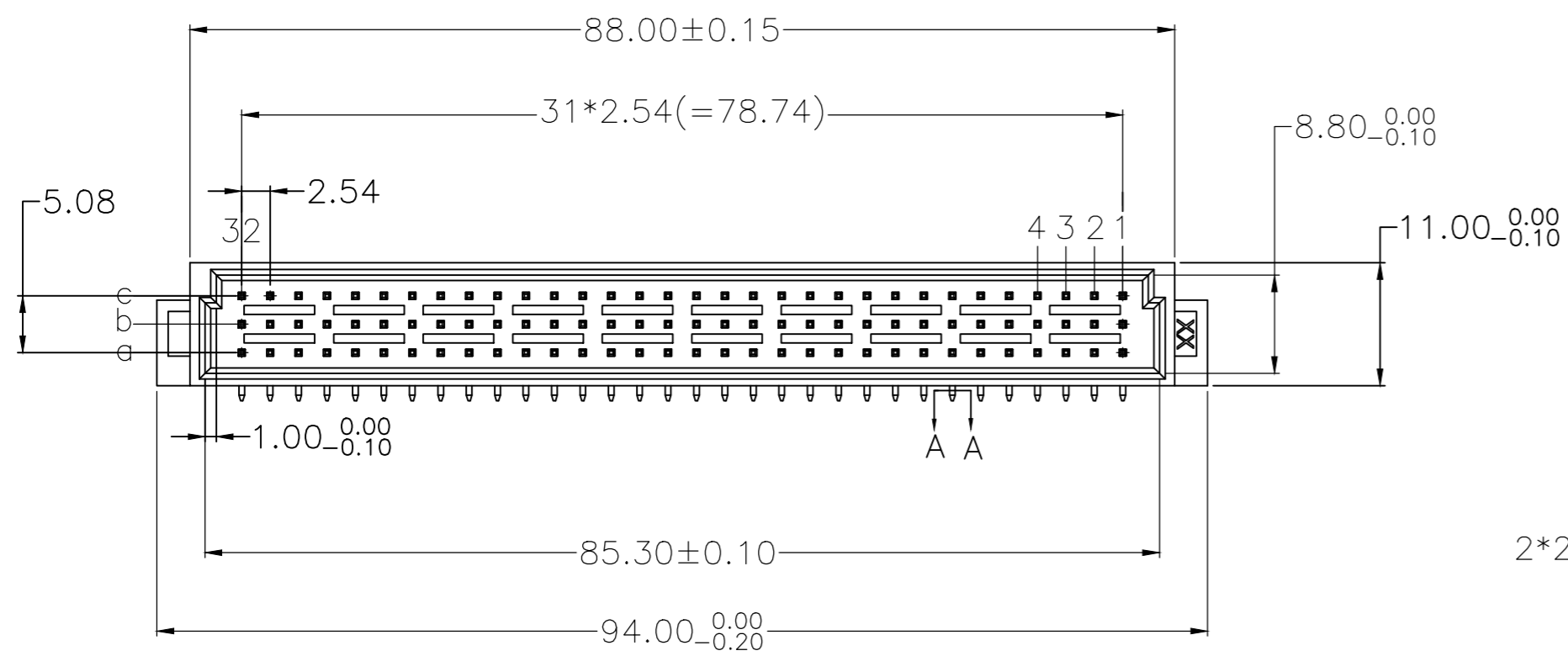


THIS DRAWING IS UNPUBLISHED. RELEASED FOR PUBLICATION  
 © COPYRIGHT - By - ALL RIGHTS RESERVED.

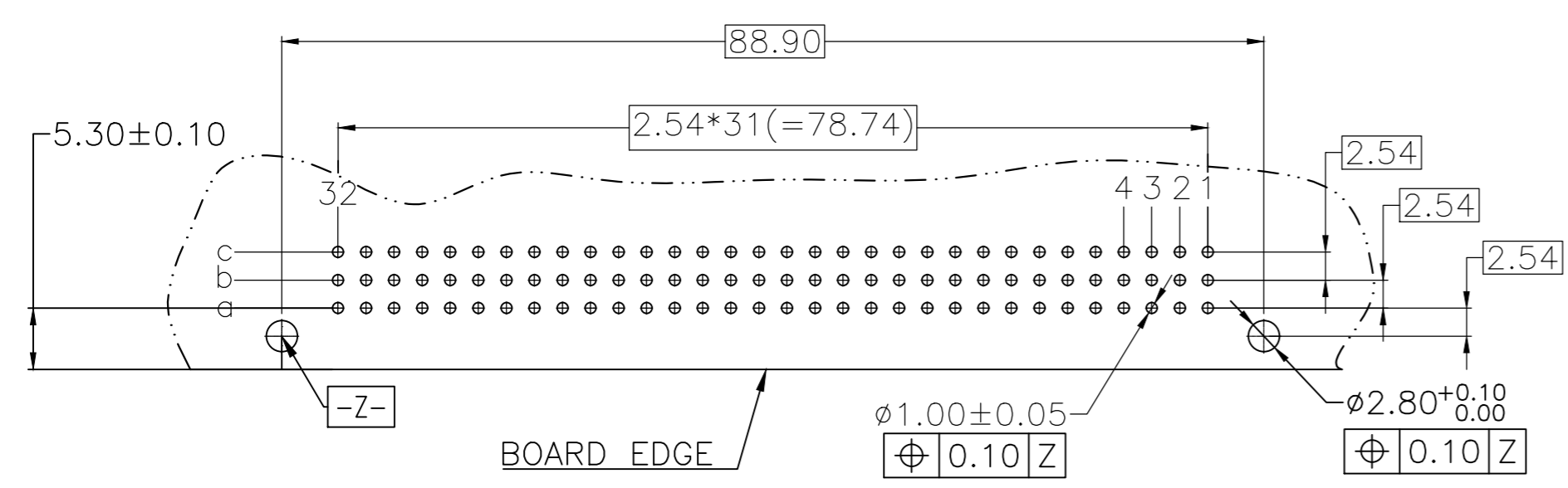
LOC		DIST		REVISIONS			
P	LTR	DESCRIPTION	DATE	DWN	APVD		
-	-	A	-	-	-		



- NOTES:
- PRODUCT SPECIFICATION:  
 CURRENT RATING: 2.0AMP  
 CONTACT RESISTANCE: 20mΩ MAX  
 WITHSTAND VOLTAGE: 1000V AC/DC  
 INSULATION RESISTANCE: 10E6MΩ MIN  
 OPERATING TEMPERATURE: -55°C to +105°C  
 RECOMMEND SOLDERING PROCESS: WAVE SOLDERING
  - MATERIAL  
 CONTACT: COPPER ALLOY  
 HOUSING: LOW-TEMPRATURE MATERIAL UL94V-0
  - 1.27um MIN NICKEL PER TEC-112-25 UNDERPLATE ALL OVER
  - 2.54um MIN TIN PER TEC-112-65 ON SOLDERING AREA
  - 0.76um MIN GOLD PER TEC-112-162 ON CONTACT AREA
  - 0.25um MIN GOLD PER TEC-112-162 ON CONTACT AREA
  - 0.076um MIN GOLD FLASH PER TEC-112-33 ON CONTACT AREA
  - PARTS MUST CONFORM TO DIN41612/IEC60603-2



SECTION A-A  
SCALE:5:1



RECOMMENDED PCB LAYOUT

DIM.A	FINISH	ROWS LOADED	POS	PN
4.57	3 4 5	abc	96	8-2271013-2
4.57	3 4 6	abc	96	8-2271013-1
4.57	3 4 7	abc	96	8-2271013-0
4.57	3 4 5	a c	64	7-2271013-2
4.57	3 4 6	a c	64	7-2271013-1
4.57	3 4 7	a c	64	7-2271013-0
4.0	3 4 5	abc	96	6-2271013-2
4.0	3 4 6	abc	96	6-2271013-1
4.0	3 4 7	abc	96	6-2271013-0
4.0	3 4 5	a c	64	5-2271013-2
4.0	3 4 6	a c	64	5-2271013-1
4.0	3 4 7	a c	64	5-2271013-0
3.0	3 4 5	abc	96	4-2271013-2
3.0	3 4 6	abc	96	4-2271013-1
3.0	3 4 7	abc	96	4-2271013-0
3.0	3 4 5	a c	64	3-2271013-2
3.0	3 4 6	a c	64	3-2271013-1
3.0	3 4 7	a c	64	3-2271013-0
2.5	3 4 5	abc	96	2-2271013-2
2.5	3 4 6	abc	96	2-2271013-1
2.5	3 4 7	abc	96	2-2271013-0
2.5	3 4 5	a c	64	1-2271013-2
2.5	3 4 6	a c	64	1-2271013-1
2.5	3 4 7	a c	64	1-2271013-0

THIS DRAWING IS A CONTROLLED DOCUMENT. DWN: 23SEP2014  
 ETHAN CHENG  
 CHK: KOBBY ZHAO  
 APVD: XIANG XU  
 PRODUCT SPEC: 108-137009  
 APPLICATION SPEC: -

**STE** TE Connectivity  
 CELLO CONNECTOR, TYPE C  
 MALE, RIGHT ANGLE  
 WITHOUT CLIPS

MATERIAL: SEE NOTE  
 FINISH: SEE NOTE  
 WEIGHT: -  
 CUSTOMER DRAWING

SIZE: A2  
 CAGE CODE: 00779  
 DRAWING NO: C=2271013  
 RESTRICTED TO: -

SCALE: 1:1  
 SHEET: 1 OF 1  
 REV: A2