

4

3

2

1

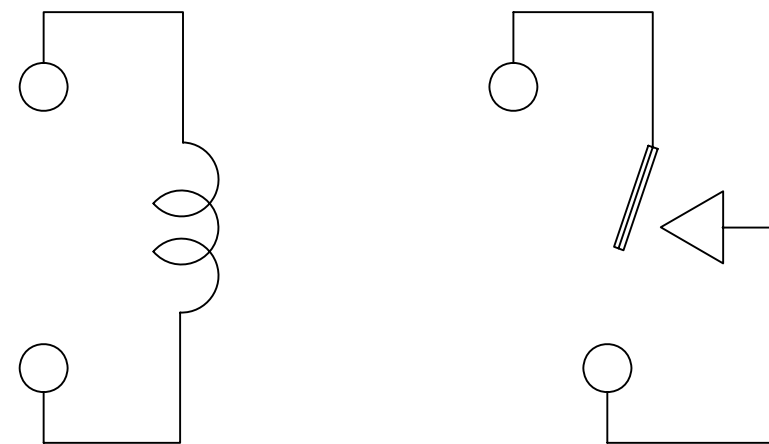
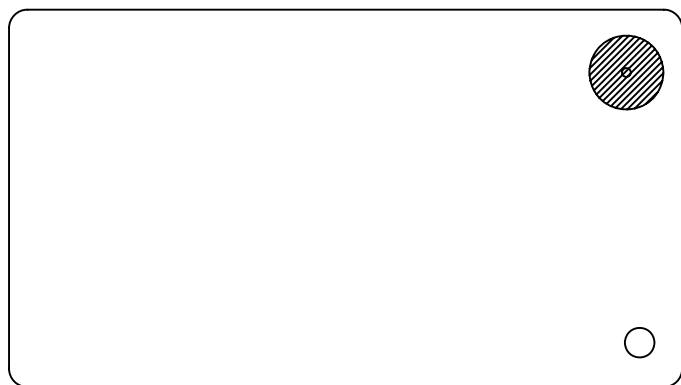
THIS DRAWING IS UNPUBLISHED.

RELEASED FOR PUBLICATION

ALL RIGHTS RESERVED.

© COPYRIGHT - By -

LOC	DIST	REVISIONS					
		P	LTR	DESCRIPTION	DATE	DWN	APVD
HB	-	B		CHANGE LOGO&ADD LINE IDENTIFICATION ECO-12-001771	15Jun2012	HYS	YBH



CONNECTION FIGURE

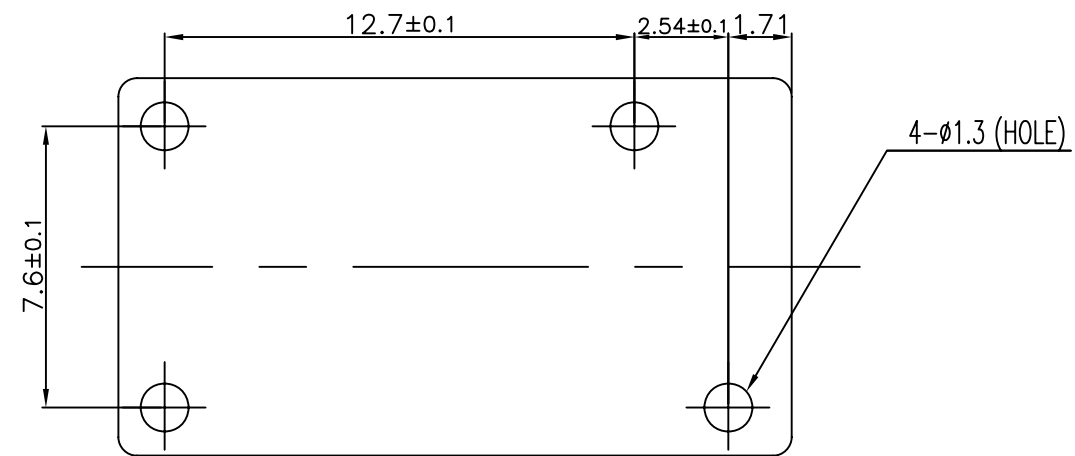
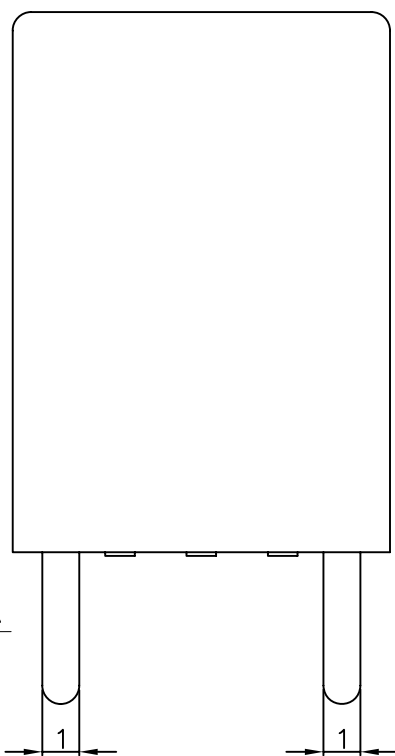
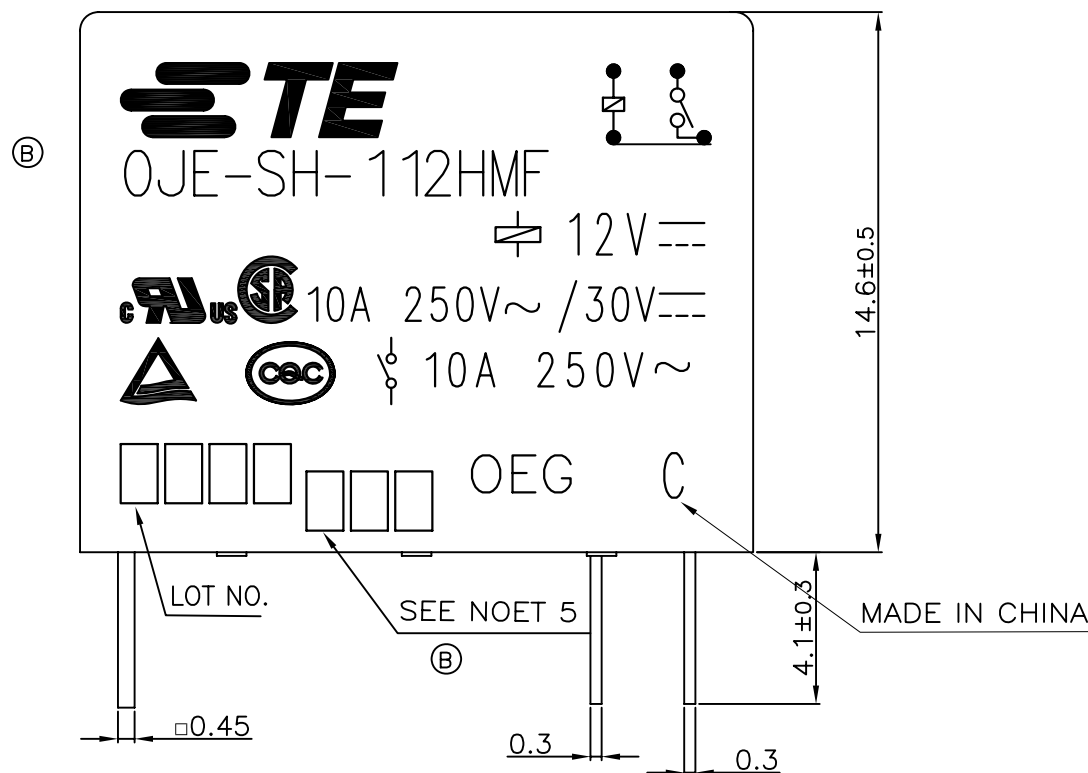
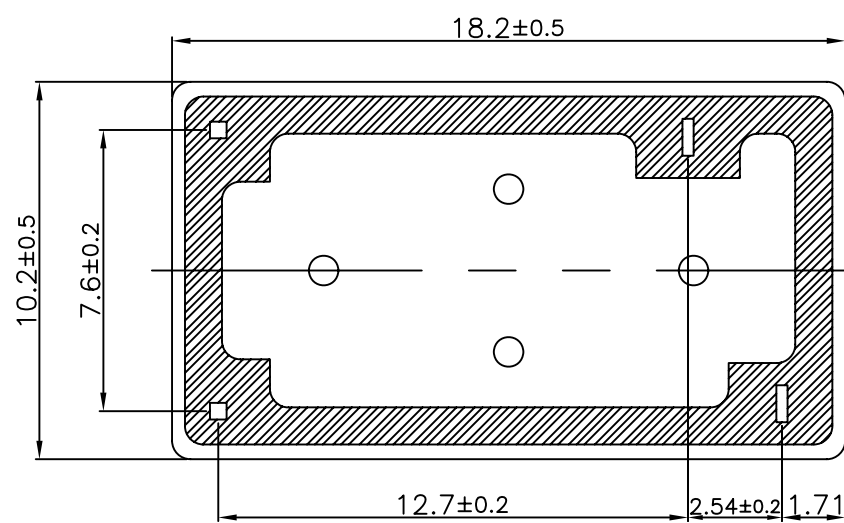


FIGURE FOR PRINTED CIRCUIT BOARD PROCESSING (BOTTOM VIEW)

Diagram dimension	Tolerance
0.99mm max.	±0.1mm
1 - 2.99mm	±0.2mm
3mm min.	±0.3mm



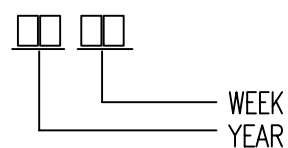
THIS DRAWING IS A CONTROLLED DOCUMENT.		DWN	Huang, Yunshou		
DIMENSIONS: mm		CHK	Yu, Banghua		
TOLERANCES UNLESS OTHERWISE SPECIFIED:		APVD	Zhang, Sunny		
0 PLC ± -		PRODUCT SPEC	-		
1 PLC ± -		APPLICATION SPEC	-		
2 PLC ± -		WEIGHT	-		
3 PLC ± -		TE Connectivity			
4 PLC ± -		NAME			
ANGLES ± -		OJE-SH-HMF, F095 CUSTOMER DRAWING			
FINISH		SIZE	CAGE CODE	DRAWING NO	RESTRICTED TO
-		A3	00779	4-1419144-7	-
CUSTOMER DRAWING			SCALE	SHEET	REV
-			5:1	1 of 2	B

THIS DRAWING IS UNPUBLISHED. RELEASED FOR PUBLICATION  
 © COPYRIGHT - By - TE CONNECTIVITY ALL RIGHTS RESERVED.

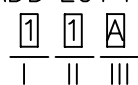
LOC	DIST	REVISIONS					
		P	LTR	DESCRIPTION	DATE	DWN	APVD
HB	-	-	-	SEE SHEET 1	-	-	-

NOTES:

1.LOT NO. SYSTEM AS FOLLOWING:



- ⓑ 2.TERMINAL DIMENSION IS BEFORE SOLDER DIP;
- ⓑ 3.FOR THE TIN-PLATING OF THE PINS:  
+0.1mm FOR WIDTH,THICKENSS AND DIAMETER.  
+0.5mm FOR LENGTH.
- ⓑ 4.MARKING FROM INK TO LASER.
- ⓑ 5.ADD LOT NO. SYSTEM AS FOLLOWING;



- I, DIGITS FOR DAY OF THE WEEK  
1...MONDAY IN THIS WEEK;  
2...TUESDAY IN THIS WEEK;  
.....  
7...SUNDAY IN THIS WEEK
- II, DIGITS FOR SHIFT OF THE DAY  
1...DAY SHIFT IN THIS DAY;  
2...NIGHT SHIFT IN THIS DAY;
- III, ONE CHARACTER DISTINGUISH THE LINE IDENTITY, SUCH AS: A,B.....Z

4-1419144-7	OJE-SH-112HMF	107-79010	a
TE PART NO	TE TYPE NAME	PACKING SPEC	TYPE

RELAY TYPE

		UV RESIN	SEAL (VENT HOLE)	16
		EPOXY RESIN	SEAL (BASE & BOBBIN)	15
		3JEW	MAGNETIC WIRE	14
94V-0		P.B.T	CASE	13
94V-0		P.B.T	BASE	12
94V-0		P.B.T	BOBBIN	11
	SOLDER DIP	C.P WIRE	COIL TERMINAL	10
94V-0		P.P.S	CARD	9
		Ag ALLOY	MOVABLE CONTACT	8
		Ag ALLOY	NO.CONTACT	7
		STEEL	HINGE SPRING	6
	SOLDER DIP	PBP	NO.TERMINAL	5
	SOLDER DIP	Cu ALLOY	MOVABLE SPRING	4
	NIP	STEEL	CORE	3
	NIP	STEEL	ARMATURE	2
	NIP	STEEL	YOKE	1
INCOMBUSTIBILITY	TREATMENT	MATERIAL	DESCRIPTION	ITEM

THIS DRAWING IS A CONTROLLED DOCUMENT.		DWN	Huang,Yunshou		
DIMENSIONS: mm		CHK	Yu,Banghua		
TOLERANCES UNLESS OTHERWISE SPECIFIED: 0 PLC ± - 1 PLC ± - 2 PLC ± - 3 PLC ± - 4 PLC ± - ANGLES ± -		APVD	Zhang,Sunny		
MATERIAL		PRODUCT SPEC	-		
FINISH		APPLICATION SPEC	-		
		WEIGHT	-		
		<b>STE</b> TE Connectivity			
		NAME OJE-SH-HMF,F095 CUSTOMER DRAWING			
SIZE	CAGE CODE	DRAWING NO	RESTRICTED TO		
A3	00779	4-1419144-7	-		
CUSTOMER DRAWING		SCALE	SHEET	REV	
		5:1	2 of 2	B	