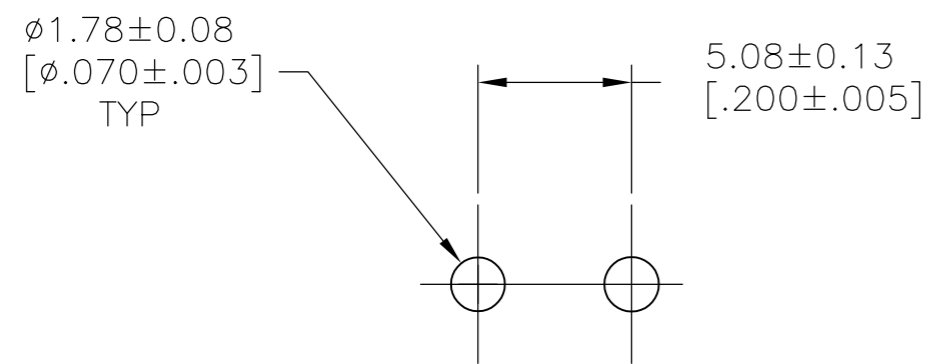
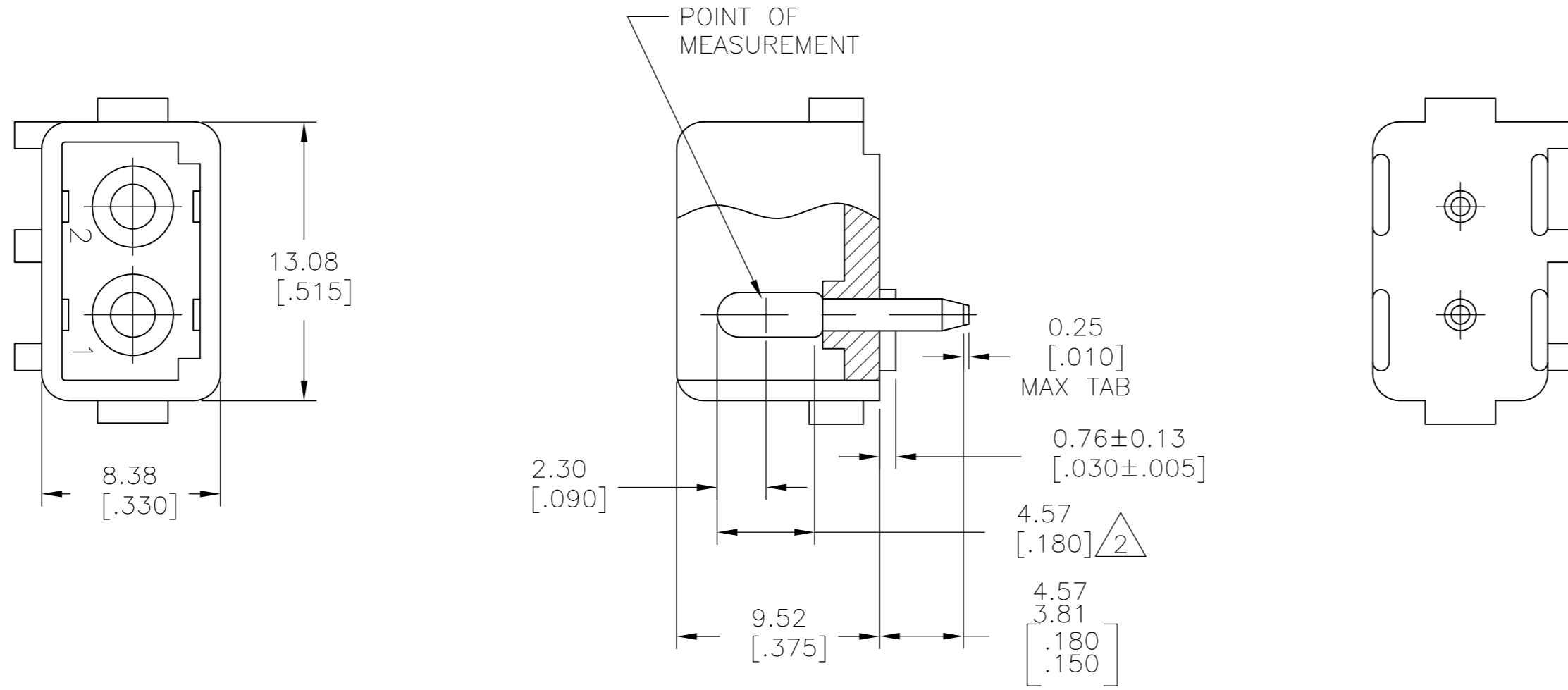


THIS DRAWING IS UNPUBLISHED. RELEASED FOR PUBLICATION
 © COPYRIGHT - By - ALL RIGHTS RESERVED.

REVISIONS				
P	LTR	DESCRIPTION	DATE	APVD
S3		REVISED PER ECR-16-007548	28JUL2016	BW EW

- 1 PARTS COMPLY WITH TE SOLDERABILITY SPEC NO. 109-11-3.
- 2 CONTACT IS PLATED OVERALL WITH 0.00127[.000050] NICKEL THEN 0.000762[.000030] GOLD OVER CONTACT LENGTH INDICATED AND TIN PLATED ON SOLDER TAIL END.



OBSOLETE	COPPER ALLOY-PRE TIN	NYLON, NATURAL UL94V-0	350209-3
	COPPER ALLOY-GOLD 2	NYLON, NATURAL UL94V-2	350209-2
	COPPER ALLOY-PRE TIN	NYLON, NATURAL UL94V-2	350209-1
	PIN MAT'L & COLOR	HSG, MAT'L & COLOR	ASS'Y NUMBER

THIS DRAWING IS A CONTROLLED DOCUMENT.		DWN 18MAR09 RAGHAVENDRA		
DIMENSIONS: mm [INCHES]		CHK 18MAR09 SARVER MICHAEL		
TOLERANCES UNLESS OTHERWISE SPECIFIED:		APVD 18MAR09 SARVER MICHAEL	NAME	
0 PLC ± -		PRODUCT SPEC	2 CIRCUIT MATE-N-LOK P.C. BOARD HEADER	
1 PLC ± -		APPLICATION SPEC	SIZE	CAGE CODE
2 PLC ± -			A2	00779
3 PLC ± 0.38[.015]			DRAWING NO	
4 PLC ± -			C=350209	
ANGLES ± 1°			RESTRICTED TO	
MATERIAL SEE TABLE		FINISH SEE TABLE	WEIGHT 0.000000	REV S3
			CUSTOMER DRAWING	SCALE 4:1 SHEET 1 of 1