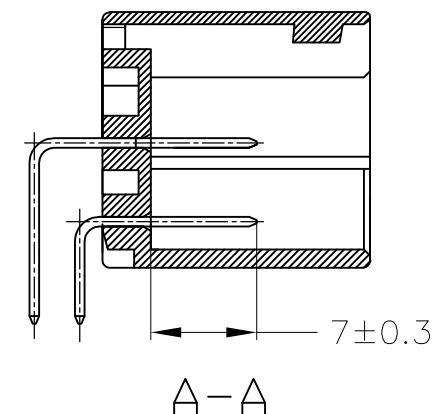
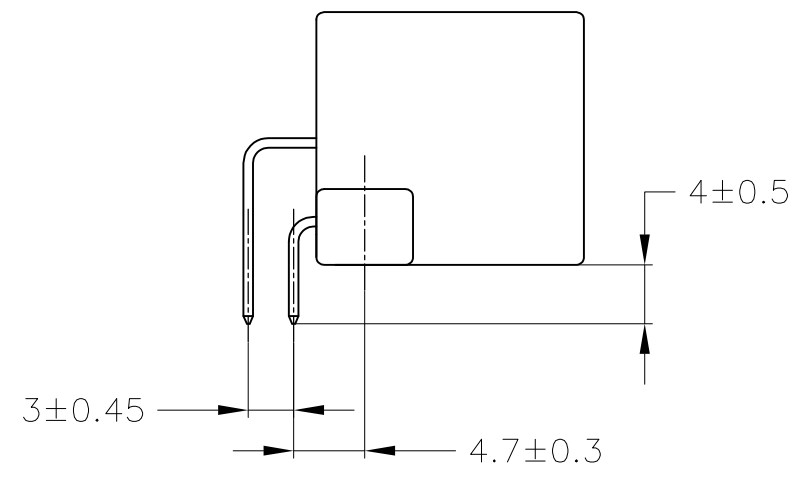
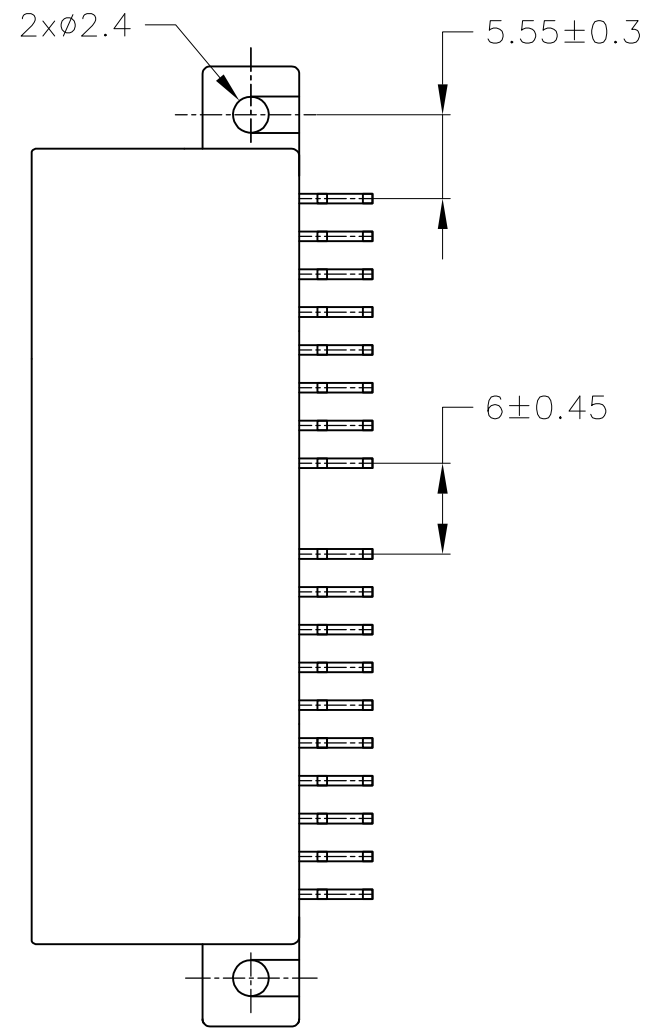
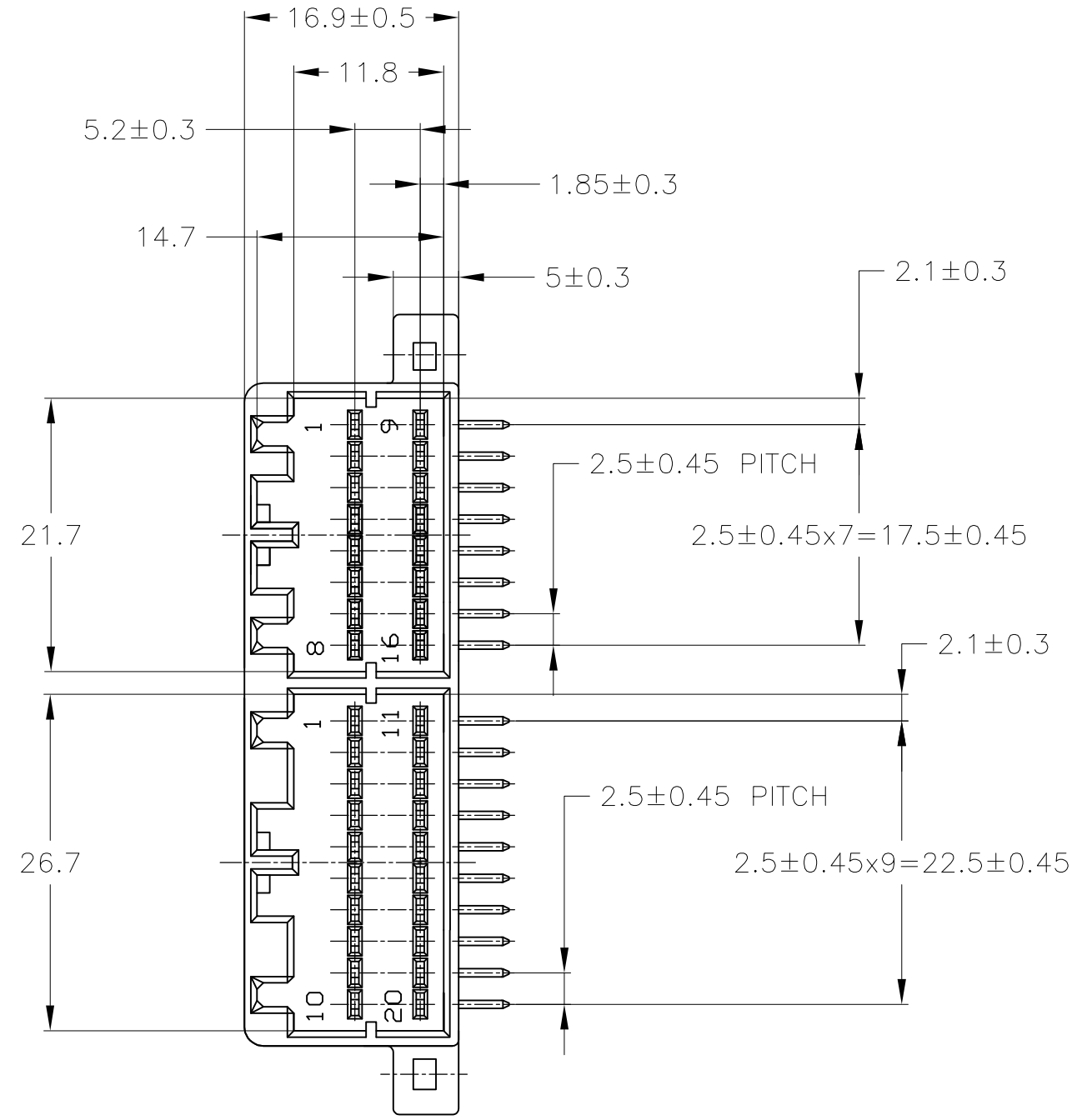
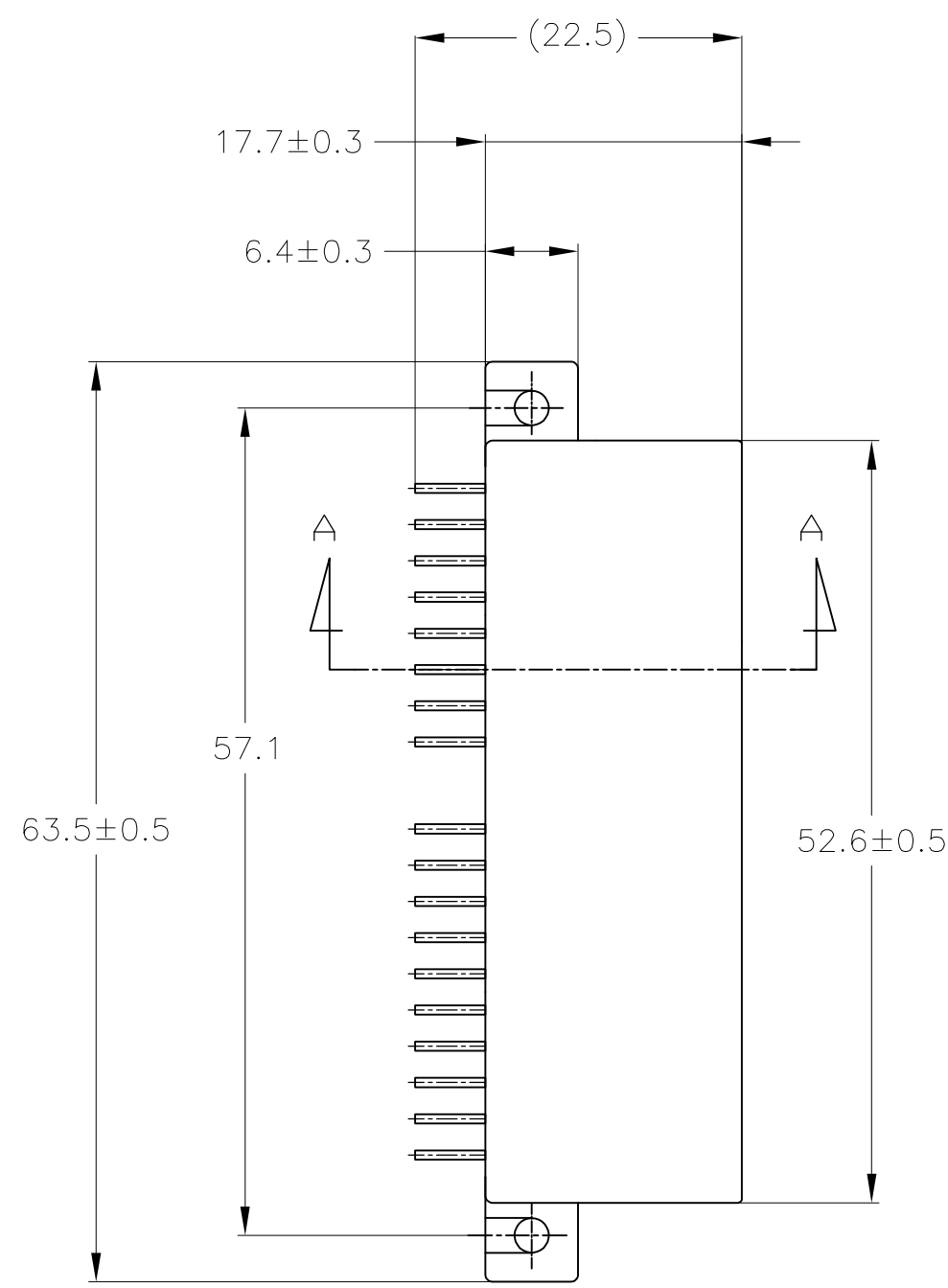
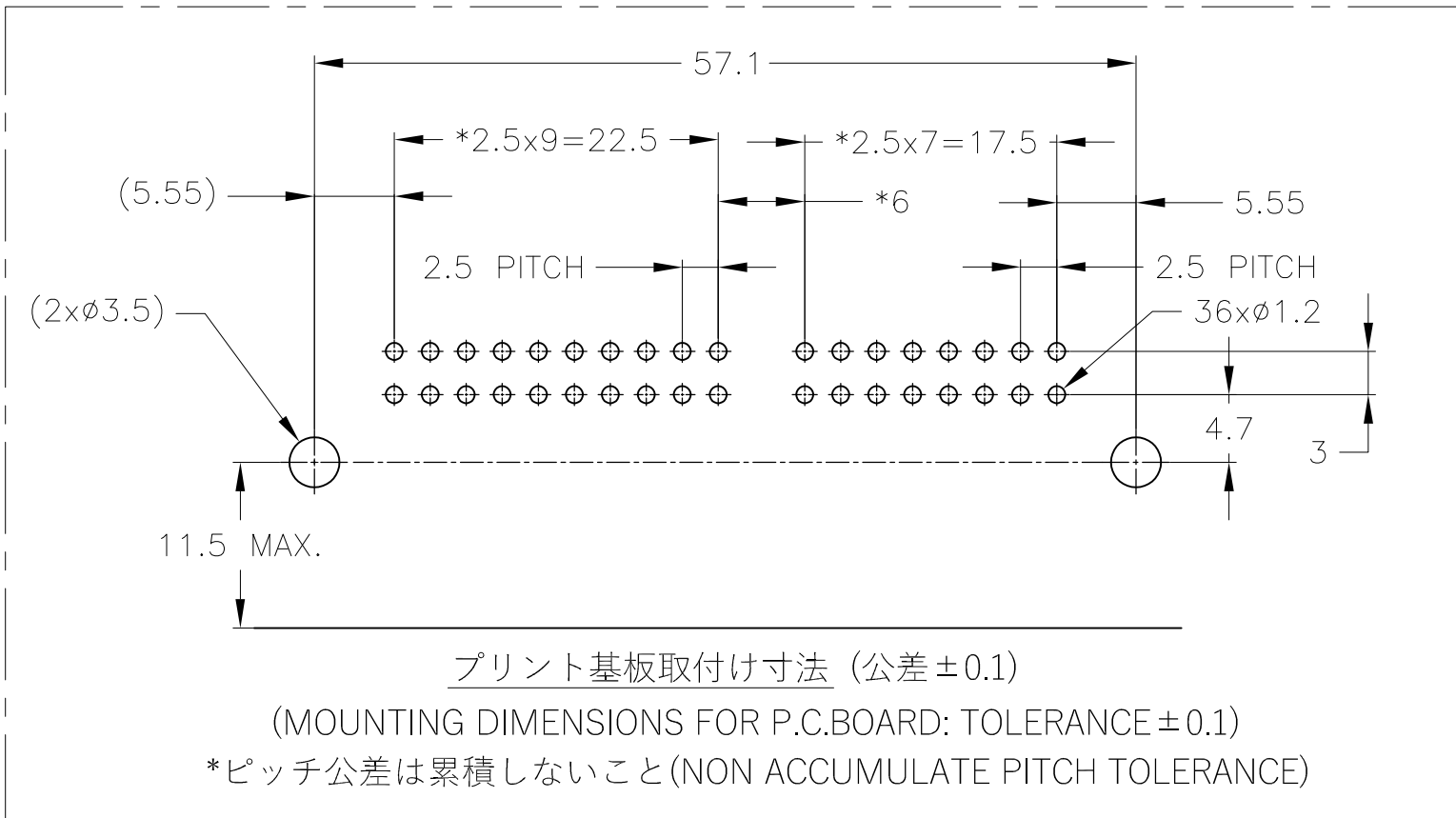


THIS DRAWING IS UNPUBLISHED. RELEASED FOR PUBLICATION DEC 2017
 © COPYRIGHT 2017 TE Connectivity Ltd. ALL RIGHTS RESERVED.

REVISIONS					
P	LTR	DESCRIPTION	DATE	DWN	APVD
A1	REVISED	ECR-17-018073	11DEC2017	KY	TK



1. APPLICABLE P.C.BOARD THICKNESS; 1.6mm
 2. RECOMMENDED MOUNTING SCREW; 3mm DIA, 6mm LENGTH(MIN.)
TAPPING SCREW SPECIFIED IN JIS B1115, B1122
(TIGHTENING TORQUE ; 101.6N MAX)
 3. THE MATING PLUG HSG P/N; 179054, 179057
 4. PRODUCT SPEC. NO.108-5452
1. 適用プリント基板厚; 1.6mm
 2. 推奨取付ネジ; JIS B1115, B1122 タッピングネジ, ナベ 2種
呼び径3, 長さ6mm以上(締付トルク 101.6N 以下)
 3. 嵌合相手型番; 179054, 179057
 4. 適用製品規格番号 108-5452



CARTON BOX ダンボール箱	PLASTIC TUBE プラスチックチューブ	SELECTIVE-TIN (MATTE)	SELECTIVE-TIN (BRIGHT)	GRAY	179059-7
CARTON BOX ダンボール箱	PAPER TUBE 紙チューブ	PRE-TINNED		GRAY	179059-6
OUTER 外装	INNER 内装	SOLDERING SIDE 半田付け側	CONTACT SIDE 嵌合部側	COLOR 色	PART NUMBER 製品番号
PACKING STYLE 梱包形態		CONTACT FINISH コンタクト仕上			

THIS DRAWING IS A CONTROLLED DOCUMENT.		DWN Y.KAKITANI 28FEB1995			
DIMENSIONS: mm		CHK -			
TOLERANCES UNLESS OTHERWISE SPECIFIED: 一般公差		APVD K.ODA 28FEB1995	NAME .040 MULTI-LOCK I/O CONN, MK-II 36Pos, CAP HSG, ASSY		
TOLERANCE UNLESS OTHERWISE SPECIFIED: 一般公差		PRODUCT SPEC SEE NOTE	SIZE A2		
0<X≤10: ±0.2		APPLICATION SPEC -	CAGE CODE 00779	DRAWING NO C=179059	RESTRICTED TO -
10<X≤30: ±0.25		MATERIAL HOUSING:PBT CONTACT:COPPER ALLOY	WEIGHT 11.4 g	SCALE 2:1	SHEET 1 of 1
30<X≤100: ±0.3		FINISH SEE TABLE	CUSTOMER DRAWING	REV A1	
ANGLE: ±3°					