

4

3

2

1

THIS DRAWING IS UNPUBLISHED.

RELEASED FOR PUBLICATION

ALL RIGHTS RESERVED.

© COPYRIGHT - By TE Connectivity

REVISIONS

| P | LTR | DESCRIPTION  | DATE          | DWN       | APVD       |
|---|-----|--|---------------|-----------|------------|
|   | H   | 1.UPDATE TE LOGO 2.ADD LINE IDENTIFICATION<br>3.TERMINALS TOLERANCE CLARIFICATION 4.VENT HOLE CHANGE | ECO-12-005726 | 09-APR-12 | D.L B.H.Y  |
|   | H1  | ADD NEW PN   | ECO-17-000322 | 10-JAN-17 | XR.L H.L.C |
|   | H2  | ADD SHEET 3/4, OZ-SH-105LM1F ADD 20A RATING  | ECO-17-008000 | 12-JUL-17 | XR.L T.K   |

Ⓜ

PART A

PART B

OZ-SS-124LM1F

24V

16A 240V~ Res.  
1/2HP 120V~

16A 240V~

OEG

C

C:MADE IN CHINA

LOT NO.

CHARACTER(A TO Z)  
FOR LINE IDENTIFIER Ⓜ

20.6

4

0.6

0.3

0.3

1.2

1.2

L TYPE:

| Ⓜ                    | Ⓜ                        | Ⓜ             | Ⓜ                        | Ⓜ            | Ⓜ |
|----------------------|--------------------------|---------------|--------------------------|--------------|---|
| 1-2071269-2          | OZ-SS-112LM1F            | 12V           | OZ-SS-112LM1F            | h            |   |
| 1461868-7            | OZ-SS-109LM1F            | 9V            | OZ-SS-109LM1F            | g            |   |
| 1461868-5            | OZ-SS-112LM1F            | 12V           | OZ-SS-112LM1F            | e            |   |
| <del>1461868-8</del> | <del>OZ-SH-105LM1F</del> | <del>5V</del> | <del>OZ-SH-105LM1F</del> | <del>d</del> |   |
| 1461868-3            | OZ-SH-124LM1F            | 24V           | OZ-SH-124LM1F            | c            |   |
| 1461868-2            | OZ-SS-124LM1F            | 24V           | OZ-SS-124LM1F            | b            |   |
| 1461868-1            | OZ-SH-112LM1F            | 12V           | OZ-SH-112LM1F            | a            |   |
| PART NO              | DESCRIPTION              | PART B        | PART A                   | ITEM         |   |

RELAY TYPE

1.9

20

5

7.5

12.8

29.2

THIS DRAWING IS A CONTROLLED DOCUMENT.

DWN 09APR2012

CHK LIU.XIANGREN

CHEN.TIMOTHY

APVD ZHANG.SUNNY

PRODUCT SPEC

APPLICATION SPEC

WEIGHT

0

CUSTOMER DRAWING

TE Connectivity

OZ CUSTOMER DRAWING

| SIZE | CAGE CODE | DRAWING NO | RESTRICTED TO |
|------|-----------|------------|---------------|
| A3   | 00779     | C=1461868  | -             |

| SCALE | SHEET  | REV |
|-------|--------|-----|
| 4:1   | 1 OF 4 | H2  |

1470-19 (1/15)

4

3

2

1

THIS DRAWING IS UNPUBLISHED.

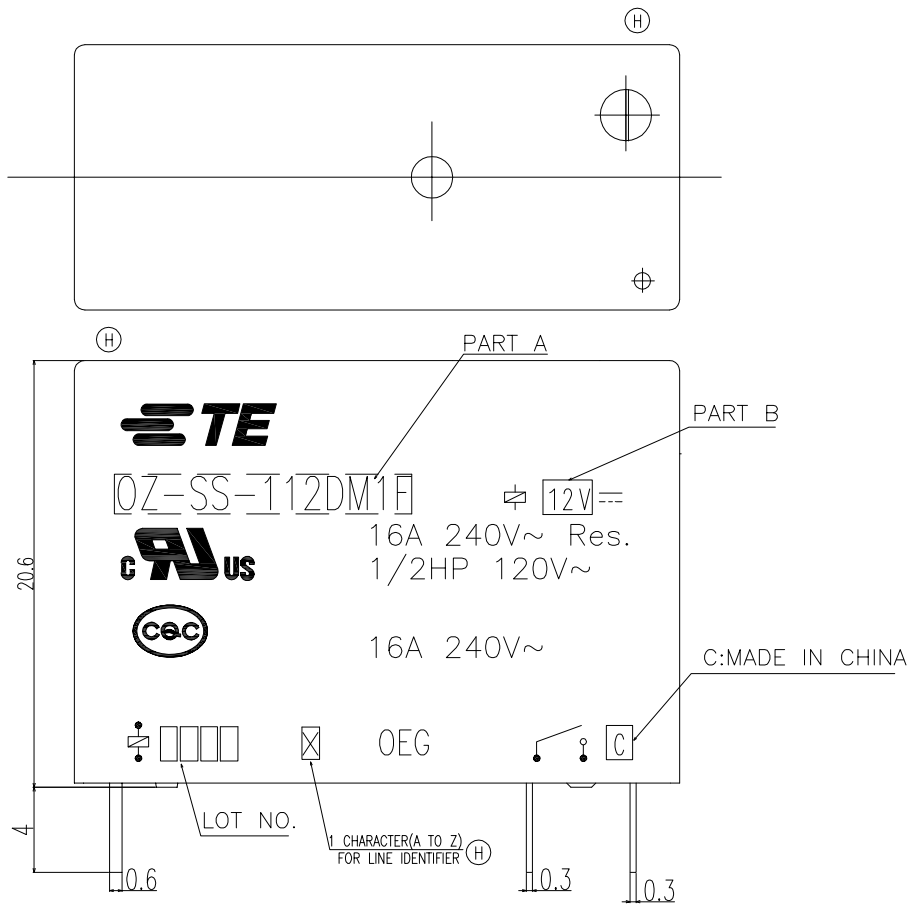
RELEASED FOR PUBLICATION

ALL RIGHTS RESERVED.

© COPYRIGHT - By TE Connectivity

REVISIONS

| P | LTR | DESCRIPTION | DATE | DWN | APVD |
|---|-----|-------------|------|-----|------|
| - | -   | SEE SHEET 1 | -    | -   | -    |



D TYPE:

|           |               |        |               |      |
|-----------|---------------|--------|---------------|------|
| 1461868-6 | OZ-SS-112DM1F | 12V    | OZ-SS-112DM1F | f    |
| PART NO   | DESCRIPTION   | PART B | PART A        | ITEM |

RELAY TYPE

THIS DRAWING IS A CONTROLLED DOCUMENT.

DWN 09APR2012

LIU.XIANGREN

CHK CEHN.TIMOTHY

APVD ZHANG.SUNNY

PRODUCT SPEC

APPLICATION SPEC

WEIGHT

CUSTOMER DRAWING



TE Connectivity

OZ CUSTOMER DRAWING

SIZE CAGE CODE DRAWING NO RESTRICTED TO

A3 00779 C=1461868

SCALE 4:1 SHEET 2 OF 4 REV H2

4

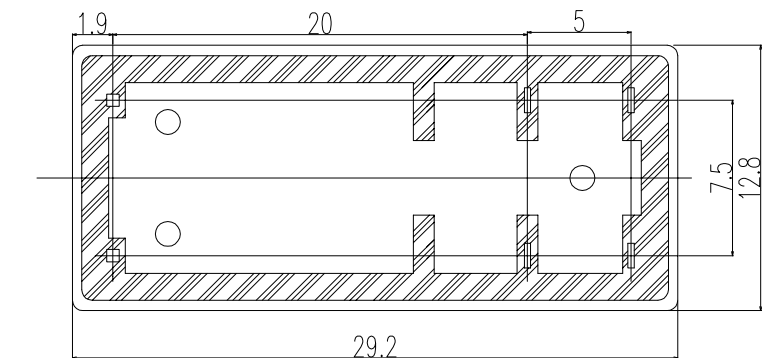
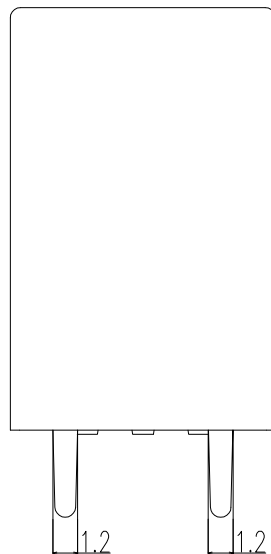
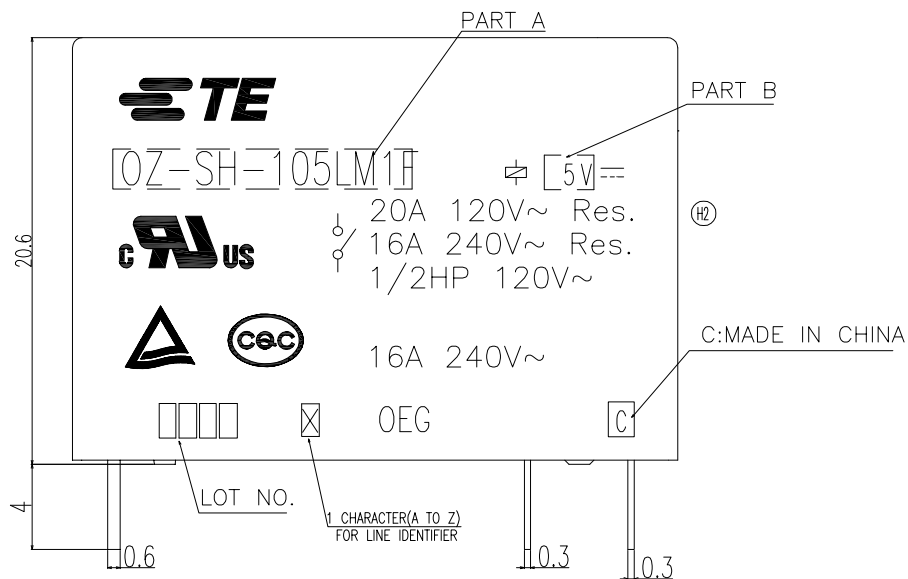
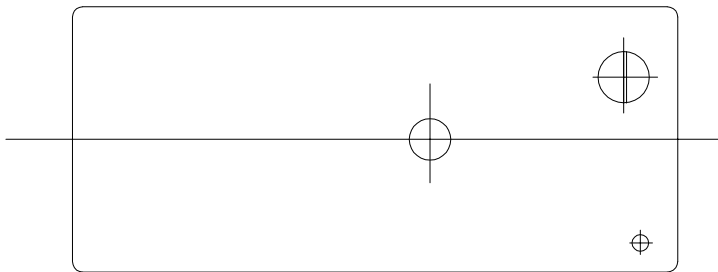
3

2

1

THIS DRAWING IS UNPUBLISHED. RELEASED FOR PUBLICATION  
 © COPYRIGHT - By TE Connectivity ALL RIGHTS RESERVED.

| REVISIONS |     |             |      |      |
|-----------|-----|-------------|------|------|
| P         | LTR | DESCRIPTION | DATE | APVD |
| -         | -   | SEE SHEET 1 | -    | -    |



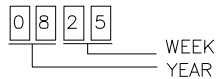
| 1461868-8         | OZ-SH-105LM1F | 5V     | OZ-SH-105LM1F | d    |
|-------------------|---------------|--------|---------------|------|
| PART NO           | DESCRIPTION   | PART B | PART A        | ITEM |
| <u>RELAY TYPE</u> |               |        |               |      |

|  |        |                                  |                            |           |
|--|--------|----------------------------------|----------------------------|-----------|
| THIS DRAWING IS A CONTROLLED DOCUMENT. |        | DWN<br>LIU.XIANGREN<br>09APR2012 | <b>STE</b> TE Connectivity |           |
|  |        | CHK<br>CHEN.TIMOTHY              |                            |           |
| DIMENSIONS:<br>mm                      |        | APVD<br>ZHANG.SUNNY              | NAME<br>-                  |           |
| TOLERANCES UNLESS OTHERWISE SPECIFIED: |        | PRODUCT SPEC                     | OZ CUSTOMER DRAWING        |           |
| 0 PLC ± -                              |        | APPLICATION SPEC                 | -                          |           |
| 1 PLC ± -                              |        |                                  | SIZE                       | CAGE CODE |
| 2 PLC ± -                              |        |                                  | A3                         | 00779     |
| 3 PLC ± -                              |        |                                  | DRAWING NO                 |           |
| 4 PLC ± -                              |        |                                  | C=1461868                  |           |
| ANGLES ± -                             |        |                                  | RESTRICTED TO              |           |
| MATERIAL                               | FINISH | WEIGHT                           | -                          |           |
| -                                      | -      | 0.000000                         | -                          |           |
| CUSTOMER DRAWING                       |        | SCALE                            | SHEET                      | REV       |
|  |        | 4:1                              | 3 OF 4                     | H2        |

THIS DRAWING IS UNPUBLISHED.      RELEASED FOR PUBLICATION  
 © COPYRIGHT - By TE Connectivity      ALL RIGHTS RESERVED.

| REVISIONS |     |             |      |      |
|-----------|-----|-------------|------|------|
| P         | LTR | DESCRIPTION | DATE | APVD |
| -         | -   | SEE SHEET 1 | -    | -    |

NOTES:  
 1. LOT NO. SYSTEM AS FOLLOWING:



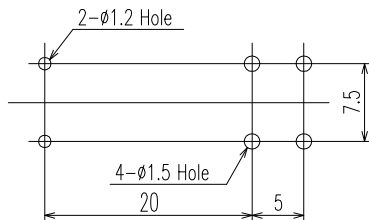
2. GENERAL TOLERANCE AS FOLLOWING:

| TOLERANCE  |      |
|------------|------|
| 0~0.99mm   | ±0.1 |
| 1mm~2.99mm | ±0.2 |
| 3mm MIN.   | ±0.3 |

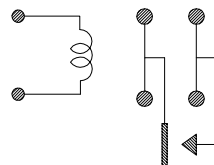
3. TERMINAL DIMENSION IS NOT INCLUDING SOLDER TIP.

Ⓜ 4. FOR THE TIN-PLATING OF THE PINS:  
 +0.1mm FOR WIDTH, THICKNESS AND DIAMETER.  
 +0.5mm FOR LENGTH.

CIRCUIT DIAGRAM(2/1)  
 (BOTTOM VIEW)



DRILLING DIAGRAM  
 (BOTTOM VIEW)



|                  |            |                     |                    |      |
|------------------|------------|---------------------|--------------------|------|
|                  |            | EPOXY RESIN         | SEAL               | 15   |
|                  |            | Cu ALLOY            | HINGE SPRING       | 14   |
|                  |            | PBT                 | CASE               | 13   |
|                  |            | MW79                | MAGNETIC WIRE      | 12   |
| UL94V-0          |            | PET                 | BASE               | 11   |
| UL94V-0          |            | PA66 NYLON(CLASS F) | BOBBIN             | 10   |
|                  | SOLDER DIP | Cu ALLOY            | COIL TERMINAL      | 9    |
| UL94V-0          |            | PPS                 | CARD               | 8    |
|                  |            | Ag ALLOY            | MOVABLE CONTACT    | 7    |
|                  |            | Ag ALLOY            | STATIONARY CONTACT | 6    |
|                  | SOLDER DIP | Cu ALLOY            | MOVABLE SPRING     | 5    |
|                  | SOLDER DIP | Cu ALLOY            | NO-TERMINAL        | 4    |
|                  | Ni PLATED  | STEEL               | CORE               | 3    |
|                  | Ni PLATED  | STEEL               | ARMATURE           | 2    |
|                  | Ni PLATED  | STEEL               | YOKE               | 1    |
| INCOMBUSTIBILITY | TREATMENT  | MATERIAL            | DESCRIPTION        | ITEM |

|   |             |                       |                         |                    |
|---|-------------|-----------------------|-------------------------|--------------------|
| THIS DRAWING IS A CONTROLLED DOCUMENT.  |             | DWN<br>LIU.XIANGREN   | TE Connectivity         |                    |
|   |             | CHK<br>CHEN.TIMOTHY   |                         |                    |
| DIMENSIONS:<br>mm   |             | APVD<br>ZHANG.SUNNY   | NAME<br>-               |                    |
|   |             | PRODUCT SPEC<br>-     | OZ CUSTOMER DRAWING     |                    |
| TOLERANCES UNLESS OTHERWISE SPECIFIED:<br>0 PLC ± -<br>1 PLC ± -<br>2 PLC ± -<br>3 PLC ± -<br>4 PLC ± -<br>ANGLES ± - |             | APPLICATION SPEC<br>- | SIZE<br>A3              | CAGE CODE<br>00779 |
| MATERIAL<br>-   | FINISH<br>- | WEIGHT<br>0           | DRAWING NO<br>C=1461868 | RESTRICTED TO<br>- |
| CUSTOMER DRAWING  |             |                       | SCALE<br>4:1            | SHEET<br>4 OF 4    |
|   |             |                       | REV<br>H2               |                    |