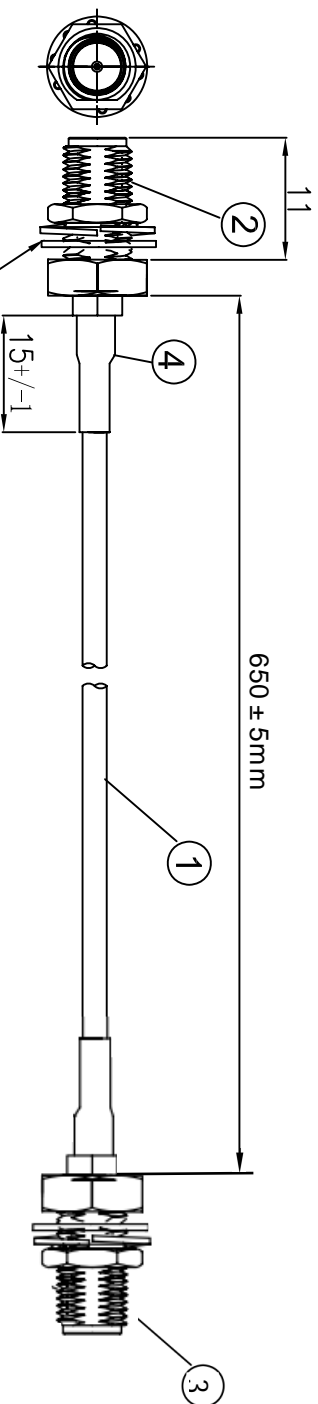


Kinghelm®

KHA(RG316)-TX650-SMA

REV. NUMBER		DESCRIPTION		DWN	CHK	DATE
A		DESIGN				



三個配件出貨時另外附配件出貨(2个华司，1个螺母)

cable loss 小于等于0.3dbm@0-6G

ITEM NO.	PART NUMBER	DESCRIPTION	QTY.
④	套管	黑色热缩套管, OD:2.0MM	AS
③	接头	同2	1
②	接头	SMA母头内孔, 分体, 11牙, 镀金	1
①	同轴线	RG316黑色线, OD: 4 mm	AS

- NOTES:**
- ELECTRICAL:
 - VOLTAGE RATING:DCV 300V 10MS
 - CONDUCTANCE RESISTANCE:3.0 OHM/MAX.
 - INSULATION RESISTANCE: 5.0M OHM/MIN.
 - THE CABLE SHOULD BE 100% ELECTRICAL TEST
 - IT SHOULD BE NO ANY OPENS/SHORT, MISWIRING AND INTERMITTENT FAILURES
 - MATERIAL:
 - SEE TABLE
 - MECHANICAL:
 - SMA PULL FORCE: 12.0KGS.
 - ALL COMPONENTS ARE ROHS COMPLIANT.

金航标电子有限公司

ALL DIMENSION ARE IN MM	DRAWN	DATE	TITLE
ARE IN MM	Jamy	2018/05/04	RF CABLE
COMPUTER GENERATED IN SOLIDWORKS	ENG.		I-PEX 1.13 TO SMA / F L=200 MM
DO NOT SCALE THIS DRAWING	MFG.		
PROJECTION	Q.A.		
GENERAL TOLERANCE FOR ANGLES ± 1° ± 0.3 ± 0.25 ± 0.150			

CUSTOMER P/N: