

## SLA7029M/SMA7022MU/SMA7029M

## 2-Phase Excitation

## ■ Absolute Maximum Ratings

(T<sub>a</sub>=25°C)

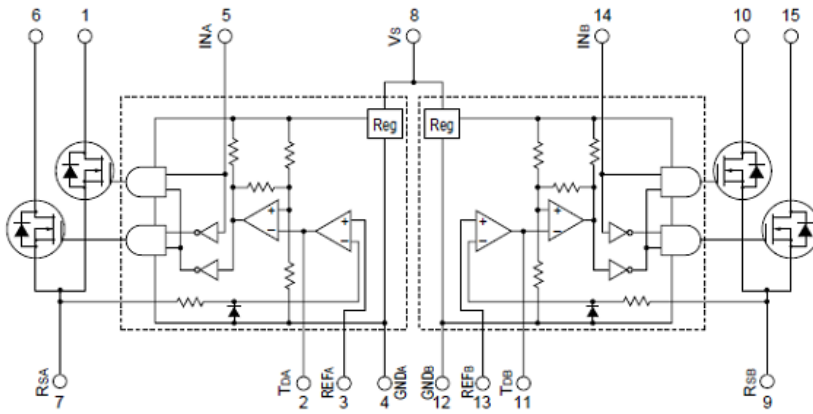
Parameter	Symbol	Ratings			Unit
		SLA7029M	SMA7022MU	SMA7029M	
Motor Supply Voltage	V <sub>CC</sub>	46			V
FET Drain-Source Voltage	V <sub>DSS</sub>	100			V
Control Supply Voltage	V <sub>S</sub>	46			V
TTL Input Voltage	V <sub>IN</sub>	7			V
Reference Voltage	V <sub>REF</sub>	2			V
Output Current	I <sub>O</sub>	1.5	1	1.5	A
Power Dissipation	P <sub>DI</sub>	4.5 (Without Heatsink)		4.0 (Without Heatsink)	W
	P <sub>DI</sub>	35 (T <sub>c</sub> =25°C)		28 (T <sub>c</sub> =25°C)	W
Channel Temperature	T <sub>ch</sub>	+150			°C
Storage Temperature	T <sub>stg</sub>	-40 to +150			°C

## ■ Electrical Characteristics

(T<sub>a</sub>=25°C)

Parameter	Symbol	Ratings									Unit
		SLA7029M			SMA7022MU			SMA7029M			
		min.	typ.	max.	min.	typ.	max.	min.	typ.	max.	
Control Supply Current	I <sub>S</sub>		10	15		10	15		10	15	mA
	Condition	V <sub>S</sub> =44V			V <sub>S</sub> =44V			V <sub>S</sub> =44V			
Control Supply Voltage	V <sub>S</sub>	10	24	44	10	24	44	10	24	44	V
FET Drain-Source Voltage	V <sub>DSS</sub>	100			100			100			V
	Condition	V <sub>S</sub> =44V, I <sub>OSS</sub> =250μA			V <sub>S</sub> =44V, I <sub>OSS</sub> =250μA			V <sub>S</sub> =44V, I <sub>OSS</sub> =250μA			
FET ON Voltage	V <sub>DS</sub>			0.6			0.85			0.6	V
	Condition	I <sub>O</sub> =1A, V <sub>S</sub> =14V			I <sub>O</sub> =1A, V <sub>S</sub> =14V			I <sub>O</sub> =1A, V <sub>S</sub> =14V			
FET Drain Leakage Current	I <sub>OSS</sub>			4			4			4	mA
	Condition	V <sub>OSS</sub> =100V, V <sub>S</sub> =44V			V <sub>OSS</sub> =100V, V <sub>S</sub> =44V			V <sub>OSS</sub> =100V, V <sub>S</sub> =44V			
FET Diode Forward Voltage	V <sub>SD</sub>			1.1			1.2			1.1	V
	Condition	I <sub>O</sub> =1A			I <sub>O</sub> =1A			I <sub>O</sub> =1A			
TTL Input Current	I <sub>IH</sub>			40			40			40	μA
	Condition	V <sub>IN</sub> =2.4V, V <sub>S</sub> =44V			V <sub>IN</sub> =2.4V, V <sub>S</sub> =44V			V <sub>IN</sub> =2.4V, V <sub>S</sub> =44V			
	I <sub>IL</sub>			-0.8			-0.8			-0.8	mA
Condition	V <sub>IL</sub> =0.4V, V <sub>S</sub> =44V			V <sub>IL</sub> =0.4V, V <sub>S</sub> =44V			V <sub>IL</sub> =0.4V, V <sub>S</sub> =44V				
TTL Input Voltage (Active High)	V <sub>IH</sub>	2			2			2			V
	Condition	I <sub>O</sub> =1A			I <sub>O</sub> =1A			I <sub>O</sub> =1A			
	V <sub>IL</sub>			0.8			0.8			0.8	
TTL Input Voltage (Active Low)	V <sub>IH</sub>	2			2			2			V
	Condition	V <sub>OSS</sub> =100V			V <sub>OSS</sub> =100V			V <sub>OSS</sub> =100V			
	V <sub>IL</sub>			0.8			0.8			0.8	
Switching Time	T <sub>r</sub>		0.5			0.5			0.5		μs
	Condition	V <sub>S</sub> =24V, I <sub>O</sub> =1A			V <sub>S</sub> =24V, I <sub>O</sub> =0.8A			V <sub>S</sub> =24V, I <sub>O</sub> =1A			
	T <sub>stg</sub>		0.7			0.7			0.7		
	Condition	V <sub>S</sub> =24V, I <sub>O</sub> =1A			V <sub>S</sub> =24V, I <sub>O</sub> =0.8A			V <sub>S</sub> =24V, I <sub>O</sub> =1A			
	T <sub>f</sub>		0.1			0.1			0.1		
Condition	V <sub>S</sub> =24V, I <sub>O</sub> =1A			V <sub>S</sub> =24V, I <sub>O</sub> =0.8A			V <sub>S</sub> =24V, I <sub>O</sub> =1A				

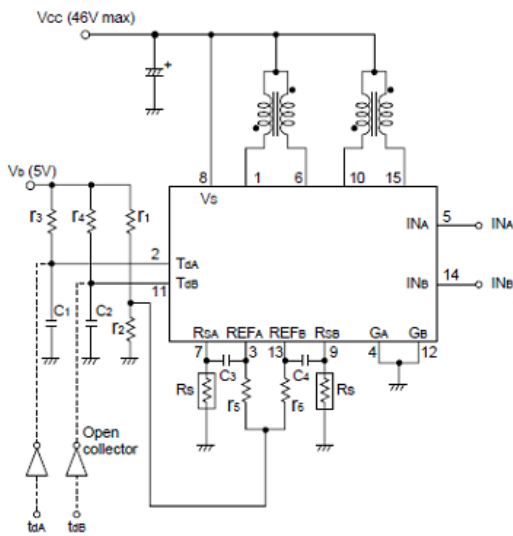
## Internal Block Diagram



1, 6, 10, 15pin  
Description of pins

	Excitation input signal	
	Active H	Active L
1pin	OUT A	OUT A
6pin	OUT A	OUT A
10pin	OUT B	OUT B
15pin	OUT B	OUT B

## Typical Connection Diagram (Recommended component values)



Excitation signal time chart  
2-phase excitation

clock	0	1	2	3	0	1
INa	H	H	L	L	H	H
INb	L	H	H	L	L	H

1-2 phase excitation

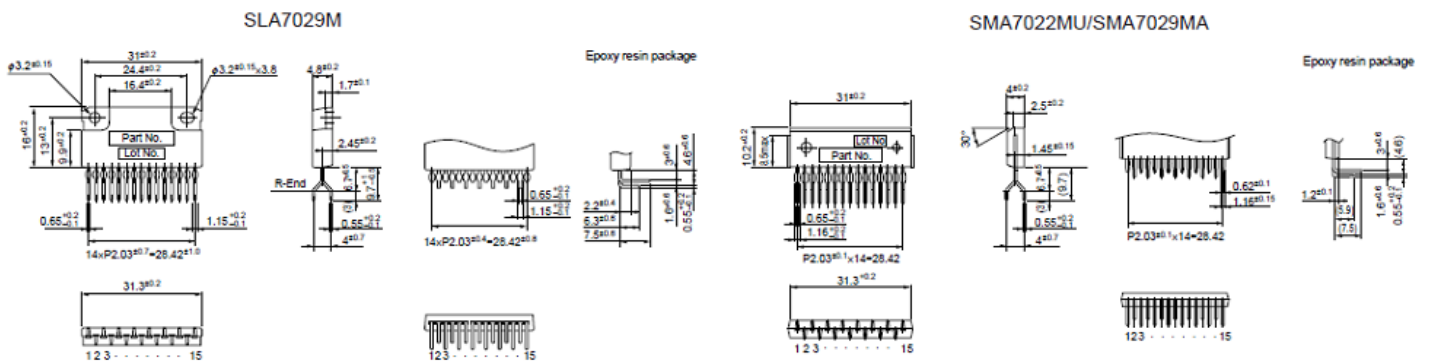
clock	0	1	2	3	4	5	6	7	0	1	2	3
INa	H	H	H	H	L	L	L	L	H	H	H	H
tda	L	L	L	H	L	L	L	H	L	L	L	H
INb	L	L	H	H	H	H	L	L	L	L	H	H
tdb	L	H	L	L	L	H	L	L	L	H	L	L

●tdA and tdB are signals before the inverter stage.

- r1 : 510Ω
- r2 : 100Ω (VR)
- r3 : 47kΩ
- r4 : 47kΩ
- r5 : 2.4kΩ
- r6 : 2.4kΩ
- C1 : 330 to 500pF
- C2 : 330 to 500pF
- C3 : 2200pF
- C4 : 2200pF
- Rs : 1Ω typ (7029M) (1-2W)

## External Dimensions (ZIP15 with Fin [SLA15Pin] /ZIP15[SMA15Pin])

(Unit:mm)



Forming No. No.853

Forming No. No.855

Forming No. No.1054

Forming No. No.1055

Product Mass : Approx.6g

Product Mass : Approx.4g