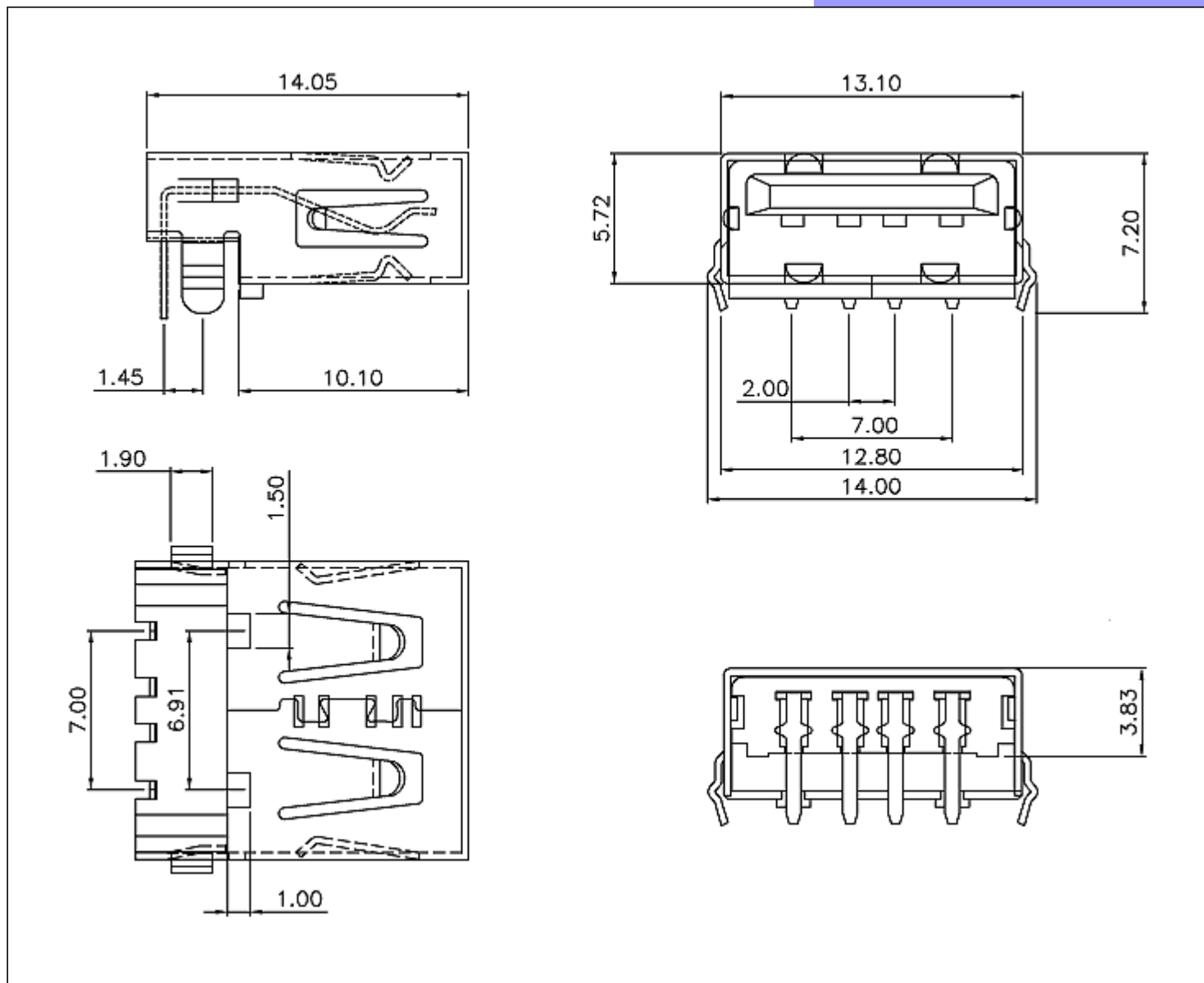


Operation: Push-Pull



LTEM NO.:USB-307D
(2.0-USB-CONNECTORS)

Unit:mm



Technical parameter

PROJECT		LEVEL	A[better product]	B[average product]	C[low product]
Electrical Properties	Initial Contact Resistance		30mΩ max.	30mΩ max.	no data!
	Contact Resistance		100mΩ min.100V DC Skey/PD: 50mΩ min.100V DC		
	Withstand Voltage		300V AC for 1min	250 V AC for 1min	
Durable Performance	There No Load		6,000 Cycles	5,000 Cycles	no data!
	Rated Load		4,500 Cycles 50mΩ max.	3,500 Cycles 30mΩ max.	no data!
Insertion Force			1500gf~2000gf MAX (Springback:1200gf-1700gf)		

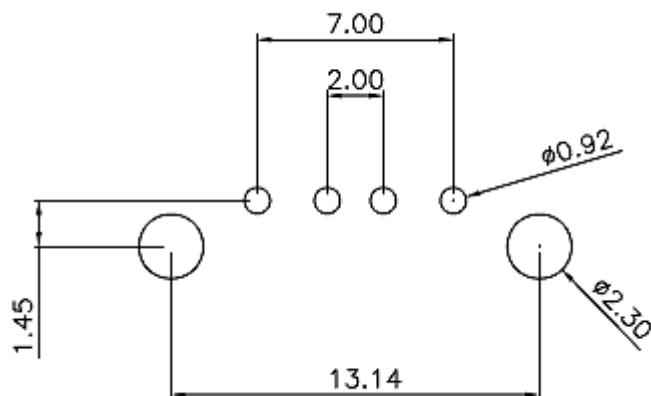
表面插裝 DIP

側向導入 LATERAL

精密部品 NICETY

可靠 STABILIZE

適合環保 RoHS

CIRCUIT BOARD SIZE
(Vertical view)

PIN Assignment

Pin DESIGN

Pin No.	Pin NAME	Type	Description
①	接觸端子 M1	2	磷銅 C5191 (鍍金 1u" / 焊區霧錫)
②	接觸端子 M2	2	磷銅 C5191 (鍍金 1u" / 焊區霧錫)
③	外壳	1	黃銅 C2680/SPCC [鍍鎳 50u" min]
④	胶芯	1	PBT 熱塑性塑料 [Black]

本品不屬於危害性廢棄物,須丟棄時可以委託回收商予以回收再生處理。Products do not belong to hazardous waste, When waste can recycling processing

運送時本產品不要直接與水、酸鹼性化學物質接觸,或放置於含有以上氣體環境中,並且需要注意會有滑落、側翻的危險發生;運輸過程中不能有碰撞或者擠壓,須保證溫度與濕度適中[常溫 25°C,濕度在 50°C 以內],不可導致材料變形或氧化。

注記 NOTICE

1. 碩方電子公司擁有最終解釋權; The company reserves the right of final interpretation;
2. 文件禁止外洩、轉載; Leaked and reproduced prohibited;
3. 未經授權修改無效。Modify is invalid.