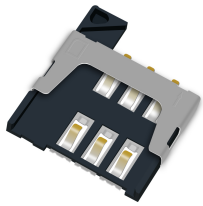




LTEM NO.: SMO-1504 (Consumer Electronics)

(15.5L × 13.5W × 1.6H & MICRO-SIM Sockets)

### MEMORY-CARD-SOCKETS



#### Technical parameter

內焊貼裝 SMT

PROJECT	LEVEL	A[better product]	B[average product]
		Electrical Properties	Contact Rating 50mA, 24V DC
Durable Performance	Initial Contact Resistance	50mΩ max.	80mΩ max.
	Insulation Resistance	100MΩ min. 500V DC	
	Withstand Voltage	500V AC for 1 minute	350 V AC for 1 minut
	There No Load	5,000 Cycles	3,500 Cycles
	Rated Load	3,500 Cycles	2,500 Cycles
	Storage temp.	-35℃~+75℃(Operating Temp: )	

側向導入 LATERAL

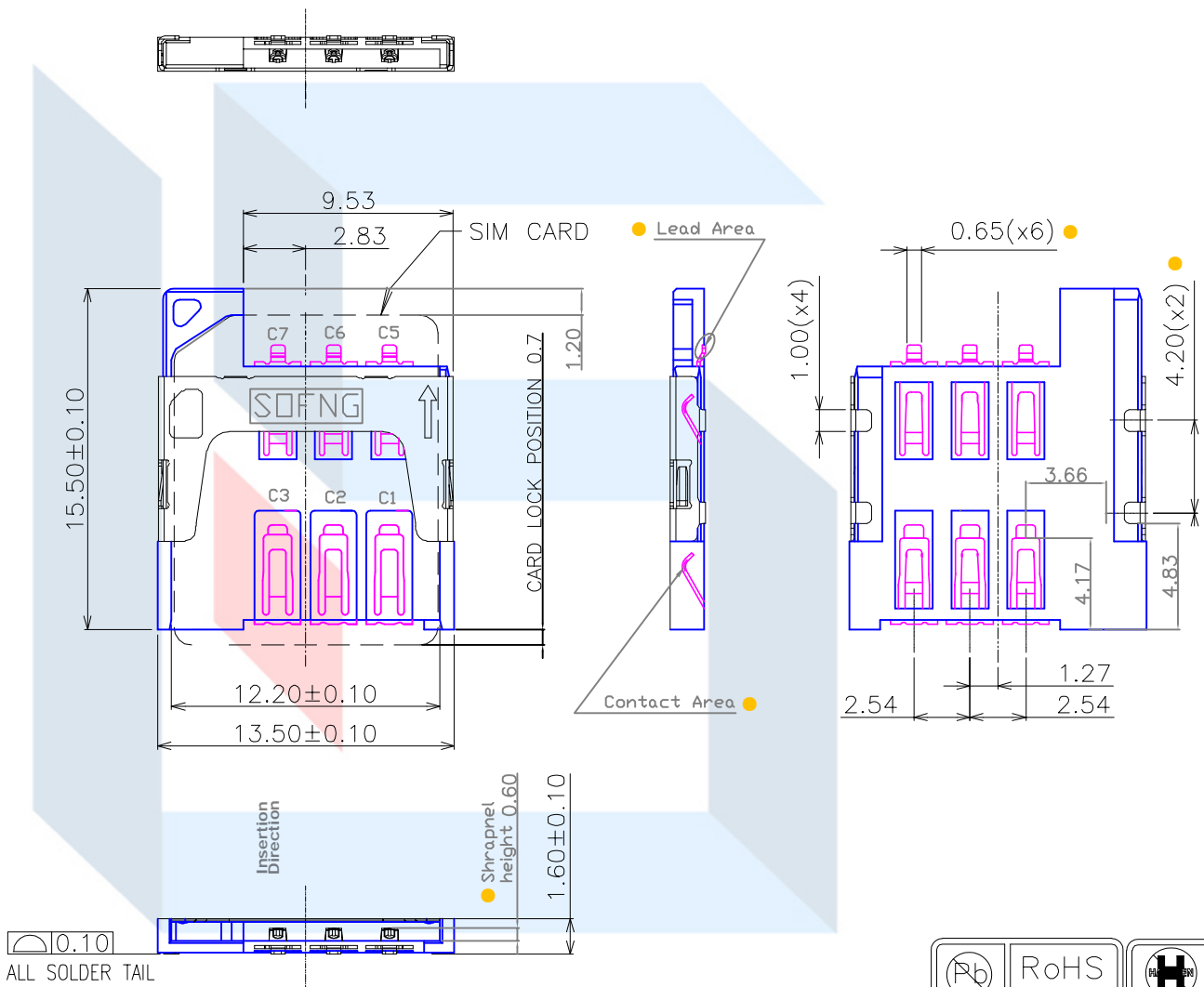
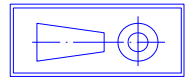
精密部品 NICETY

可靠 STABILIZE

適合環保 RoHS

Page1

Unit:mm



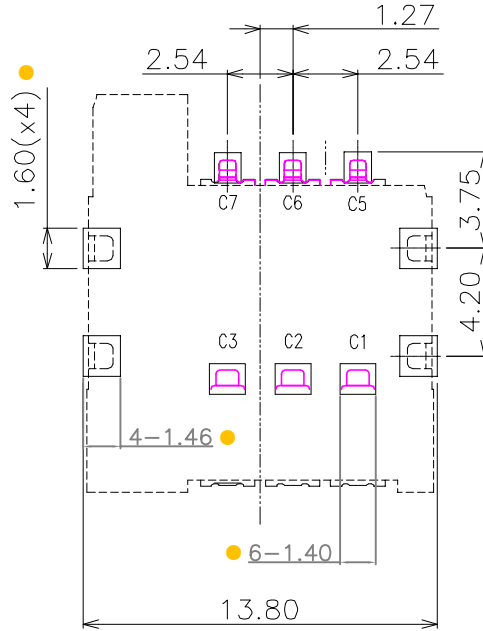
**Operating Force**

Inward  
Exiting

2.5~3.5N. (1N.=100gram-force)  
2.5~3.5N. (1N.=100gram-force)

**Solder-ability (Max.)**

IR Reflow:255°C,5sec. Manual:350°C,3sec.

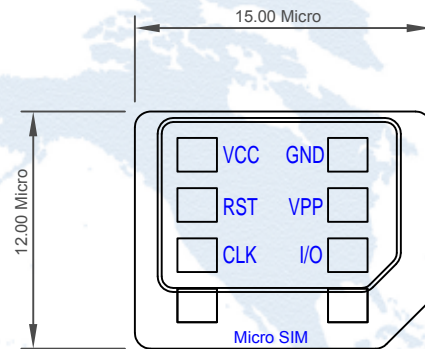


DECIMALS	ANGLES
.X :±0.20	X.° :±1.5°
.XX :±0.10	X.X° :±1.0°
.XXX :±0.05	XXX° :±0.5°

**Pin definition**

Pin No.	Pin NAME	Type	Description
C ①	卡電源	1	VCC
C ②	復位	1	RST
C ③	時鐘	1	CLK
C ④	Reserved	1	Reserved
C ⑤	接地	1	GND
C ⑥	Vpp	1	VPP
C ⑦	輸入/輸出	1	I/O
C ⑧	Reserved	1	Reserved

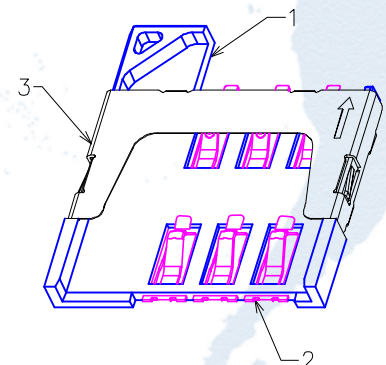
**MICRO-SIM**



Reference

**Material declaration**

NAME	MATERIAL	PLATING
1 基座 HOUSING	LCP 耐热塑胶 (UL94V-0)BLACK	SET
2 接触端子 TERMINAL	C5210-EH (t=0.20mm)磷铜【镍基 Ni50u" 镀金 1u"】	G/F
3 上盖 COVER	SUS304(t=0.25mm)不锈钢【GND 焊点镀金 1u"】	G/F



**注記 NOTICE**

1. 碩方公司擁有最終解釋權; The SOFNG company reserves the right of final interpretation;
2. 文件禁止外洩、轉載; Leaked and reproduced prohibited;
3. 未經授權修改無效。Modify is invalid.