

Operation: SMT& 侧贴板式 1.0A/ 电源连接器



LTEM NO.:DC-044-T20
(L11.5×W7.6×H9.6 DC-POWER-SOCKETS)



Technical parameter

PROJECT	LEVEL	A[better product]	B[average product]
		Contact Rating	
Electrical Properties	Initial Contact Resistance	30mΩ max.	50mΩ max.
	Insulation Resistance	100MΩ min.500V DC	Skey/PD: 100MΩ min.300V DC
	Withstand Voltage	500V AC for 1 minute	350 V AC for 1 minut
Durable Performance	There No Load	6,000 Cycles	5,000 Cycles
	Rated Load	5,000 Cycles	4,000 Cycles
	Storage temp.	-25℃~+75℃(Operating Temp:)	

插件封装 DIP

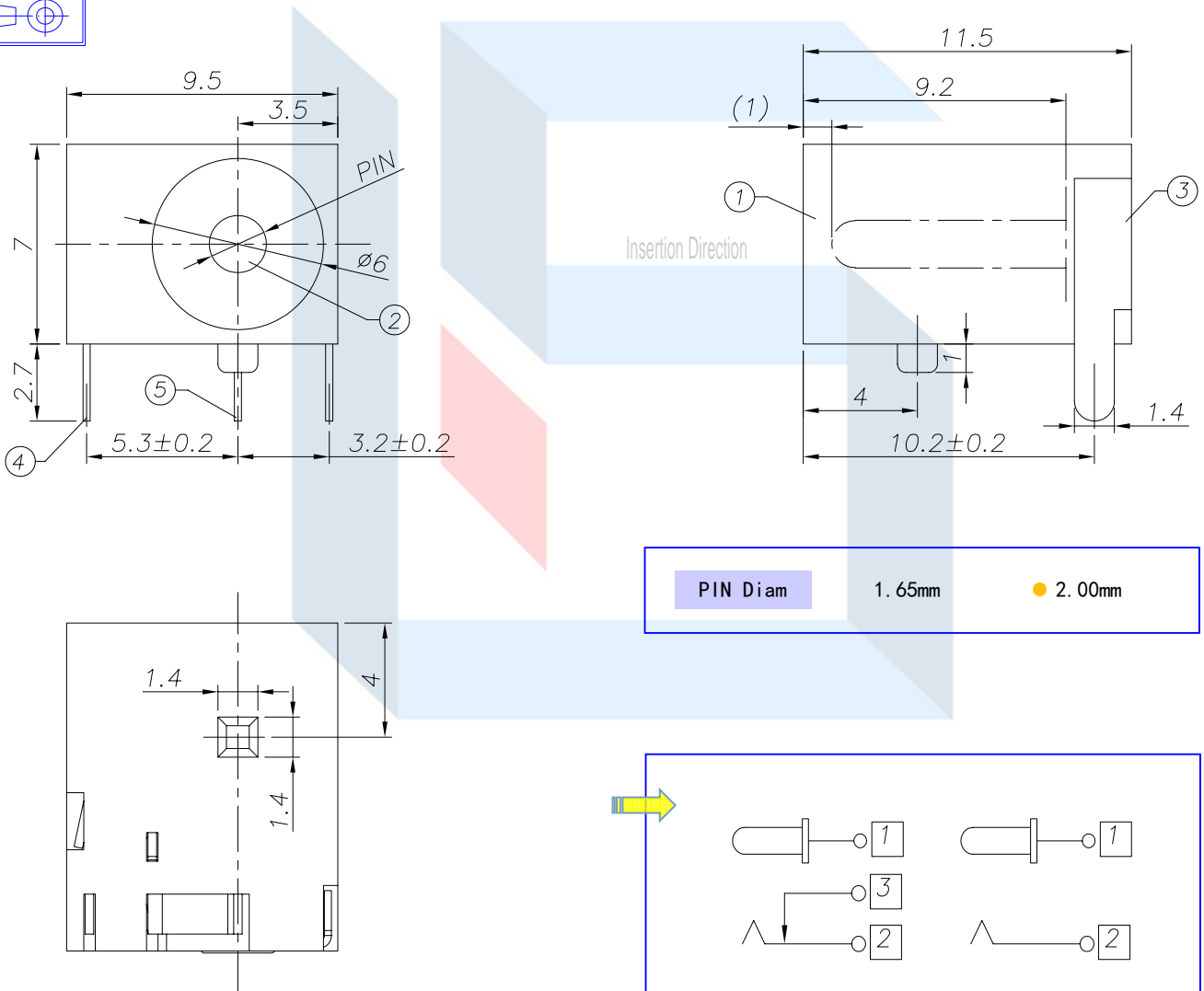
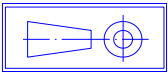
侧向导入 LATERAL

精密部品 NICETY

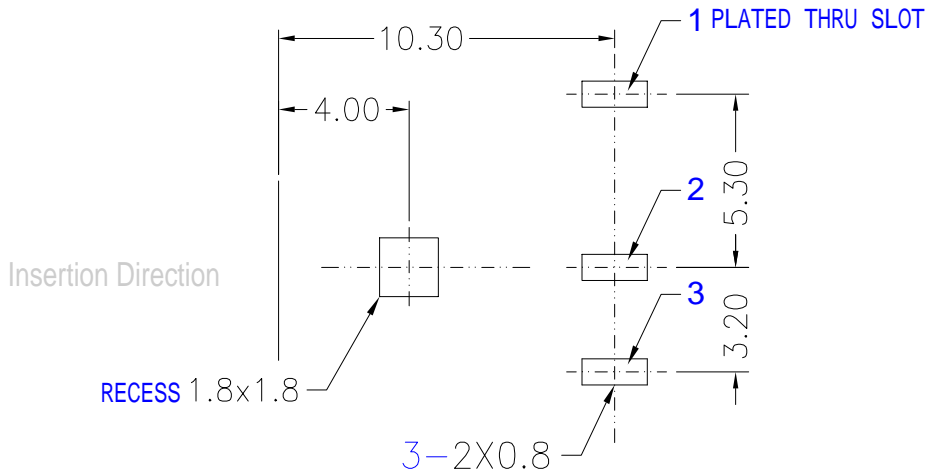
可靠 STABILIZE

适合环保 RoHS

Unit:mm



Operating Force	Inward	6. 0N(100grams) ±350gf
	Exiting	6. 5N(100grams) ±350gf



Pin Definition

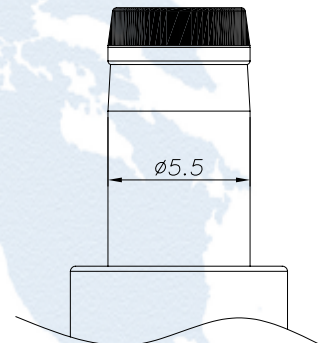


Material declaration

No.	NAME	Type	Description
① A	基座 CASE	1	耐热尼龙 PBT
② B	动态端子 Moving Ccontact	1	H65 磷铜[镀银]t=0.3mm
③ C	静态端子 Moving Ccontact	1	H62 黄铜带 BRASS[镀银]t=0.3mm
④ D	平片 FLAT PIECE	1	H62 黄铜带 BRASS[镀银]t=0.3mm
⑤ E	芯针 AXIS SUPPORT	1	H62 黄铜棒 BRASS[镀银]

PRODUCT MEET THE REQUEST OF THE ROHS

MATTER	RoHs (PPM)
Cd	≤ 100
Pb	≤ 1000
Hg	≤ 1000
Cr6+	≤ 1000
PBB	≤ 1000
PBDE	≤ 1000



本品不屬於危害性廢棄物,須丟棄時可以委託回收商予以回收再生處理。
Products do not belong to •

運送時本產品不要直接與水、酸鹼性化學物質接觸,或放置於含有以上氣體環境中,並且需要注意會有滑落、側翻的危險發生; 運輸過程中不能有碰撞或者擠壓,須保證溫度與濕度適中 [常溫 25℃,濕度在 50℃以內],不可導致材料變形或氧化。

注記 NOTICE

1. 碩方公司擁有最終解釋權; The company reserves the right of final interpretation;
2. 文件禁止外洩、轉載; Leaked and reproduced prohibited;
3. 未經授權修改無效。Modify is invalid.