



深圳市首韩科技有限公司

SHENZHEN SHOUHAN TECHNOLOGY CO., LTD

Tel: 0755-27597601 Fax: 0755-27597491

承 认 书

SPECIFICATION FOR APPROVAL

客 户 Customer:

产品名称 Project:

拨动开关

规格型号 Part No:

SS12D07VG4

贵公司承认印 Approval signatures

料 号/Part No.	签 章/Signatures

日期 Date:

拟制/Drawn	李春风	
审核/Check	刘学	
批准/Approved	罗孝金	

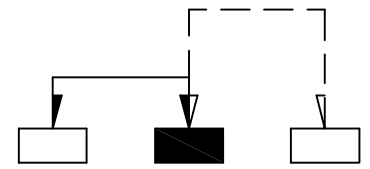
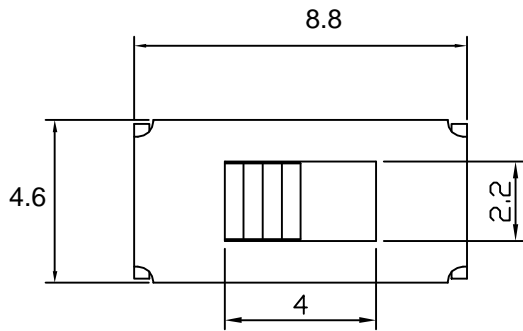
产品规格书

产品系列 TITLE: PUSH SLIDE SWITCH

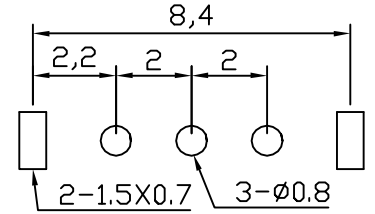
产品名称 MODEL:

产品规格: SS12D07VG4

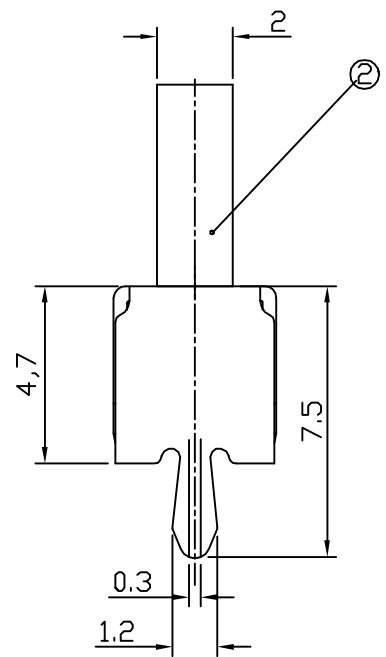
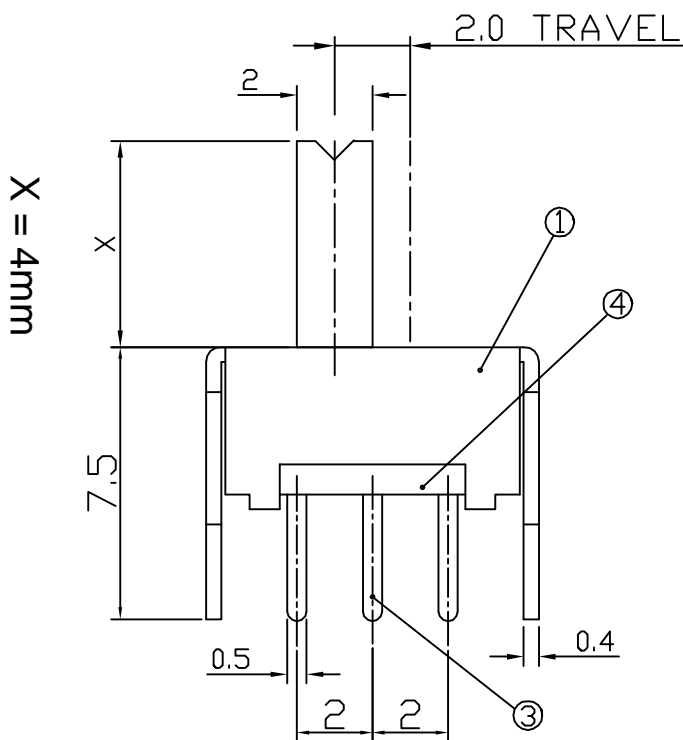
项目、规格测试条件及要求	
一、外观规格尺寸 CONSTRUCTION	
1.	形状、规格尺寸 依照图形规定 SHAPE AND DIMENSIONS SUBJECT TO ATTACHED CHART REGULATION .
2.	外观 各部分应良好无生锈、裂痕、电镀不良现象。 APPEARANCE: EVERY PART SHOULD BE FINISHED NOT TO EXIST RUST、FLAW、CRACK AND BAD PLATING.
二、机械性能 MECHANICAL STRUCTURE	
1.	作动力 OPERATION FORCE:150-300gf
2.	端子强度 于各端子尖端加 400gF 压力, 1 分钟内端子无松动、脱落及端子无破裂。 STAKING TERMINALS: WHEN 400g/gs IN/ARE WEIGHTED ON TOP TERMINAL IN EVERY DIRECTION FOR ONE MINUTE. LOOSE STAKING OF TERMINAL AND DAMAGE ON STATOR BOARD SHOULD NOT EXIST .
3.	柄强度 以一个 1 公斤静负荷力施加在柄部操作方向 1 分钟。柄部无严重变形, 可正常工作。 STAKING KNOB: WITH 1KG QUIET BURDEN OPERATE DIRECTION ON KNOB LAST PART THE KNOB HAS NO SEVERITY TO TRANSFORM AND RUBTUER,CAN WORK NORMALLY.
三、电气性能 ELECTRICAL STRUCTURE	
1.	额定功率 RATING DC 50V 0.5A
2.	时间特性 TIMING NON SHORTING
3.	接触电阻 DC 5V 1A 电压下降法; 1K HZ 20Ma 以下, 接触电阻小于 30mΩ。 CONTACT RESISTANCE: LESS THAN 30mΩ ON DC 5V 1A MEASURED BY VOLTAGE ESREASING METHOD OR MEASURED BY 1K HZ LESS THAN 20Ma.
4.	绝缘电阻 DC 500V 250MΩ 以上。 INSULATION RESISTANCE: MORE THAN 250MΩ ON DC 500V MEASURED BY INSULATION TESTER.
5.	耐电压 50-60HZ AC 500V 1 分钟无异常发生。 WITHSTAND VOLTAGE: AC 500V, 50-60 HZ FOR 1 MIN.
四、耐湿性	放置于温度 40±2℃, 相对湿度 90%—95% 以内 48 小时后, 在常温 中放置 1 小时后测定测定绝缘电阻为 10MΩ 以上 HUMIDITY TEST: INSULATION RESISTANCE IS 10 MΩ OVER MEASURED WITHIN 30 MINUTE AFTER REMAINING SWITCH FOR 48 HOUR AT THE CONDITION OF TEMPERATUER 40 ±2℃ AND HUMIDTY 90-95%.
五、耐焊性	人工焊 5 秒内 260±10℃ 自动焊 5 秒内 230±10℃ SOLDER HEAT RESISTANCE: MANUAL SLODERING: WITHIN 4 SECOND 260±10℃ AUTOMATIC SLODERING: WITHIN 5 SECOND 230±10℃
六、寿命测试 LIFE TEST 5000 次	
1.	测试机速度 SPEET OF TESTING MACHINE: 15-18 CYCLE/MIN



SCHEMATIC



PCB LAYOUT



NO	PART	MATERIAL	QTY	FINISHING	NO	PART	MATERIAL	QTY	FINISHING
1	FRAME	C R S	1	NI PLATED	4	TERMINAL BASE	PHENOL RESIN	1	NATURAL
2	KNOB	P O M	1	BLACK	5	CONTACT	B S P	1	AG PLATED
3	TERMINAL	B S P	3	AG PLATED					

ISSUED	SPECIFICATION				TITLE: SLIDE SWITCH				
	RATING: DC 50V 0.3A				MODEL NO: SS12D07VG4				
	CONTACT RESISTANCE: 50m ohm max				UNIT:	mm	DWN		
	INSULATION RESISTANCE: 100M ohm at 500V DC				SCALE:	4:1	CHK'D		
	WITHSTAND VOLTAGE: AC 500V for 1 minute				TOLERANCE:	0.1mm	APPD		
	SWITCHING LIFE:								
VERSION:	第 1 版	DATE:	2001-04-24						

DRWG NO: 深圳市首韩科技有限公司