

ALUMINUM ELECTROLYTIC CAPACITORS SPECIFICATION SHEET

| | | |
|----------------------|----------------------------|----------------|
| CUSTOMER PART No. | | |
| RUBYCON PART No. | 450 USG 390 M CDA SN 35X35 | |
| DRAWING No. | REE - 046638 | ISSUE No. 1 |
| ISSUE DATE | 16-Dec-14 | |

RUBYCON CORPORATION

ENGINEERING DIVISION

1938-1, NISHIMINOWA, INA-SHI, NAGANO-KEN, JAPAN

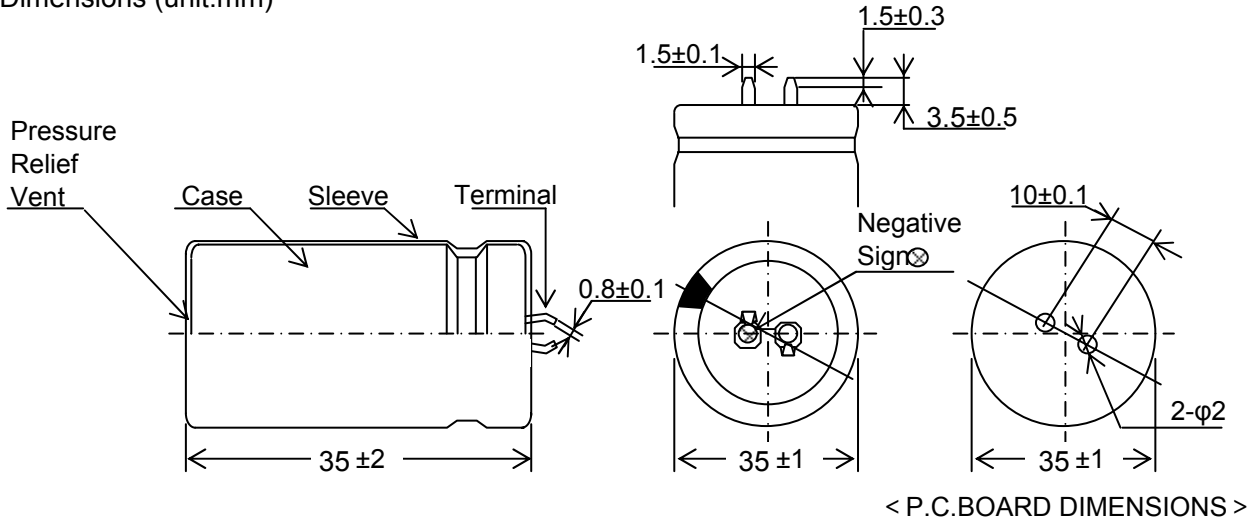
TEL No. +81-265-72-7116

FAX No. +81-265-73-3380

| | |
|----------|--------------------|
| DESIGN | <i>K. Takenaka</i> |
| CHECK | <i>H. Horikawa</i> |
| APPROVAL | <i>G. Fuku</i> |

| | | |
|--|-----------------------------|----------------------------|
| Fixed aluminum electrolytic capacitors for use in electronic equipment | Customer Part Number | |
| | Rubycon Part Number | 450 USG 390 M CDA SN 35X35 |
| | Style | CE692 |
| | Operating Temperature Range | -25 ~ +85 |
| | The General Standard | JIS C 5141(1991) |

1. Dimensions (unit:mm)



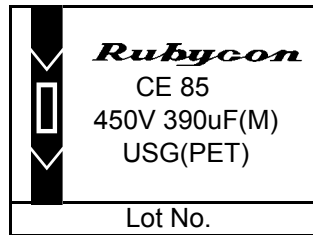
| | | | | | |
|------------|--------|------|---------------------------|-------------------|--|
| Name | Sleeve | Case | Seal | Terminal | |
| Material | P.E.T. | Al | Rubber-laminated bakelite | SPCC(Tin plating) | |
| Appearance | Black | | | | |

2. Electrical Performance

| Nominal Capacitance (uF) | Capacitance Tolerance (%) | Rated Voltage (V.DC) | Surge Voltage (V.DC) | Leakage Current Max./5min (uA) | tanδ Max. | Rated Ripple Current (A.r.m.s) |
|--------------------------|---------------------------|----------------------|----------------------|--------------------------------|-----------|--------------------------------|
| 20 /120Hz | 20 /120Hz | | | 20 | 20 /120Hz | 85 /120Hz |
| 390 | -20 ~ +20 | 450 | 500 | 1256 | 0.20 | 2.32 |

3. Marking: Unless otherwise specified, capacitor shall be clearly marked on its body.

- (1) Brand
- (2) Mark Indicating Electrolytic Capacitor
- (3) Maximum Operating Temperature
- (4) Rated Voltage
- (5) Nominal Capacitance (Tolerance)
- (6) Series (Sleeve material)
- (7) Polarity
- (8) Lot No.



4. Temperature Characteristics (Impedance ratio at 120Hz)

Z (-25)/Z (20) : 12 MAX.

5. Frequency Coefficient of Rated Ripple current

| | | | | | |
|---------------|--------|------|------|------|------|
| Frequency(Hz) | 60(50) | 120 | 500 | 1k | 10k |
| Coefficient | 0.80 | 1.00 | 1.20 | 1.25 | 1.40 |

| | | | |
|----------------------------|---------------------------------------|-------------|-----------|
| 450 USG 390 M CDA SN 35X35 | Rubycon RUBYCON CORPORATION | DRAWING No. | ISSUE No. |
| | | REE-046638 | 1 |

6. Temperature Coefficient of Rated Ripple current

| | | | |
|------------------------|------|------|--|
| Ambient Temperature() | 85 | 65 | |
| Coefficient | 1.00 | 1.44 | |

7. Load Life Test

After 3000+72/0 hours application of D.C. rated working voltage with full rated ripple current at 85±2 , the capacitor shall meet the following requirements.

- Capacitance Change : Within ±20% of the initial value
- Dissipation Factor : Not more than 200% of the specified value
- Leakage Current : Not more than the specified value

8. Notes (on the use of aluminum electrolytic capacitors)

(1) Insulation

Aluminum electrolytic capacitors are covered with P.E.T. sleeve which purpose is mainly indication of necessary items.

The case of capacitor and the cathode terminal are not insulated.

(2) Polarity

Please confirm the polarity before use because this capacitor has polarity.

*Guide to application except the above are described in our catalog and EIAJ RCR-2367C.
 EIAJ RCR-2367C: "Safety Application Guide for fixed aluminum electrolytic capacitors for use in electronic equipment"

| | | | |
|----------------------------|---------------------------------------|-------------|-----------|
| 450 USG 390 M CDA SN 35X35 | Rubycon RUBYCON CORPORATION | DRAWING No. | ISSUE No. |
| | | REE-046638 | 1 |