

Messrs. BESTONE

ALUMINUM ELECTROLYTIC CAPACITORS SPECIFICATION SHEET

CUSTOMER PART No.		
RUBYCON PART No.	400 KXF 56 M CDA SN 20X20	
DRAWING No.	REE -047497	ISSUE No. 1
ISSUE DATE	28-Mar-16	



RUBYCON CORPORATION

ENGINEERING DIVISION

1938-1, NISHIMINOWA, INA-SHI, NAGANO-KEN, JAPAN

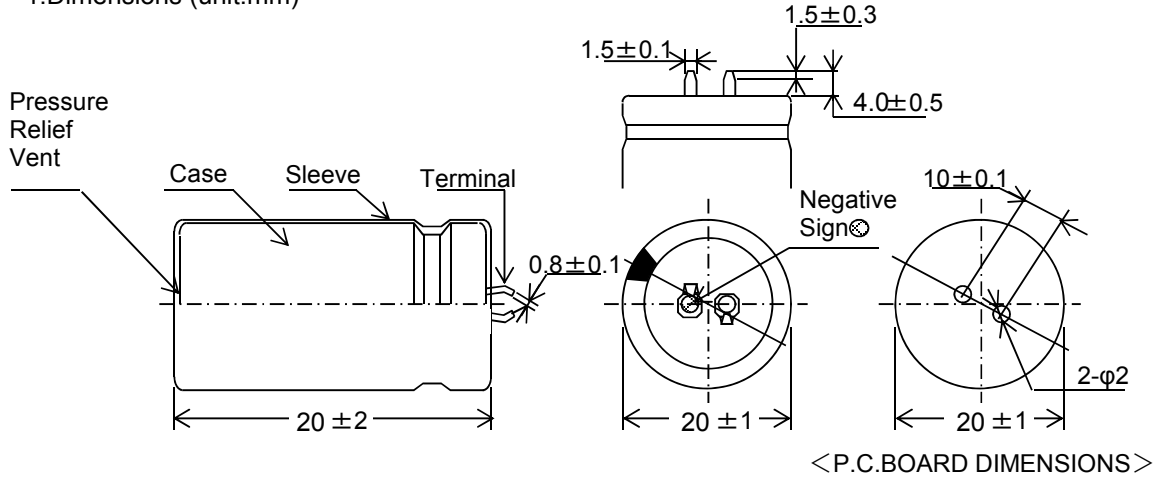
TEL No. +81-265-72-7116

FAX No. +81-265-73-3380

DESIGN	<i>K. Iguchi</i>
CHECK	<i>H. Horikawa</i>
APPROVAL	<i>[Signature]</i>

Fixed aluminum electrolytic capacitors for use in electronic equipment	Customer Part Number	
	Rubycon Part Number	400 KXF 56 M CDA SN 20X20
	Style	CE692
	Operating Temperature Range	-25°C~+105°C
	The General Standard	JIS C 5141(1991)

1. Dimensions (unit:mm)



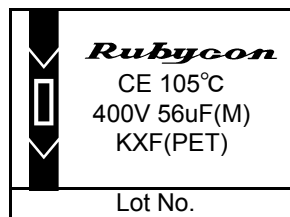
Name	Sleeve	Case	Seal	Terminal
Material	P.E.T.	Al	Rubber-laminated bakelite	SPCC(Tin plating)
Appearance	Black			

2. Electrical Performance

Nominal Capacitance (uF)	Capacitance Tolerance (%)	Rated Voltage (V.DC)	Surge Voltage (V.DC)	Leakage Current Max./5min (uA)	tanδ Max.	Rated Ripple Current (A.r.m.s)
20°C/120Hz	20°C/120Hz			20°C	20°C/120Hz	105°C/120Hz
56	-20 ~ +20	400	450	448	0.20	0.40

3. Marking: Unless otherwise specified, capacitor shall be clearly marked on its body.

- (1) Brand
- (2) Mark Indicating Electrolytic Capacitor
- (3) Maximum Operating Temperature
- (4) Rated Voltage
- (5) Nominal Capacitance (Tolerance)
- (6) Series (Sleeve material)
- (7) Polarity
- (8) Lot No.



4. Temperature Characteristics (Impedance ratio at 120Hz)

Z (-25°C)/Z (20°C): 8 MAX.

5. Frequency Coefficient of Rated Ripple current

Frequency(Hz)	60(50)	120(100)	300	500	1k	10k≤
Coefficient	0.80	1.00	1.15	1.20	1.25	1.40

400 KXF 56 M CDA SN 20X20	 RUBYCON CORPORATION	DRAWING No.	ISSUE No.
		REE-047497	1

6. Temperature Coefficient of Rated Ripple current

Ambient Temperature(°C)	105	85	65 \geq
Coefficient	1.00	1.88	2.26

7. Load Life Test

D.C.voltage and rated ripple current shall be applied to capacitors for a period of 3000 +72/0 hours at maximum operating temperature.

The D.C.voltage and peak A.C.voltage combined must not exceed the rated voltage.

The capacitors under test shall be protected against direct heat radiation from the heat source.

After the test, the capacitor shall meet the following requirements.

Capacitance Change : Within $\pm 20\%$ of the initial value
Dissipation Factor : Not more than 200% of the specified value
Leakage Current : Not more than the specified value

8. Notes (on the use of aluminum electrolytic capacitors)

(1) Charge and discharge

Do not use for a circuit where rapid charge and discharge is frequently repeated.

(2) Insulation

Aluminum electrolytic capacitors are covered with P.E.T. sleeve which purpose is mainly indication of necessary items.

The case of capacitor and the cathode terminal are not insulated.

(3) Polarity

Please confirm the polarity before use because this capacitor has polarity.

*Guide to application except the above are described in our catalog and EIAJ RCR-2367C.

EIAJ RCR-2367C: "Safety Application Guide for fixed aluminum electrolytic capacitors for use in electronic equipment"

400 KXF 56 M CDA SN 20X20

Rubycon
RUBYCON CORPORATION

DRAWING No.

REE-047497

ISSUE No.

1