

**YXS SERIES**
**NEW**
**105°C Miniaturized, Low Impedance**

• Load Life : 105°C 3000~6000 hours.

RoHS compliance


**◆ SPECIFICATIONS**

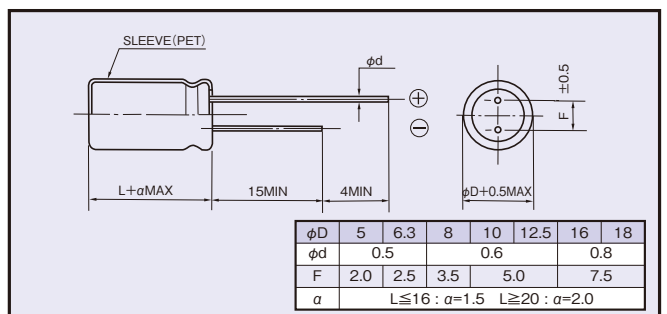
Items	Characteristics																					
Category Temperature Range	-40~+105°C																					
Rated Voltage Range	6.3~50Vdc																					
Capacitance Tolerance	±20% (20°C, 120Hz)																					
Leakage Current(MAX)	I=0.01CV or 3µA whichever is greater. (After 2 minutes) I=Leakage Current(µA) C=Capacitance(µF) V=Rated Voltage(Vdc)																					
Dissipation Factor(MAX)	<table border="1"> <thead> <tr> <th>Rated Voltage (Vdc)</th> <th>6.3</th> <th>10</th> <th>16</th> <th>25</th> <th>35</th> <th>50</th> </tr> </thead> <tbody> <tr> <td>tanδ</td> <td>0.22</td> <td>0.19</td> <td>0.16</td> <td>0.14</td> <td>0.12</td> <td>0.10</td> </tr> </tbody> </table> (20°C, 120Hz) When capacitance is over 1000µF, tan δ shall be added 0.02 to the listed value with increase of every 1000µF.	Rated Voltage (Vdc)	6.3	10	16	25	35	50	tanδ	0.22	0.19	0.16	0.14	0.12	0.10							
Rated Voltage (Vdc)	6.3	10	16	25	35	50																
tanδ	0.22	0.19	0.16	0.14	0.12	0.10																
Endurance	After applying rated voltage with rated ripple current for specified time at 105°C, the capacitors shall meet the following requirements. <table border="1"> <thead> <tr> <th>Capacitance Change</th> <td>Within ±25% of the initial value. (6.3Vdc, 10Vdc : ±30%)</td> <th>Case Size</th> <th>Life Time (hrs)</th> </tr> </thead> <tbody> <tr> <td>Dissipation Factor</td> <td>Not more than 200% of the specified value.</td> <td>5×11</td> <td>3000</td> </tr> <tr> <td>Leakage Current</td> <td>Not more than the specified value.</td> <td>6.3×11, 8×11.5</td> <td>4000</td> </tr> <tr> <td></td> <td></td> <td>8×16, 8×20, 10×12.5</td> <td>5000</td> </tr> <tr> <td></td> <td></td> <td>φ10 L≥16, φD≥12.5</td> <td>6000</td> </tr> </tbody> </table>	Capacitance Change	Within ±25% of the initial value. (6.3Vdc, 10Vdc : ±30%)	Case Size	Life Time (hrs)	Dissipation Factor	Not more than 200% of the specified value.	5×11	3000	Leakage Current	Not more than the specified value.	6.3×11, 8×11.5	4000			8×16, 8×20, 10×12.5	5000			φ10 L≥16, φD≥12.5	6000	
Capacitance Change	Within ±25% of the initial value. (6.3Vdc, 10Vdc : ±30%)	Case Size	Life Time (hrs)																			
Dissipation Factor	Not more than 200% of the specified value.	5×11	3000																			
Leakage Current	Not more than the specified value.	6.3×11, 8×11.5	4000																			
		8×16, 8×20, 10×12.5	5000																			
		φ10 L≥16, φD≥12.5	6000																			
Low Temperature Stability Impedance Ratio(MAX)	<table border="1"> <thead> <tr> <th>Rated Voltage(Vdc)</th> <th>6.3</th> <th>10</th> <th>16</th> <th>25</th> <th>35</th> <th>50</th> </tr> </thead> <tbody> <tr> <td>Z(-25°C)/Z(20°C)</td> <td>4</td> <td>3</td> <td>2</td> <td>2</td> <td>2</td> <td>2</td> </tr> <tr> <td>Z(-40°C)/Z(20°C)</td> <td>8</td> <td>6</td> <td>4</td> <td>3</td> <td>3</td> <td>3</td> </tr> </tbody> </table> (120Hz)	Rated Voltage(Vdc)	6.3	10	16	25	35	50	Z(-25°C)/Z(20°C)	4	3	2	2	2	2	Z(-40°C)/Z(20°C)	8	6	4	3	3	3
Rated Voltage(Vdc)	6.3	10	16	25	35	50																
Z(-25°C)/Z(20°C)	4	3	2	2	2	2																
Z(-40°C)/Z(20°C)	8	6	4	3	3	3																

**◆ MULTIPLIER FOR RIPPLE CURRENT**

Frequency (Hz)		120	1k	10k	100k≤
Coefficient	22~33µF	0.42	0.70	0.90	1.00
	47~270µF	0.50	0.73	0.92	1.00
	330~680µF	0.55	0.77	0.94	1.00
	820~1800µF	0.60	0.80	0.96	1.00
	2200~22000µF	0.70	0.85	0.98	1.00

**◆ DIMENSIONS**

(mm)


**◆ PART NUMBER**

□□□	YXS	□□□□□	M	□□□	□□	D×L
Rated Voltage	Series	Capacitance	Capacitance Tolerance	Option	Lead Forming	Case Size

**◆ OPTION**

	Code
PET Sleeve	EFC

**◆ STANDARD SIZE**

Rated Voltage (Vdc)	Capacitance (μF)	Size φD×L(mm)	Rated ripple current (mA r.m.s./105°C, 100kHz)	Impedance (Ω MAX)	
				20°C, 100kHz	-10°C, 100kHz
6.3	150	5×11	210	0.58	2.3
	220	5×11	210	0.58	2.3
	330	6.3×11	340	0.22	0.87
	470	6.3×11	340	0.22	0.87
	680	8×11.5	730	0.12	0.48
	820	8×16	1050	0.069	0.27
	1000	8×11.5	730	0.120	0.48
	1200	8×16	1050	0.069	0.27
	1200	10×12.5	1210	0.060	0.24
	1500	10×16	1450	0.046	0.18
	1800	10×20	1720	0.037	0.15
	2200	10×20	1720	0.037	0.15
	2700	10×23	1910	0.031	0.12
	2700	12.5×16	1730	0.040	0.12
	3300	12.5×16	1730	0.040	0.12
	3900	12.5×20	2160	0.028	0.089
	3900	16×16	1940	0.042	0.11
	4700	12.5×25	2650	0.024	0.065
	5600	12.5×25	2650	0.024	0.065
	5600	12.5×30	2880	0.020	0.065
	6800	12.5×35	3350	0.017	0.063
	6800	16×20	2540	0.021	0.060
8200	16×25	3060	0.017	0.050	
10000	16×31.5	3610	0.017	0.044	
10000	18×20	2860	0.026	0.060	
12000	16×35.5	4080	0.015	0.038	
12000	18×25	3140	0.019	0.045	
15000	18×31.5	4170	0.015	0.038	
18000	18×35.5	4280	0.014	0.032	
22000	18×40	4550	0.012	0.030	
10	100	5×11	210	0.58	2.3
	220	5×11	210	0.58	2.3
	220	6.3×11	340	0.22	0.87
	470	6.3×11	340	0.22	0.87
	680	8×11.5	730	0.120	0.48
	680	8×16	1050	0.069	0.27
	1000	8×16	1050	0.069	0.27
	1000	10×12.5	1210	0.060	0.24
	1200	10×16	1450	0.046	0.18
	1500	8×20	1650	0.042	0.17
	1500	10×16	1450	0.046	0.18
	1500	10×20	1720	0.037	0.15
	1800	10×20	1720	0.037	0.15
	2200	10×23	1910	0.031	0.12
	2200	12.5×16	1730	0.040	0.12
	2700	16×16	1940	0.042	0.11
	3300	12.5×20	2160	0.028	0.089
	3900	12.5×25	2650	0.024	0.065
	4700	12.5×30	2880	0.020	0.065
	5600	12.5×35	3350	0.017	0.063
	5600	16×20	2540	0.021	0.060
	6800	16×25	3060	0.017	0.050
6800	18×20	2860	0.026	0.060	
8200	16×31.5	3610	0.017	0.044	
8200	18×25	3140	0.019	0.045	
10000	16×35.5	4080	0.015	0.038	
10000	18×31.5	4170	0.015	0.038	
12000	18×35.5	4280	0.014	0.032	
15000	18×40	4550	0.012	0.030	
16	56	5×11	210	0.58	2.3
	120	5×11	210	0.58	2.3
	330	6.3×11	340	0.22	0.87
	470	8×11.5	730	0.120	0.48
	470	8×16	1050	0.069	0.27
	680	8×16	1050	0.069	0.27
	680	10×12.5	1210	0.060	0.24
	1000	8×20	1650	0.042	0.17
	1000	10×16	1450	0.046	0.18
	1000	10×20	1720	0.037	0.15
	1200	10×20	1720	0.037	0.15
	1500	10×20	1720	0.037	0.15
	1500	10×23	1910	0.031	0.12
	1500	12.5×16	1730	0.040	0.12
	1800	10×23	1910	0.031	0.12
	2200	10×25	2230	0.027	0.089
	2200	12.5×20	2160	0.028	0.089
	2200	16×16	1940	0.042	0.11
	2700	12.5×25	2650	0.024	0.065
	3300	12.5×30	2880	0.020	0.065
	3900	12.5×35	3350	0.017	0.063
	3900	16×20	2540	0.021	0.060
4700	16×25	3060	0.017	0.050	
4700	18×20	2860	0.026	0.060	
5600	16×31.5	3610	0.017	0.044	
5600	18×25	3140	0.019	0.045	
6800	16×35.5	4080	0.015	0.038	
8200	18×31.5	4170	0.015	0.038	
10000	18×35.5	4280	0.014	0.032	
12000	18×40	4550	0.012	0.030	
25	47	5×11	210	0.58	2.3
	100	5×11	210	0.58	2.3
	220	6.3×11	340	0.22	0.87
	330	8×11.5	730	0.120	0.48
	330	8×16	1050	0.069	0.27
	390	8×16	1050	0.069	0.27
	470	8×16	1050	0.069	0.27
	470	10×12.5	1210	0.060	0.24
	560	8×20	1650	0.042	0.17
	680	10×16	1450	0.046	0.18
	680	10×20	1720	0.037	0.15
	820	10×20	1720	0.037	0.15
	1000	10×20	1720	0.037	0.15
	1000	10×23	1910	0.031	0.12
	1000	12.5×16	1730	0.040	0.12
	1200	16×16	1940	0.042	0.11
	1500	12.5×20	2160	0.028	0.089
	1800	12.5×25	2650	0.024	0.065
	2200	12.5×30	2880	0.020	0.065
	2200	16×20	2540	0.021	0.060
	2700	12.5×35	3350	0.017	0.063
	2700	16×20	2540	0.021	0.060
3300	16×25	3060	0.017	0.050	
3300	18×20	2860	0.026	0.060	
3900	16×31.5	3610	0.017	0.044	
3900	18×25	3140	0.019	0.045	
4700	16×35.5	4080	0.015	0.038	
4700	18×31.5	4170	0.015	0.038	
5600	18×35.5	4280	0.014	0.032	
6800	18×40	4550	0.012	0.030	

**◆STANDARD SIZE**

Rated Voltage (Vdc)	Capacitance (μF)	Size φD×L(mm)	Rated ripple current (mA r.m.s./105°C, 100kHz)	Impedance (Ω MAX)	
				20°C, 100kHz	-10°C, 100kHz
35	33	5×11	210	0.58	2.3
	56	5×11	210	0.58	2.3
	150	8×11.5	730	0.12	0.48
	220	8×11.5	730	0.12	0.48
	220	8×16	1050	0.069	0.27
	270	8×16	1050	0.069	0.27
	330	10×12.5	1210	0.060	0.24
	390	8×20	1650	0.042	0.17
	470	10×16	1450	0.046	0.18
	470	10×20	1720	0.037	0.15
	560	10×20	1720	0.037	0.15
	680	10×23	1910	0.031	0.12
	680	12.5×16	1730	0.040	0.12
	1000	12.5×20	2160	0.028	0.089
	1000	16×16	1940	0.042	0.11
	1200	12.5×25	2650	0.024	0.065
	1500	12.5×30	2880	0.020	0.065
	1800	12.5×35	3350	0.017	0.063
	1800	16×20	2540	0.021	0.060
	2200	16×25	3060	0.017	0.050
2200	18×20	2860	0.026	0.060	
2700	16×31.5	3610	0.017	0.044	
2700	18×25	3140	0.019	0.045	
3300	16×35.5	4080	0.015	0.038	
3300	18×31.5	4170	0.015	0.038	
3900	18×35.5	4280	0.014	0.032	
4700	18×40	4550	0.012	0.030	
50	22	5×11	210	0.58	2.3
	56	6.3×11	340	0.22	0.87
	100	8×11.5	730	0.12	0.48
	120	8×11.5	730	0.12	0.48
	150	8×16	910	0.091	0.36
	180	8×16	910	0.091	0.36
	220	10×12.5	1050	0.084	0.34
	270	10×16	1220	0.060	0.24
	270	10×20	1440	0.055	0.22
	330	10×20	1440	0.055	0.22
	470	10×23	1690	0.043	0.17
	470	12.5×16	1670	0.045	0.15
	560	12.5×20	1950	0.034	0.11
	560	16×16	1830	0.054	0.15
	680	12.5×25	2510	0.025	0.083
	820	12.5×25	2510	0.025	0.083
	820	12.5×30	2680	0.024	0.077
	1000	12.5×35	2920	0.021	0.069
	1000	16×20	2460	0.025	0.075
	1200	16×25	2980	0.022	0.066
1200	18×20	2490	0.030	0.070	
1500	16×31.5	3150	0.019	0.057	
1800	16×35.5	3710	0.016	0.048	
1800	18×25	3150	0.022	0.057	
2200	18×31.5	3680	0.018	0.046	
2700	18×35.5	3800	0.014	0.038	
3300	18×40	4170	0.013	0.033	