

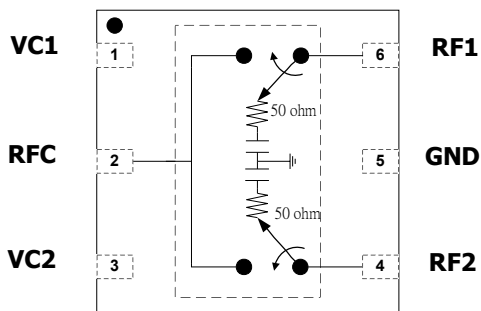
**RFIC Preliminary 2017.05 Rev1.0**

**DESCRIPTION**

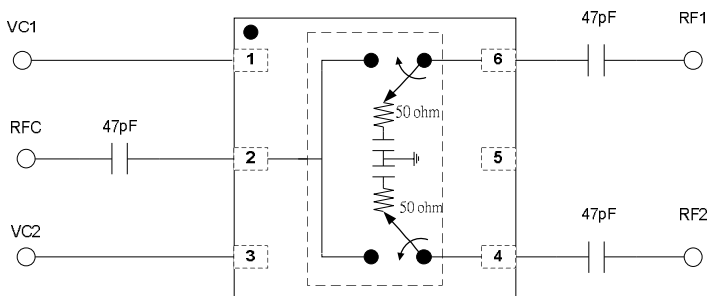
The SW470A is a SPDT GaAs switch, and designed for 0.1 to 6GHz frequency band application. The switch can be used for Tx/Rx selection or antenna diversity function in a variety of wireless communication systems.

The SW470A is housed in a miniature 1.5 x 1.5 (mm), 6-pin, DFN leadless package (Pb free), and features low insertion loss, high isolation and high linearity, particularly suitable for WiMAX, WLAN AP, and S-band wireless applications where high power switching is required.

**Pin & Block Diagram**



**Evaluation Board Schematic**



DC blocking capacitors are necessary for all RF ports (typical is 47 pF for >1GHz application). All unused ports are terminated in 50 Ω.

**KEY FEATURES**

- **Low Insertion:**  
0.7dB (Typ.) @ 2.4GHz  
1.0dB (Typ.) @ 5.8GHz
- **High Linearity**  
P1dB ~ 39dBm
- **Low Control Current ~ 5uA**
- **Lead-Free and RoHS compliant**
- **Non-Reflective switch**

**Pin Details**

Pin No.	Name	Description
1	VC1	RF1 On/Off logic control
2	RFC	RF Common Port
3	VC2	RF2 On/Off logic control
4	RF2	RF Port2
5	GND	GND
6	RF1	RF Port1
Central Paddle	GND	GND

**Logic Control Table**

VC1	VC2	RFC- RF1	RFC- RF2
High	Low	On	Off
Low	High	Off	On

High = +1.8V to +5V

Low = +0V to +0.2V

SW470A

## Electrical Characteristics for 25 °C Ambient Temperature

Logic High = 3V; Logic Low = 0V; T<sub>A</sub> = 25°C; unless otherwise noted.

Parameter	Specification			Units	Notes
	Min	Typ.	Max		
Insertion Loss (IL)		0.5	0.6	dB	DC – 1.0GHz 1.0 – 3.0GHz 3.0 – 5.0GHz 2.4 – 2.5GHz 4.9 – 5.9GHz
		0.6	0.8		
		0.8	1.1		
		0.65	0.8		
		1.1	1.3		
Isolation (ISO)	28	31		dB	DC – 1.0GHz 1.0 – 3.0GHz 3.0 – 5.0GHz 2.4 – 2.5GHz 4.9 – 5.9GHz
	27	31			
	26	30			
	28	31			
	23	25			
VSWR		1.4:1		dB	1.0 – 6.0GHz
IP1dB		39		dBm	1.0 – 6.0GHz, V <sub>High</sub> =3V, V <sub>Low</sub> =0V 1.0 – 6.0GHz, V <sub>High</sub> =1.8V, V <sub>Low</sub> =0V
		35			
IIP3		55		dBm	1.0 – 6.0GHz, V <sub>High</sub> =3V, V <sub>Low</sub> =0V ΔF = 1 MHz, Pin=+15dBm/tone
Switching Speed T <sub>ON</sub> /T <sub>OFF</sub>		200		ns	50% control to 90% RF and 50% control to 10% RF
Control Current		5	10	uA	

Note: All measurements made in a 50 ohm system.

## Absolute Maximum Ratings

Parameter	Rating	Unit
Gate-Source Voltage ( $V_{GS}$ )	+6	V
RF Input Power (under acceptable bias state, > 500MHz)	+38	dBm
Operating Ambient Temperature	-40 to +85	°C
Storage Temperature	-65 to +150	°C
Moisture Level	MSL1	
ESD Level	Class 1A HBM	

## Important Note:

The information provided in this datasheet is deemed to be accurate and reliable only at present time. RFIC Technology Corp. reserves the right to make any changes to the specifications in this datasheet without prior notice.

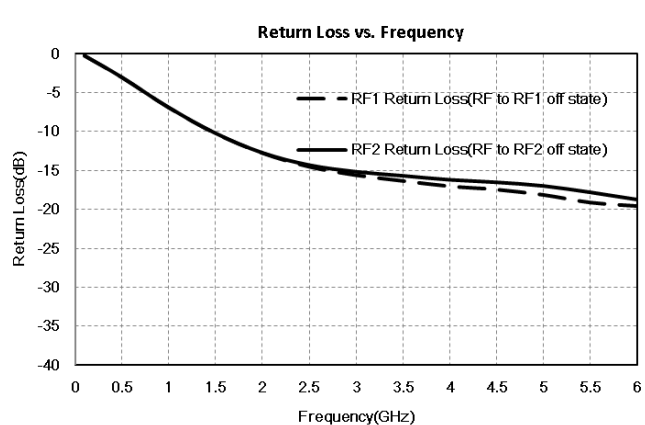
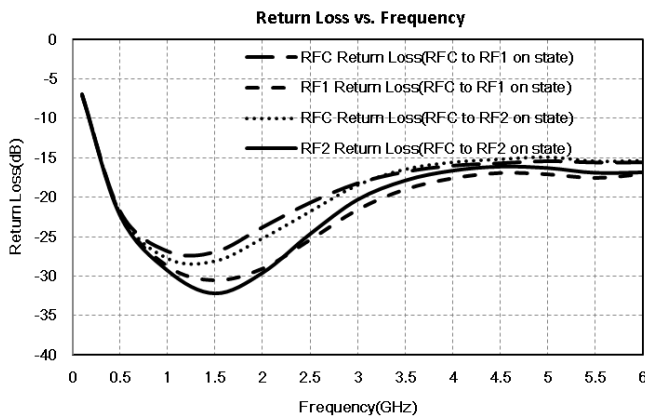
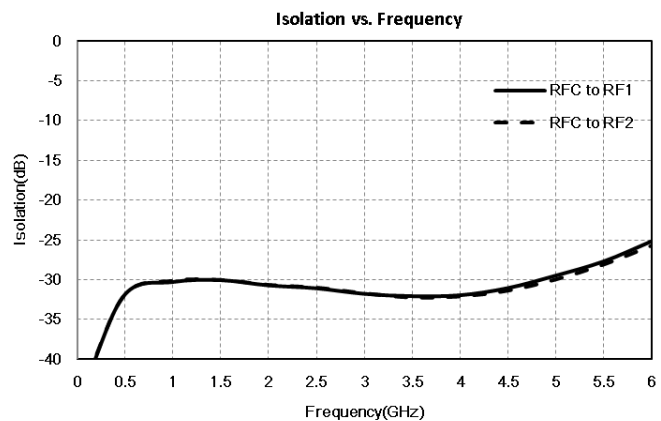
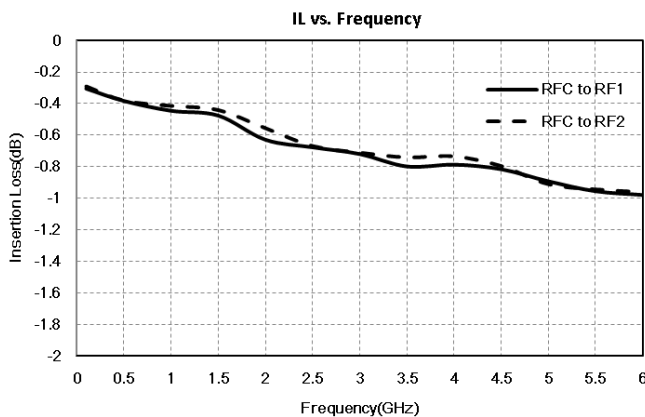


### Caution: ESD Sensitive

Appropriate precaution in handling, packaging And testing devices must be observed.

## Typical Characteristic Chart

(RFC to RF1, RF2 (0, 2.7 V), TOP = +25°C)



For more information, please contact us at:

Sales Dept.

Tel: +886-2-2698-1022

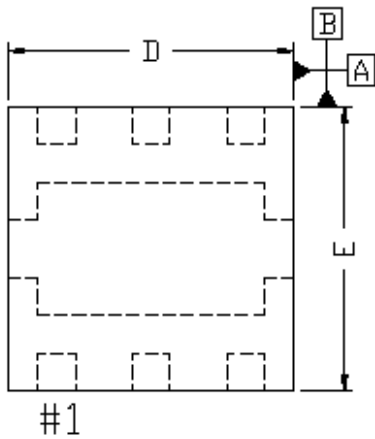
e-mail: sales@rfintc.com

© 2006 RFIC Technology Corporation All rights reserved.

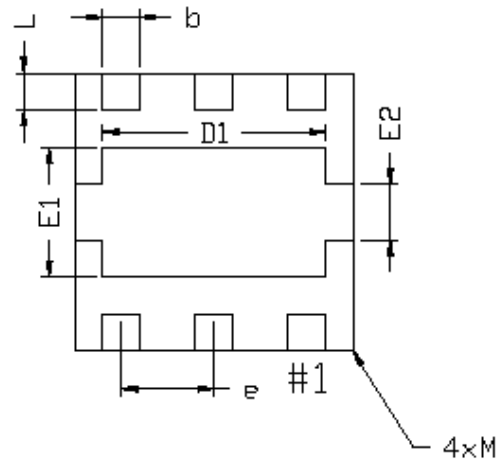
RFIC Technology Corp. reserved the right to make any changes to the specifications without notice.

## Package Outline

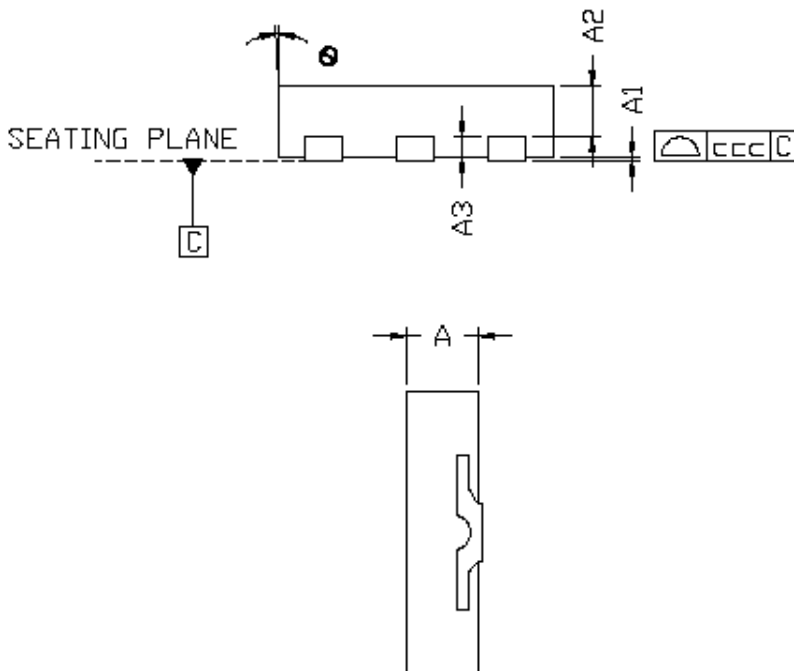
**Top View**



**Bottom View**



**Side View**

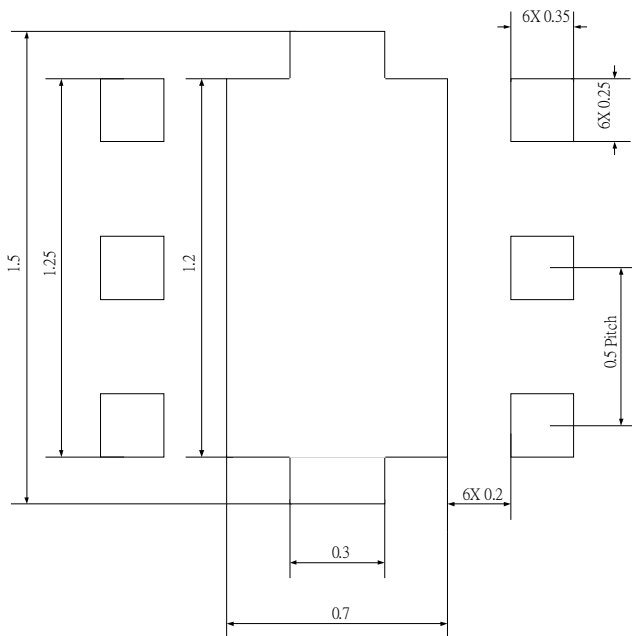


Symbol	Dimensions in Millimeters		
	MIN	NOM	MAX
A	0.35	---	0.40
A1	0.00	---	0.05
A2	0.223	---	0.273
A3	---	0.127REF	---
b	0.15	0.20	0.25
D	1.45	1.50	1.55
D1	---	1.2BSC	---
E	1.45	1.50	1.55
E1	---	0.70BSC	---
E2	---	0.30BSC	---
e	---	0.50BSC	---
L	0.15	0.20	0.25
⌀	-12	---	0
ccc	---	0.08	---
M	---	---	0.05
Burr	0.00	0.03	0.06

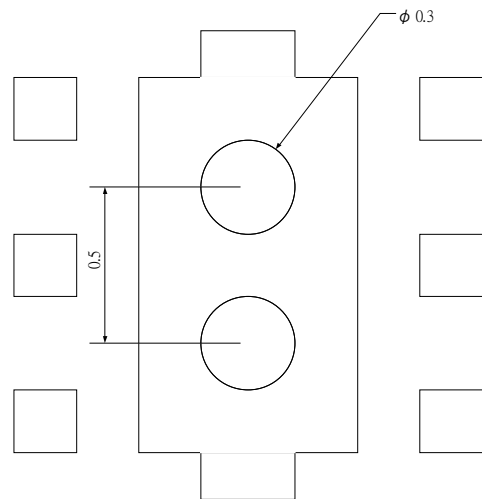
SW470A

## Suggested PCB Layout

### I/O Pin, Central PAD Layout

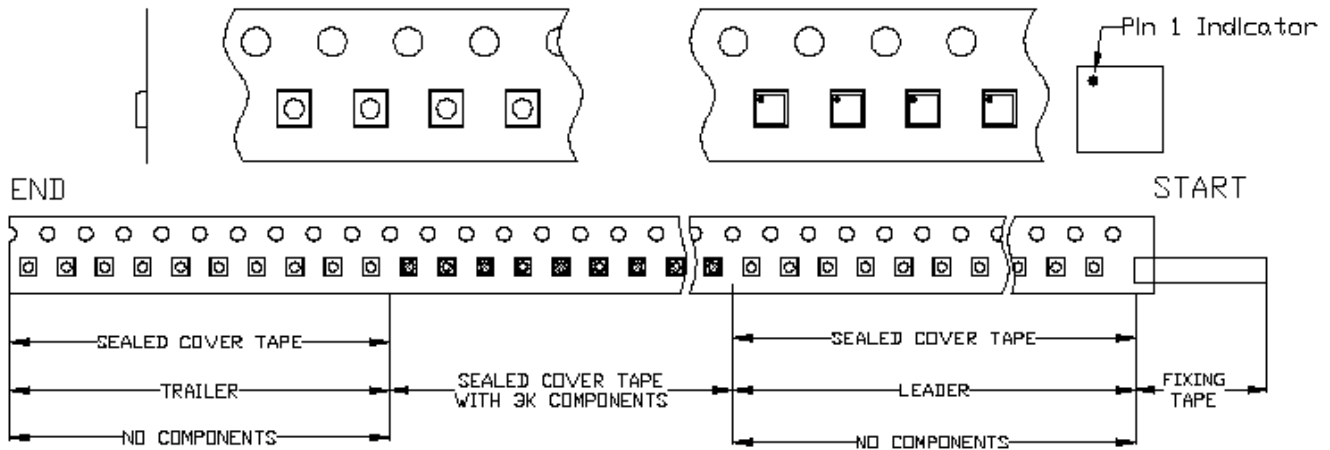


### GND Via Layout



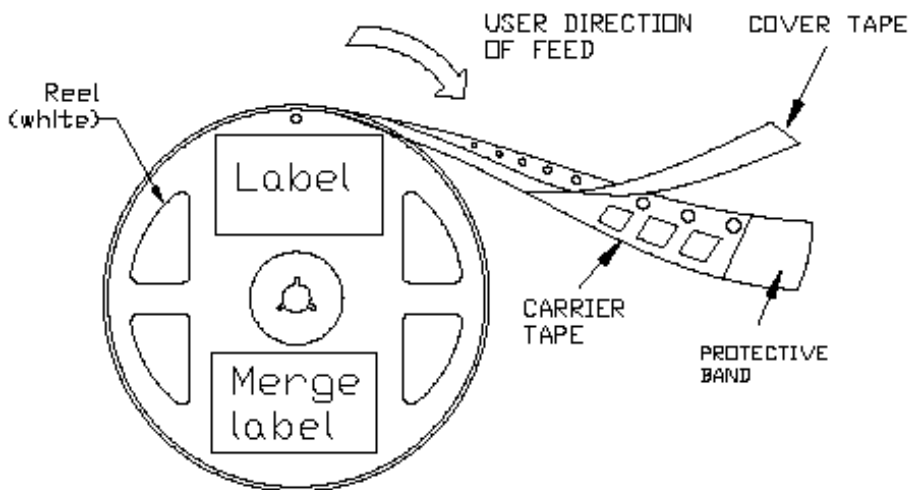
Unit : mm

## Packing



ITEM		SPECIFICATION (mm)(minimum)
LEADER	COVER TAPE WITH EMPTY CAVITIES	840(210格)
TRAILER	COVER TAPE WITH EMPTY CAVITIES	400(100格)
FIXING TAPE		100
PROTECTIVE BAND (t=1.0mm)		1200

PKG TYPE	Tape Width (mm)	Reel Size	Devices Per Reel
5X1X350N 15x15x0.55-0LJ	8	7"	3000



Part Number	Reel Size	Tape/Reel
SW470A	7 inch	3000 PCS

SW470A



## RFIC Preliminary 2017.05 Rev1.0

The product is designed and manufactured for consumer application only and is not intended for any application listed below which requires especially high reliability for the prevention of such defect which could lead to personal injury, death, physical or environmental damage.

- Aircraft equipment.
- Aerospace equipment.
- Undersea equipment.
- Medical equipment.
- Life-saving or life-sustaining applications
- Transportation equipment (vehicles, trains, ships, etc.).
- Traffic signal equipment.
- Disaster prevention / crime prevention equipment.
- Application of similar complexity and/ or reliability requirements to the applications listed in the above.