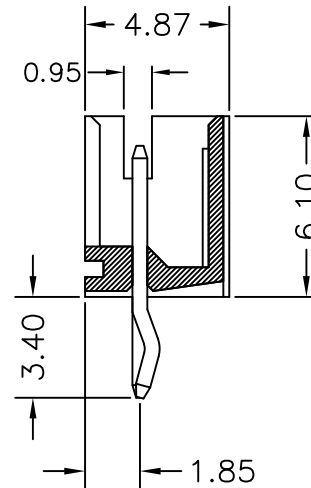


Recommended P.C.B Layout



MATERIAL

Insulator : NYLON 66+30% Glass fiber  
 Contact Pin : Brass  
 Contact Plated : Tin Plated

SPECIFICATION

Current Rate : 2 AMP  
 Dielectric voltage : 800V AC for one minute  
 Insulation Resistance : 1000mΩMin.  
 Contact Resistance : 20mΩMax  
 Operation Temperature : -55°C to + 105°C

721-8 1-08 T W 0 0  
 1 2 3 4 5

1. 8: Green Product
2. No. of contacts per row
3. G: Gold flash  
S: Selective  
T: Tin plated
4. B: Black insulator  
W: Nature Color Insulator  
R: Red Insulator  
E: Green Insulator
5. Pinrex internal code.



D		修改規格, 100Ω-->20Ω	2018/06/14		OLD PART NO.			TITLE		
C		REVISE HOUSING SIZE	2012/04/12		UNITS : mm	DRAWER 楊海琴		CHECK 李劍		JST 2.0mm WAFER STRAIGHT TYPE
B		ADD AIZE	2010/09/10		SCALE NONE	SIZE A4	SHEET 1 OF 1	REV. <b>D</b>	APP'D 李劍	NEW PART NO. 721-81-08TW00
A		RELEASE	2006/11/03							
REV.	DESCRIPTION		DATE	TOLERANCE					頻銳科技股份有限公司 PINREX TECHNOLOGY CORP.	