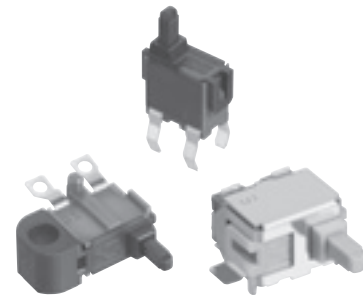


### ESE11 Detector Switches

Type: **ESE11**



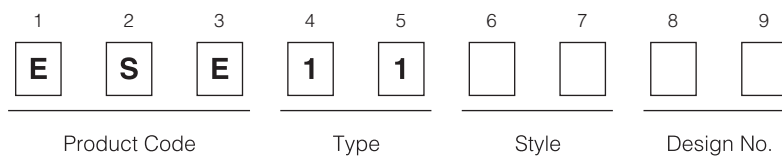
#### ■ Features

- Wide range of customizable features including operational directions
- Light operating force
- Wide available range for reflow soldering

#### ■ Recommended Applications

- Detection of media in portable electronic equipment

#### ■ Explanation of Part Numbers



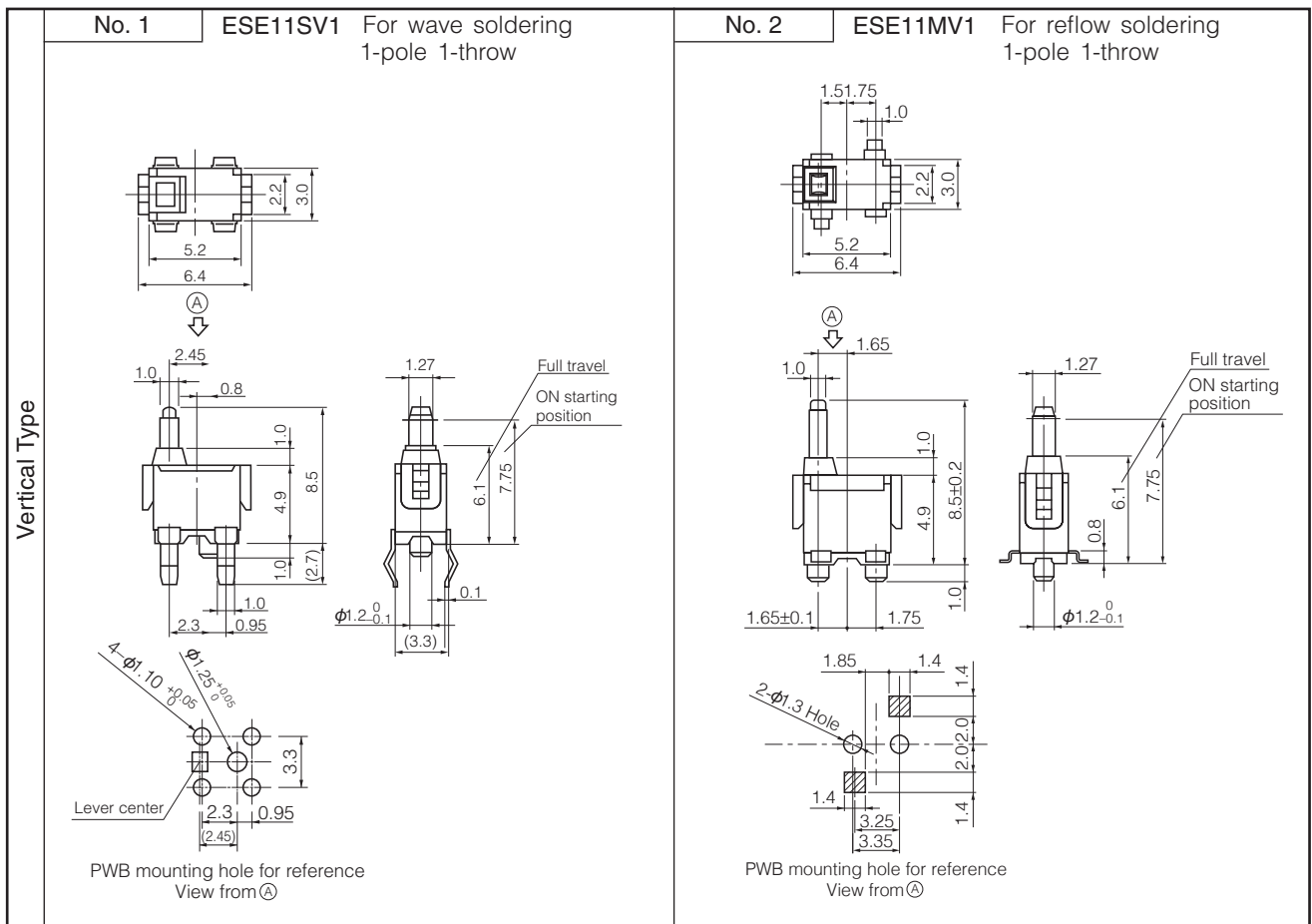
#### ■ Specifications

Rating	50 $\mu$ A 3 V DC to 10 mA 5 V DC (Resistive load)
Contact Resistance	500 m $\Omega$ max. (Initial)
Insulation Resistance	100 M $\Omega$ min. (at 100 V DC for 1 minute)
Dielectric Withstanding Voltage	100 V AC (50 Hz or 60 Hz) for 1 minute
Operating Force	350 mN max. (Full Travel)
Mounting Height	<ul style="list-style-type: none"> <li>· ESE11SV Type 4.9 mm</li> <li>· ESE11MV Type 4.9 mm</li> <li>· ESE11SH Type 5.25 mm</li> <li>· ESE11MH Type 4.25 mm</li> <li>· ESE11HS, SF Type 3.6 mm</li> </ul>
Poles and Throws	1-pole 1-throw
Full Travel (Pushing distance)	<ul style="list-style-type: none"> <li>· ESE11SV Type 6.1 mm (2.4 mm)</li> <li>· ESE11MV Type 6.1 mm (2.4 mm)</li> <li>· ESE11SH Type 3.0 mm (2.4 mm)</li> <li>· ESE11MH Type 1.7 mm (2.4 mm)</li> <li>· ESE11HS, SF Type 6.3 mm (2.4 mm)</li> </ul>
Operating Life	50,000 cycles min.
Temperature Range	-10 °C to +70 °C (Standard), -40 °C to +85 °C (Automotive)
Heat Resistance	+80 °C for 96 hours
Low Temperature Resistance	-25 °C for 96 hours
Humidity Resistance	+40 °C 90 % to 95 % RH for 96 hours

Design and specifications are each subject to change without notice. Ask factory for the current technical specifications before purchase and/or use. Should a safety concern arise regarding this product, please be sure to contact us immediately.

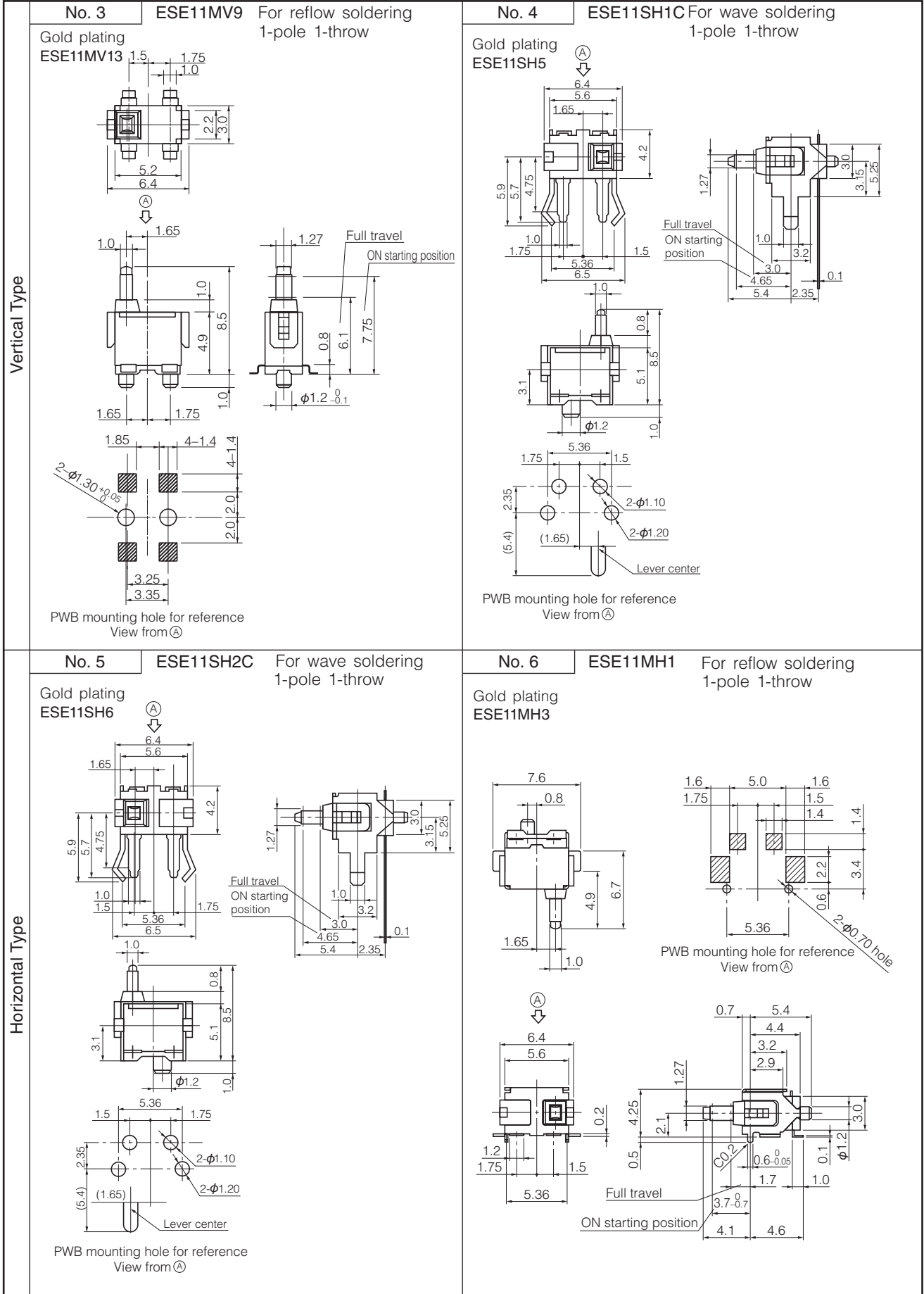
Minimum Quantity/Packing Unit	ESE11SV□ ESE11MV□ ESE11SH□ ESE11MH□ ESE11HS□ ESE11SF□	200 pcs. Polyethylene Bag (Bulk)
	ESE11MV□T (Excluding : ESE11MV2)	800 pcs. Embossed Taping (Reel Pack)
	ESE11MH□T	1,500 pcs. Embossed Taping (Reel Pack)
Quantity/ Carton	ESE11SV□ ESE11MV□ ESE11SH□ ESE11MH□ ESE11HS□ ESE11SF□	10,000 pcs. Polyethylene Bag (Bulk)
	ESE11MV□T (Excluding : ESE11MV2)	4,800 pcs. Embossed Taping (Reel Pack)
	ESE11MH□T	9,000 pcs. Embossed Taping (Reel Pack)

### ■ Dimensions in mm (not to scale)



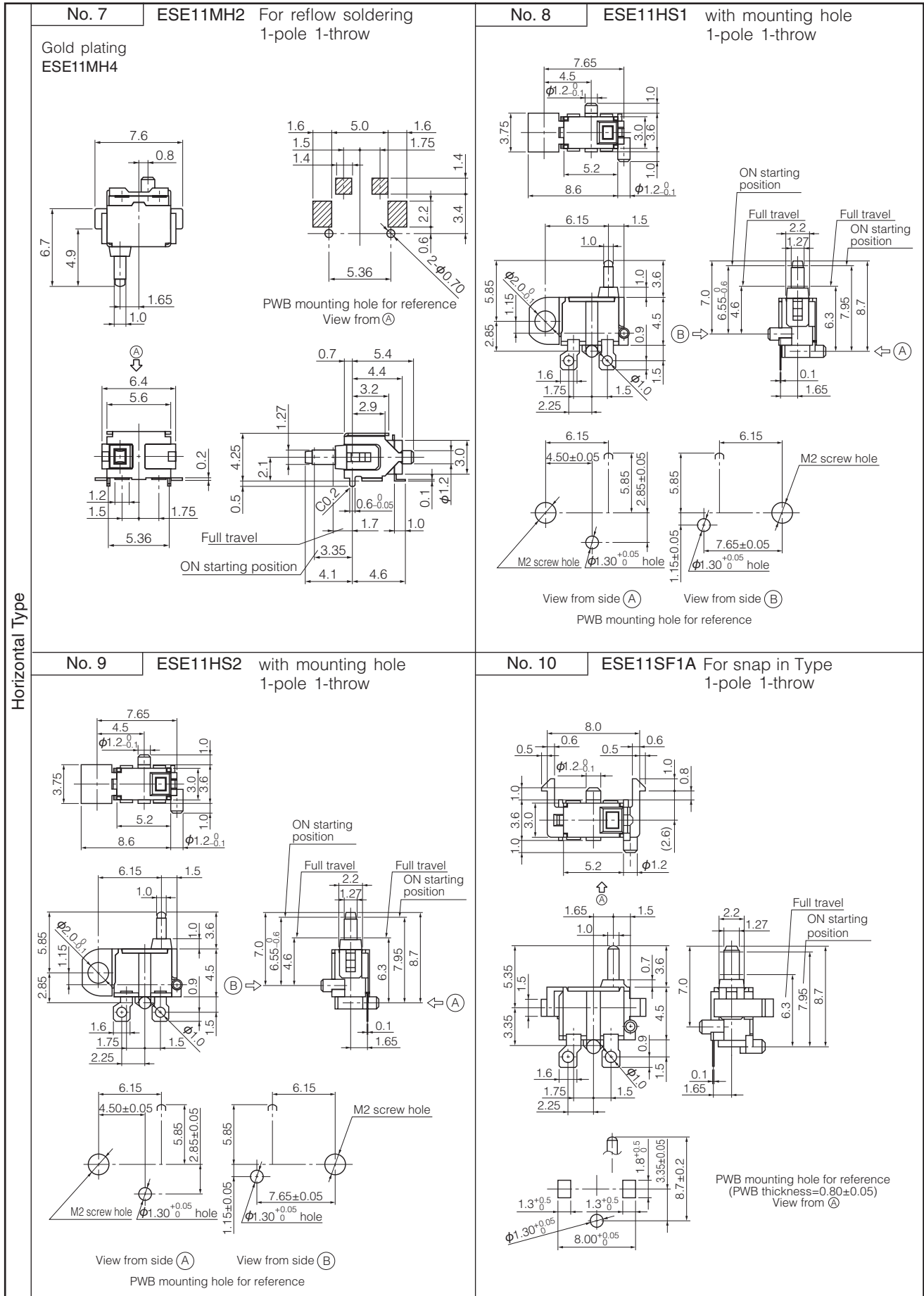
Design and specifications are each subject to change without notice. Ask factory for the current technical specifications before purchase and/or use.  
Should a safety concern arise regarding this product, please be sure to contact us immediately.

■ Dimensions in mm (not to scale)



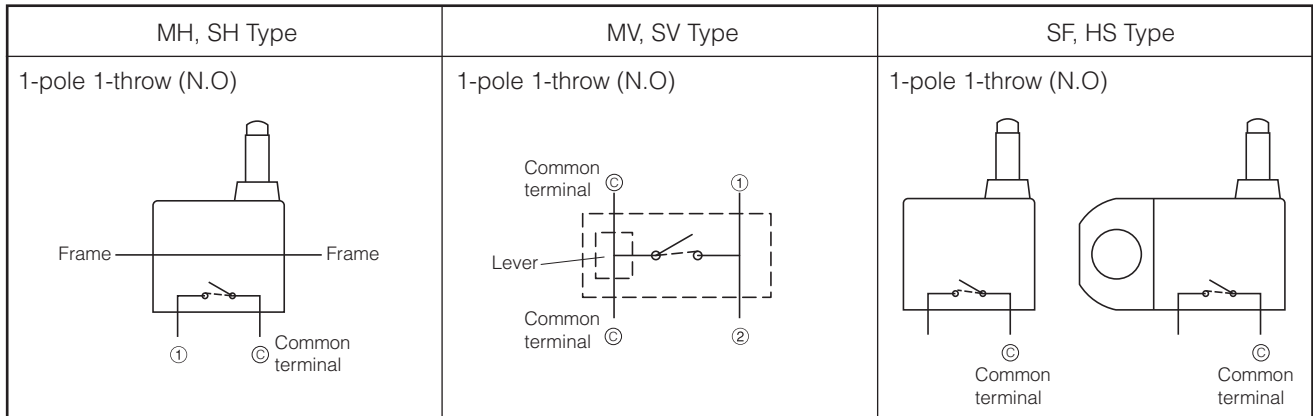
Design and specifications are each subject to change without notice. Ask factory for the current technical specifications before purchase and/or use. Should a safety concern arise regarding this product, please be sure to contact us immediately.

■ Dimensions in mm (not to scale)



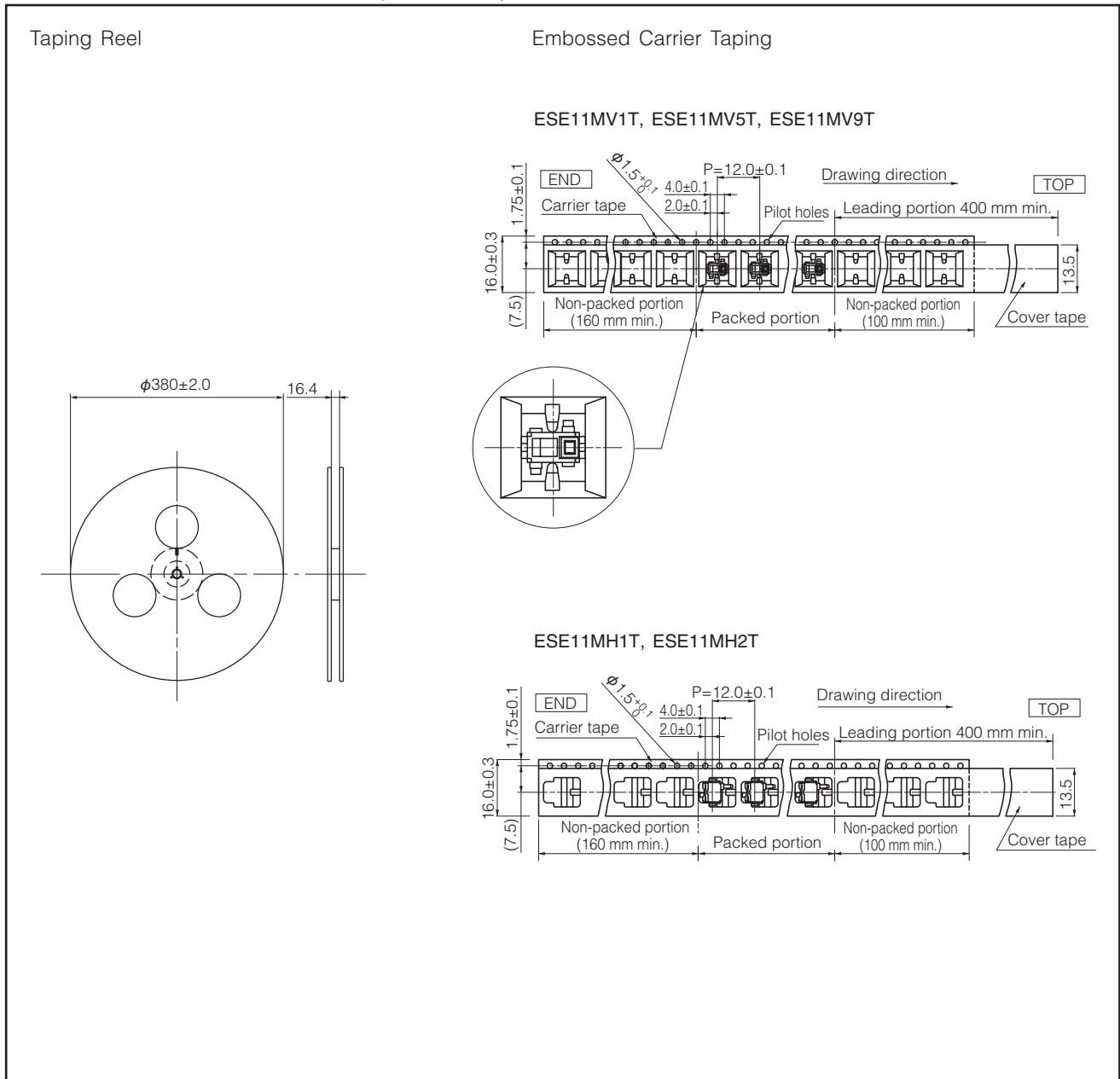
Design and specifications are each subject to change without notice. Ask factory for the current technical specifications before purchase and/or use.  
Should a safety concern arise regarding this product, please be sure to contact us immediately.

### ■ Circuit Diagram



### ■ Packaging Specifications

Standard Reel Dimensions in mm (not to scale)



Design and specifications are each subject to change without notice. Ask factory for the current technical specifications before purchase and/or use.  
Should a safety concern arise regarding this product, please be sure to contact us immediately.