

NX3215SA

For OA / AV / Mobile Communication / Automotives

■ Features

Compact, thin, and light weight tuning fork crystal unit.

- Excellent electric performance optimum for mobile communications,
OA (office automation) and AV (audiovisual) applications are exhibited. (For OA / AV / Mobile Communication)
- Excellent heat resistance and environmental characteristics. (For Automotives)
- Meet the requirements for re-flow profiling using lead-free solder.
- Conforms to AEC-Q200. (For Automotives)



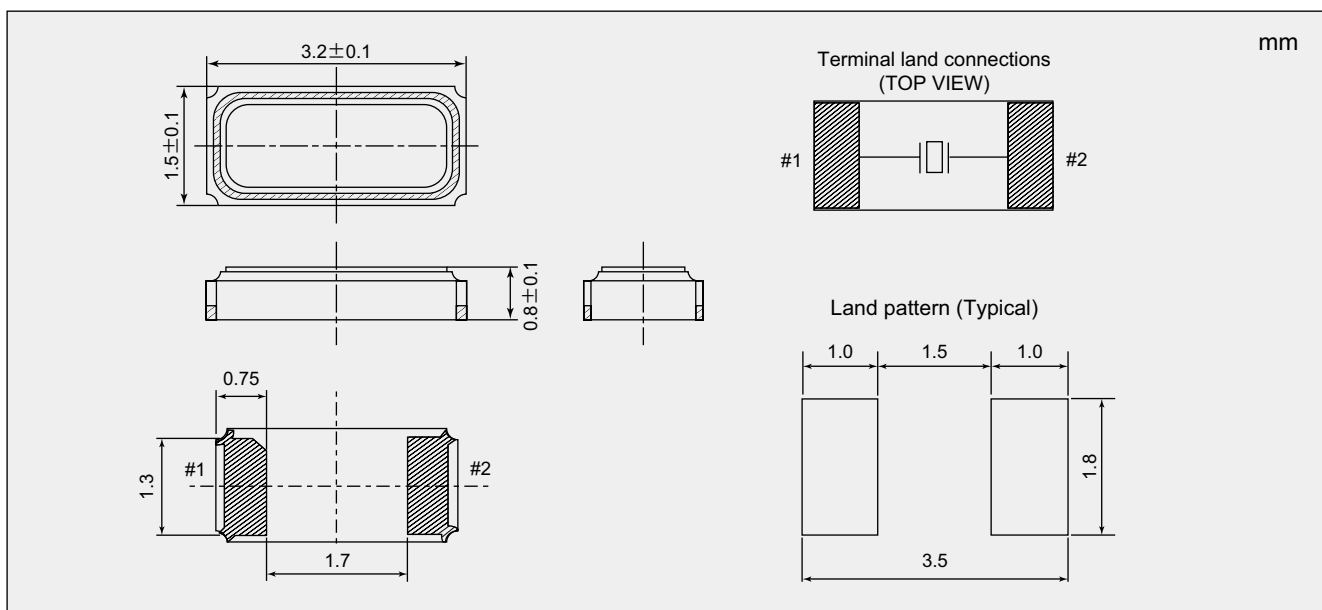
Pb Free

RoHS Compliant
Directive 2011/65/EU
Directive (EU) 2015/863

■ Specifications

Item	Model NX3215SA					
Main Application	For OA / AV / Mobile Communication			For Automotive		
Nominal Frequency	32.768kHz					
Operating Temperature Range	-40 to +85°C			-40 to +125°C		
Storage Temperature Range	-40 to +85°C			-40 to +125°C		
Level of Drive	0.1μW (Max. 0.5μW)					
Frequency Tolerance (25 ±3 °C)	±20 × 10 ⁻⁶					
Turning Point	+25°C ± 5°C					
Temperature Coefficient	-0.04 × 10 ⁻⁶ /°C ² Max.					
Load Capacitance	6.0pF	9.0pF	12.5pF	6.0pF	9.0pF	12.5pF
Equivalent Series Resistance	Max. 70kΩ			Max. 80kΩ		
Shunt Capacitance	Typ. 1.0pF / Max. 1.5pF					
Insulation Resistance	Min. 500MΩ					
Specifications Number	STD-MUA-14	STD-MUA-9	STD-MUA-8	STD-MUS-4	STD-MUS-3	STD-MUS-2

■ Dimensions



Please specify the model name, frequency, and specification number when you order products.
For further questions regarding specifications, please feel free to contact us.