

ITEM	P/N	Page
Common Mode Filter	ICMF112P350MFR	1

Data Sheet

- ITEM : COMMON MODE FILTER
- PART NO : ICMF112P350MFR
- CONDITION : 1. _____
2. _____
3. _____
4. _____

ITEM	P/N	Page
Common Mode Filter	ICMF112P350MFR	2

1. Generals

- This specification covers the engineering requirements for the ICMF112P350MFR (Common Mode Filter)

2. Features

- Effective for suppressing common mode noise and almost no effect for high speed differential data line
- Ultra low profile (1.27 x 1.0 x 0.6mm)
- Ceramic multilayer type SMD component
- Non-polarized product
- It is a product conforming to RoHS directive.

3. Applications

- LVDS lines in notebook computers
- USB2.0, UBS3.1 Gen 1, IEEE1394, DVI, HDMI lines in PDP, LCD TV, DVD Player, PC, Audio player, DSC
- MDDI, MIPI in mobile phone


4. Product specifications

4. 1 Part number code

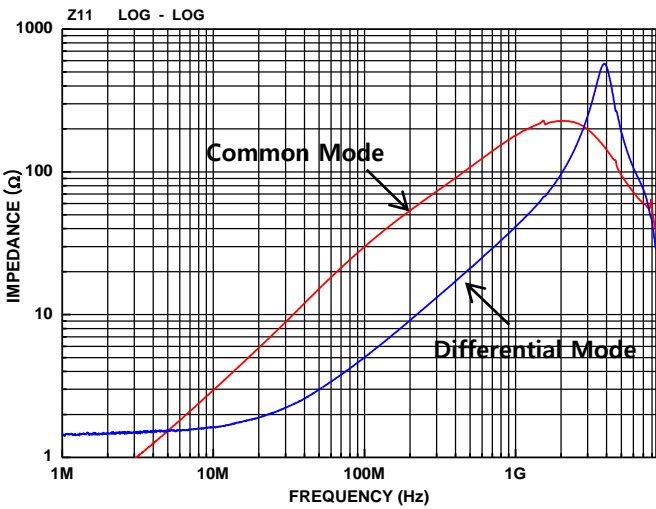
ICMF 11 2P 350 M F R
 ① ② ③ ④ ⑤ ⑥ ⑦

- ① Series name of ICT's Common Mode Filter
- ② Dimensions, 1.27mm (L) x 1.0mm (W)
- ③ The Number of lines, 2P = 2 lines
- ④ Common Mode Impedance (at 100MHz), 350 = 35Ω
- ⑤ Tolerance of common mode impedance, M= ±25%
- ⑥ Type of electrode plating: F= Lead Free
- ⑦ Packing Type, R= Reel

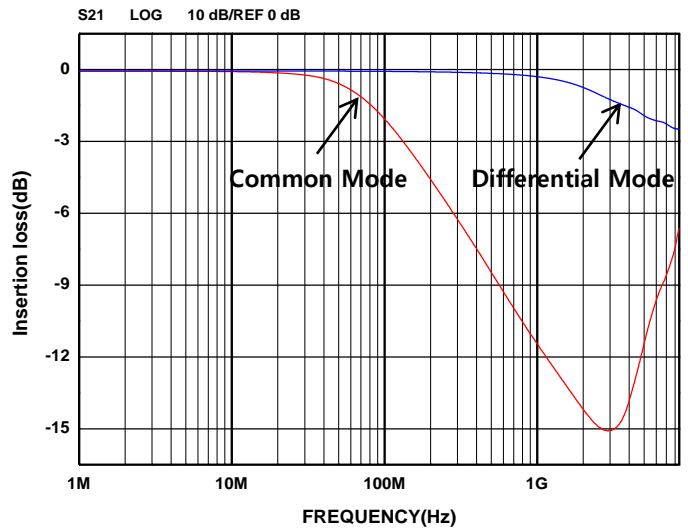
4. 2 Specification of electrical characteristics

Characteristics	Common Mode Impedance	Resistance	Insulation Resistance	Rated Current
symbol	 Z_{CM}	R_{DC}	IR_{CR}	I_R
Units	Ω	Ω	M Ω	mA
Test Condition	@100MHz	25°C±2°C	5V	25°C±2°C
Value	35(±25%)	Max 4.0	Min 10	Max 100

- Impedance Curves



- Transmission characteristics (S-parameter)



4. 3 Operating Temperature

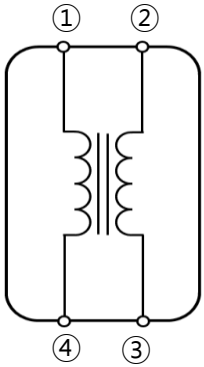
DESCRIPTION	REQUIREMENTS
Operating Temperature	-40°C ~ + 85°C (including self-temperature rise)

ITEM	P/N	Page
Common Mode Filter	ICMF112P350MFR	4

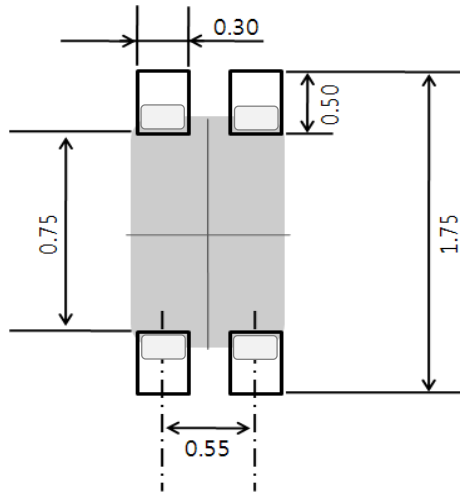
5. Equivalent Circuit & Recommended Foot print & Stencil Mask

Unit : mm

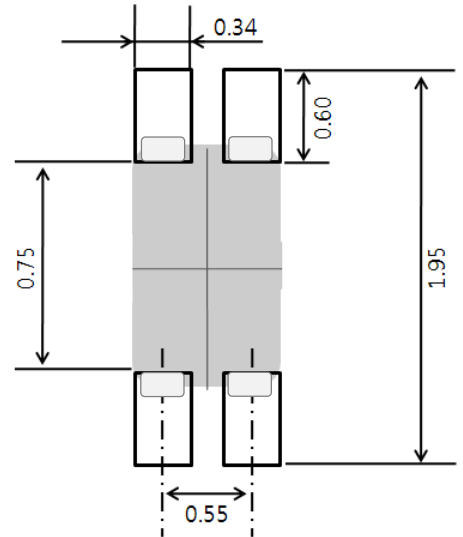
Stencil Mask T : 0.10mm



[Equivalent circuit]



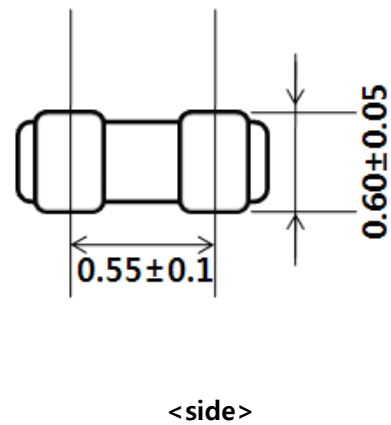
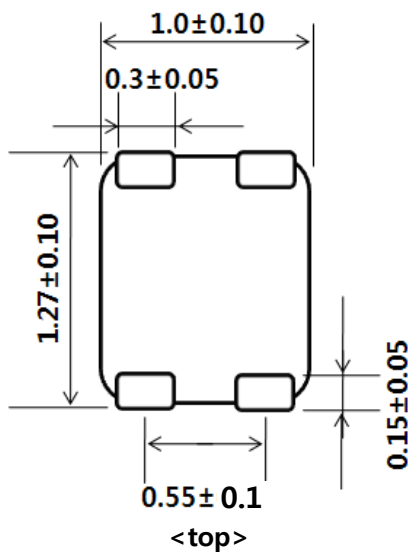
[Foot print]



[Stencil Mask]

6. Appearance and Dimension

Unit : mm



7. Test method of Electrical property

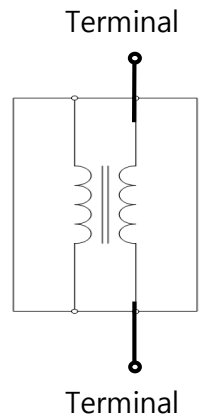
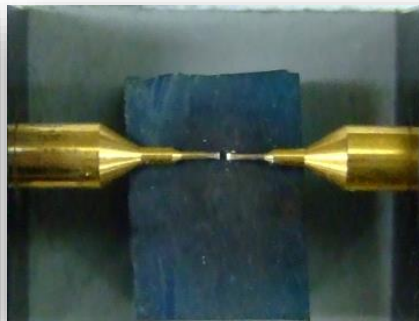
- PIN INDEX



ITEM	DESCRIPTION	SOURCE	EQUIPMENT
Rdc	Pin 1 to 4, 2 to 3	10mA DC Source	Source Meter
CM Impedance	Pin 1-2(Short) to Pin 3-4(Short)		LCR Meter (3GHz)

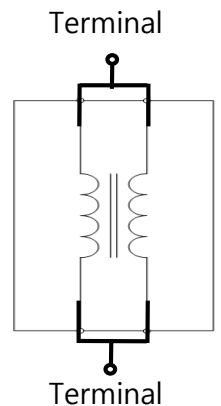
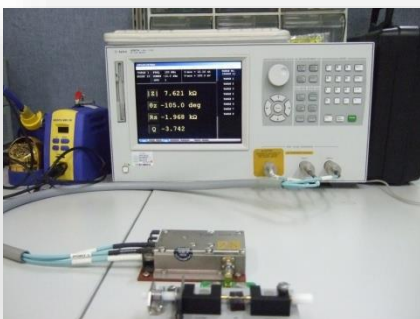
7. 1 Rdc (Model: KEITHLEY 2400)

- Off power and On power.
- Press button ' Ω ' of MEAS.
- Measure Rdc value using test fixture.



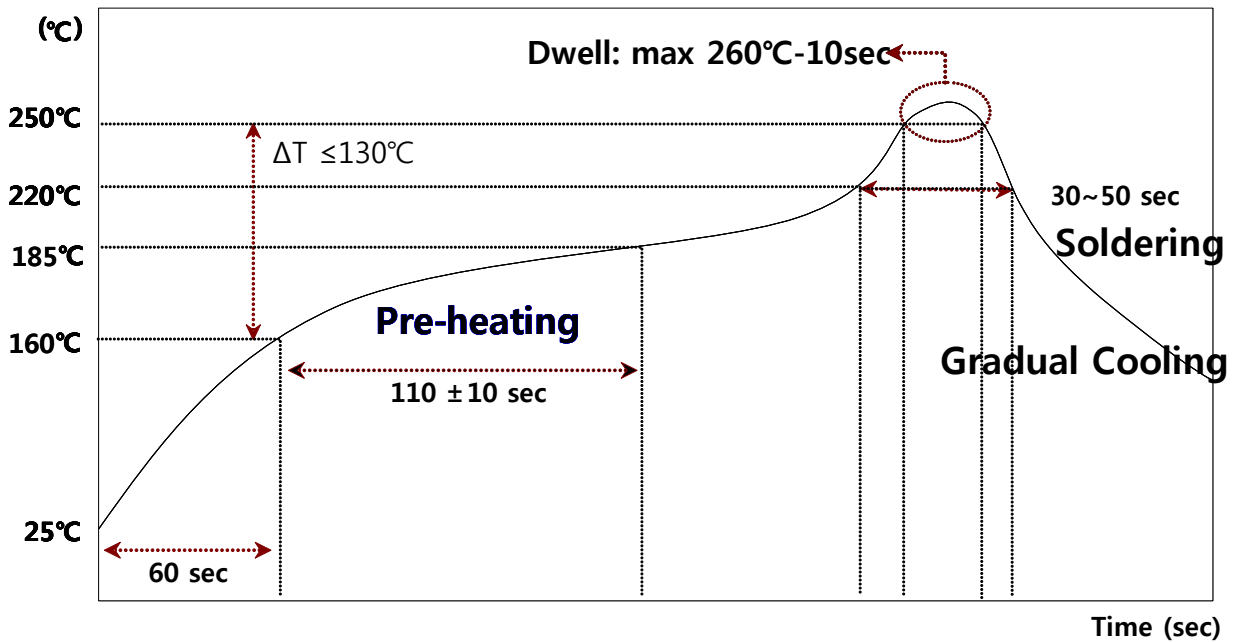
7. 2 Common Mode Impedance (Model: Agilent 4287A)

- Calibrate equipment
- Measure CM Impedance (at 100MHz) using test fixture.



8. Reflow condition

8. 1 Recommended soldering profile (Lead-free condition)



8. 2 Recommended Lead-free solder paste

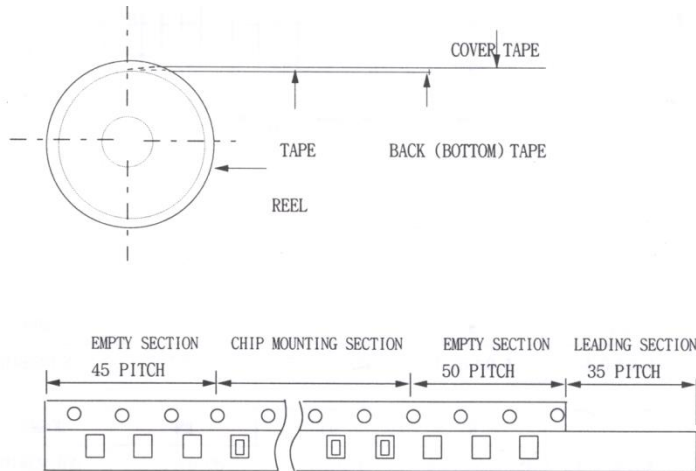
- Supplier : Tamura Donghwa
- Main composition : Sn-Ag-Cu
- Ratio of composition : 96.5%-3.0%-0.5%

8. 3 Recommended hand solder

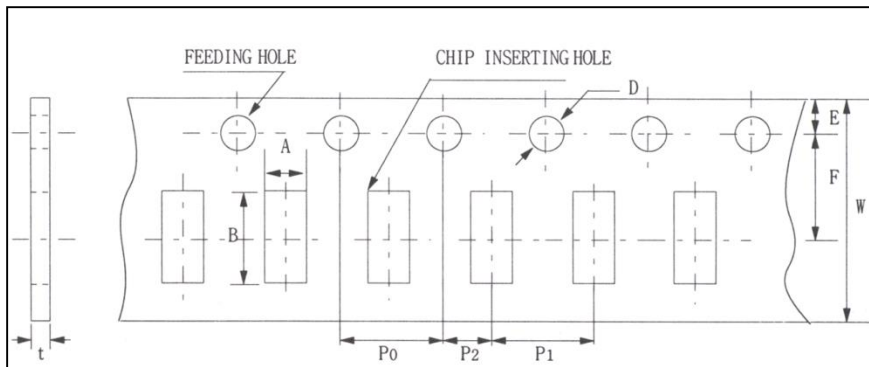
- Max Temperature: Max 380 °C(Max 5sec)

9. Packing specification

9.1 Taping figure



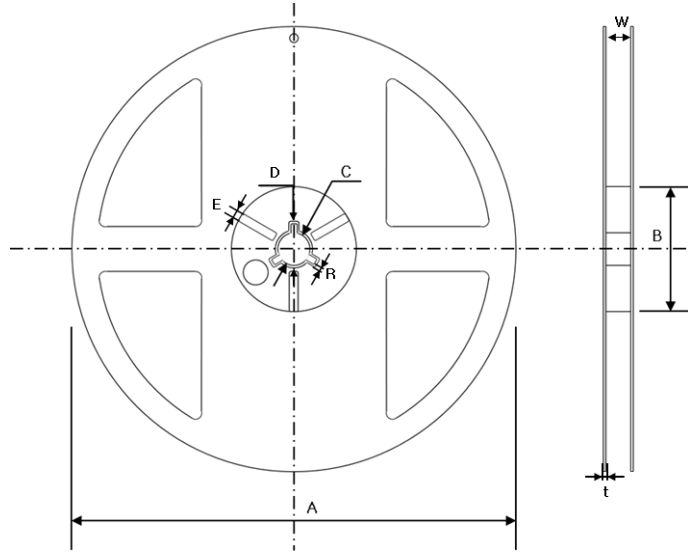
9.2 Carrier tape dimensions



Unit : mm

SYMBOL	A	B	W	F	E	P ₁	P ₂	P ₀	D	t	
DIMENSION	11	1.15 ±0.05	1.5 ±0.05	8.0 +0.30 -0.10	3.5 ±0.05	1.75 ±0.05	4.0 ±0.10	2.0 ±0.05	4.0 ±0.10	1.55 ±0.03	0.75 ±0.05

9. 3 Reel dimensions

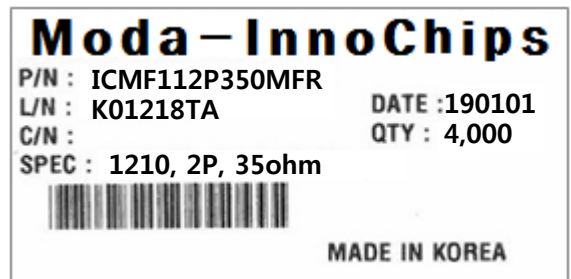
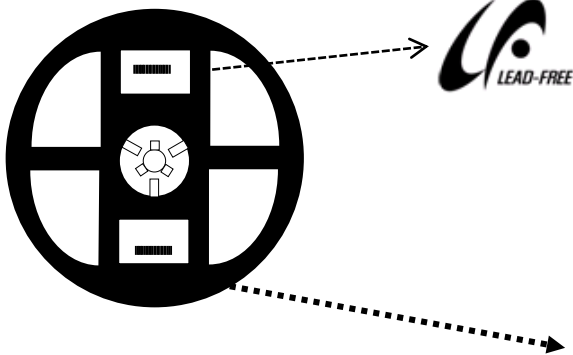


- (1) Reel Materials: Polystyrene
- (2) Label
- (3) Taping
 - Standard Packing Quantity per Reel ($\phi 178$)
 - Paper Tape: 4,000pcs

Unit : mm

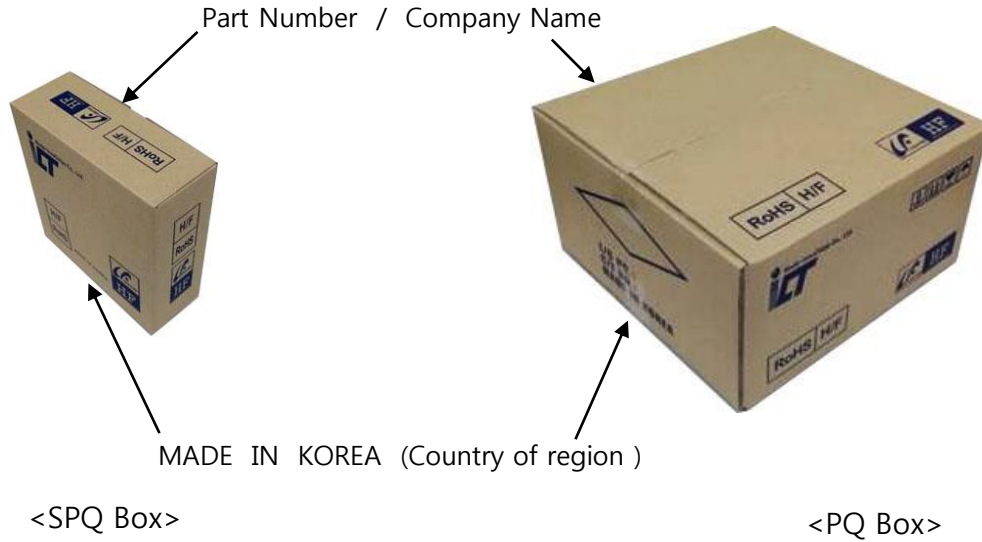
CODE	A	B	C	D	E	W	t	R
DIMENSION	$\phi 178 \pm 2$	Min. $\phi 50$	$\phi 13 \pm 0.5$	$\phi 20 \pm 0.8$	3.0 ± 0.5	10 ± 1.5	1.3 ± 0.2	1.0 ± 0.2

9. 4 Label code



- P/N : Part Number
- L/N : Lot Number
- C/N : Customer Number
- SPEC : Size, Line numbers & CM Impedance
- DATE : Date code
- Q'TY : Quantity

9. 5 Reel packing



- (1) Product box material : Card board
- (2) 5 Reels in each SPQ Box
- (3) PQ Box contains 10 SPQ Boxes (50 Reels)

Packing box + Product weight

Size			S-box + 5reel		M-box + 5S-box		L-box + 10S-box	
Product	L x W x H(mm)		185 x 70 x 185		370 x 190 x 200		380 x 370 x 200	
	Size	weight(g)	Total(g)	Chip(g)	Total(g)	Chip(g)	Total(g)	Chip(g)
		/1 unit						
Common Mode Filter	0806	0.00124	317	62	1954	310	4596	620
	1210	0.00262	307	52	1906	262	4500	524
	2012	0.0075	405	150	2394	750	5476	1500
Common Mode ESD Filter	0806	0.00128	319	64	1964	320	4616	640
	1210	0.0048	351	96	2124	480	4936	960
	1608	0.00237	701	47	3515	237	7017	474
	2012	0.00756	406	151	2400	756	5488	1512