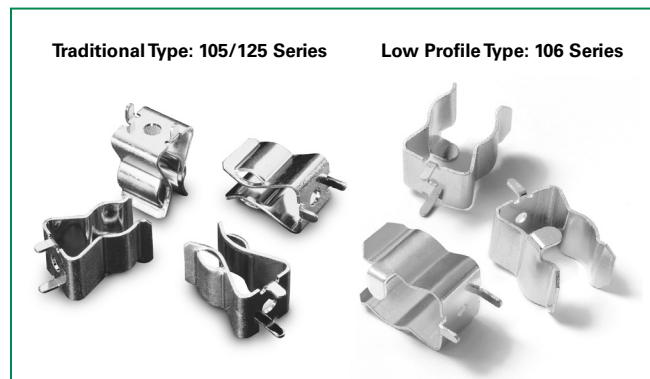
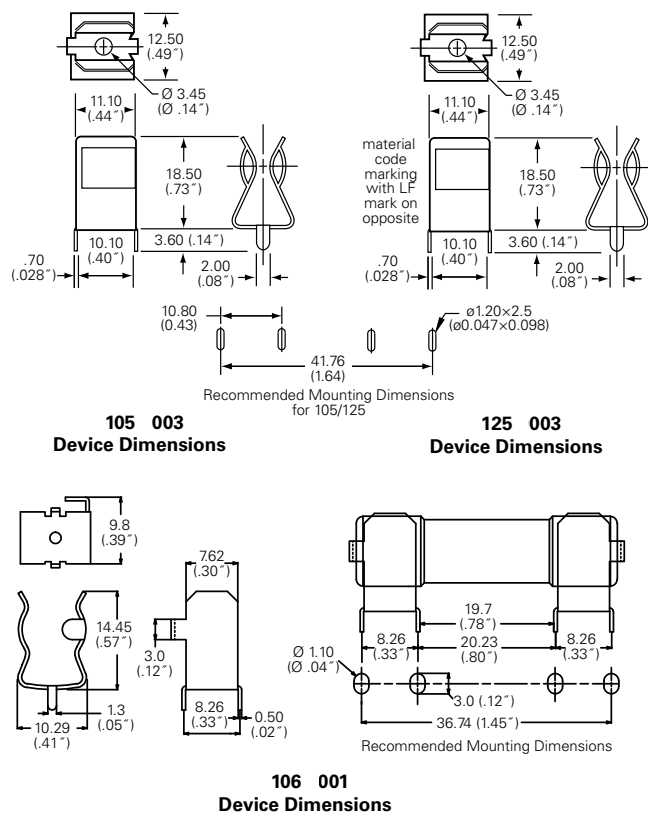


105/106/125 Series Circuit Board Mount Clips for Midget (13/32") Diameter Fuses



Product Dimensions



Product Characteristics

	105 Series	125 Series	106 Series
Compatible Fuse Size	13/32" Diameter Fuses (Midget Type Fuse)		
Current Levels	15A max	30A max	15A max

Agency Approval

Agency	Agency File Number		
	105 Series	125 Series	106 Series
	E14721		N/A

Ordering Information

Ordering No.	Catalog No.	Clip Material*	Plating	Style	Packaging
01050003H	105 003	Spring Brass	Tin-plated	Ear	Bulk/100pcs
01250003H	125 003	Beryllium Copper	Tin-plated	Ear	Bulk/100pcs
01060001Z	106 001	Phosphor Bronze	Tin-plated	Ear	Bulk/100pcs

"H" = std. package 100 pcs per pack
 "Z" = for bulk package

Additional Information



Datasheet 105 Series



Resources 105 Series



Samples 105 Series



Datasheet 106 Series



Resources 125 Series



Samples 125 Series



Datasheet 125 Series



Resources 125 Series



Samples 125 Series

Disclaimer Notice - Information furnished is believed to be accurate and reliable. However, users should independently evaluate the suitability of and test each product selected for their own applications. Littelfuse products are not designed for, and may not be used in, all applications. Read complete Disclaimer Notice at www.littelfuse.com/disclaimer-electronics.