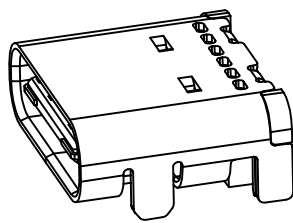
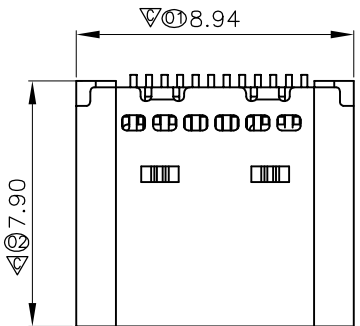


AUTOCAD GENERATED DRAWING. DON'T CHANGE BY HAND.



REV.	ECN NO.	DESCRIPTION	DRAW	DATE
A0		NEW DRAWING	qiubin	2017.01.06

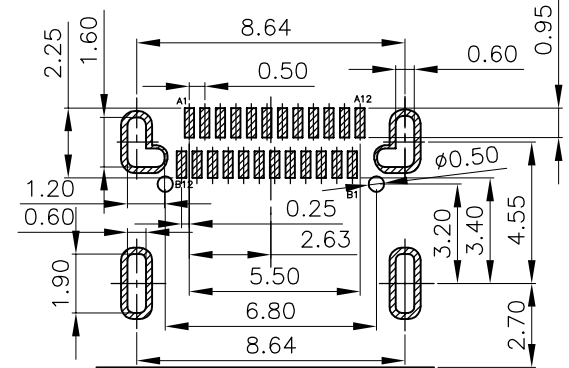
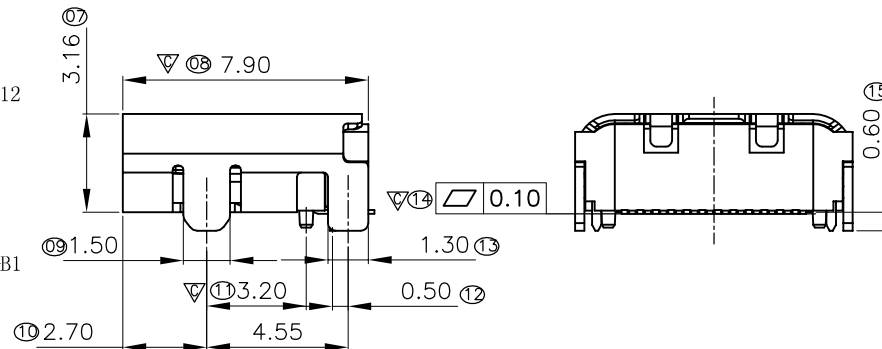
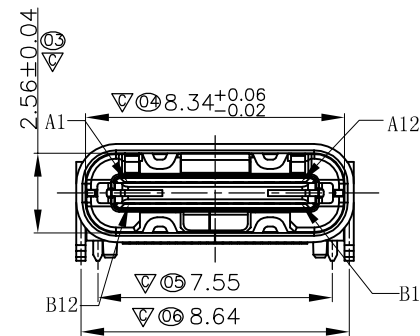


NOTES:
SPECIFICATION:

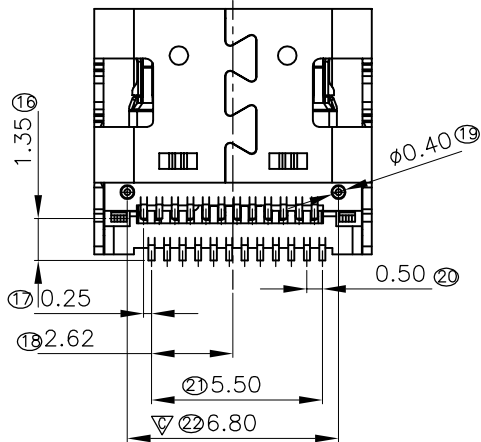
- CURRENT RATING: 3A MAX
- VOLTAGE: 100 VAC
- OPERATING TEMPERATURE RANGE: -30 °C ~ 85 °C
STORAGE TEMPERATURE RANGE: -55°C ~ 105 °C
- CONTACT RESISTANCE: 40 MILLIONHM MAX
- INSULATION RESISTANCE: 100 MEGOHMS MIN.
- INSERTION FORCE : 5N~20N
- UNMATING FORCE: 8N~20N
- DURABILITY: 10,000 CYCLES
- DRAWINGS MARKED "⊗" FOR FAI DIMENSION.
- DRAWINGS MARKED "▽" FOR QIP DIMENSION.
- DRAWINGS MARKED "⊕" FOR CPK DIMENSION.

TABLE:

PART NO.	Specification
MNG033S230R	Au 30u"
MNG033S220R	Au 1u"



CONNECTOR FRONT EDGE
RECOMMENDED P.C.B. LAYOUT
TOLERANCE UNSPECIFIED ±0.05mm



A1	GND	B12	GND
A2	SSTXP1	B11	SSRXP1
A3	SSTXN1	B10	SSRXN1
A4	VBUS	B9	VBUS
A5	CC1	B8	SBU2
A6	DP1	B7	DN2
A7	DN1	B6	DP2
A8	SBU1	B5	CC2
A9	VBUS	B4	VBUS
A10	SSRXN2	B3	SSTXN2
A11	SSRXP2	B2	SSTXP2
A12	GND	B1	GND
PIN	SIGNAL NAME	PIN	SIGNAL NAME

NO.	DESCRIPTION	MATERIAL	REMARKS	QTY
5	SHELL	STAINLESS STEEL	Ni 50u"Min	1PCS
4	SPRING	STAINLESS STEEL	No Plating	1PCS
3	SHIELDING PLATE	STAINLESS STEEL	Ni 50u"Min	1PCS
2	CONTACT	COPPER ALLOY	Optional(SEE TABLE)	24PCS
1	HOUSING	HIGH TEMPERATURE PLASTIC	BLACK	1PCS

UNITS mm	SCALE 1:1	REV. A0	SHEET 1 OF 1	深圳市正耀科技有限公司 SHENZHEN LITCONN TECHNOLOGY CO., LTD	
		DATE 2017.01.06	TITLE USB C TYPE 板上双排贴片母座(带定位柱)		
GENERAL TOLERANCE		DR. QIUBIN	MAT'L SEE TABLE		FINISH SEE TABLE
0. ±0.30 0.0 ±0.25 0.00 ±0.20 0.° ±5° 0.0° ±4°		CHK.	DWG.NO. DWG-USB CF-027	A	PART NO. SEE TABLE
APPD.					SIZE A4