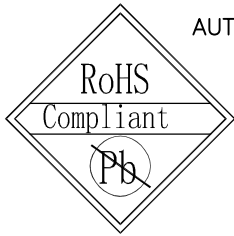
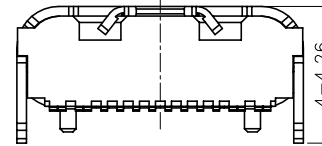
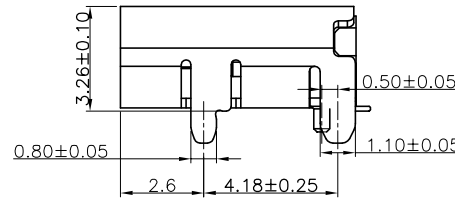
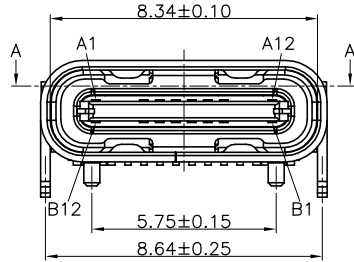
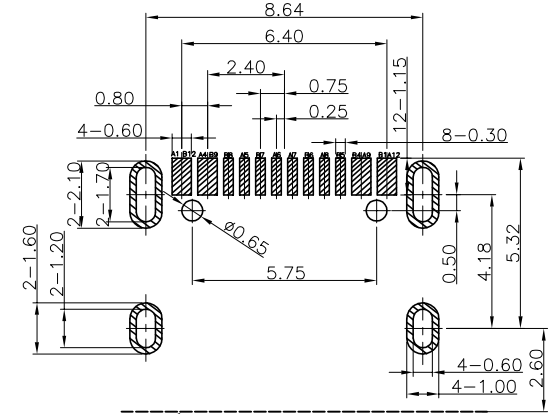
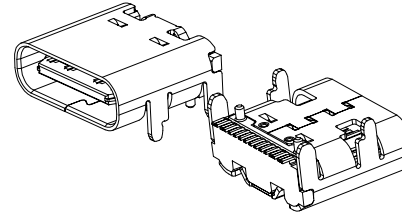
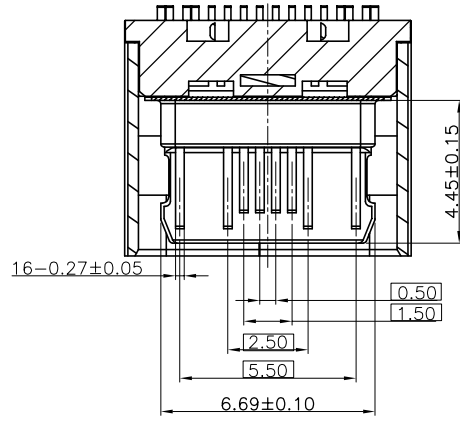
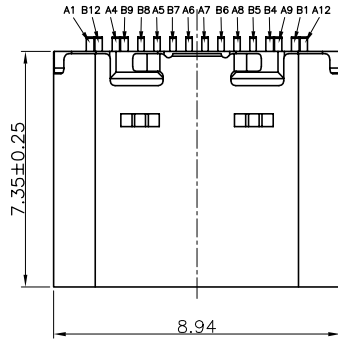


AUTOCAD GENERATED DRAWING. DON'T CHANGE BY HAND.

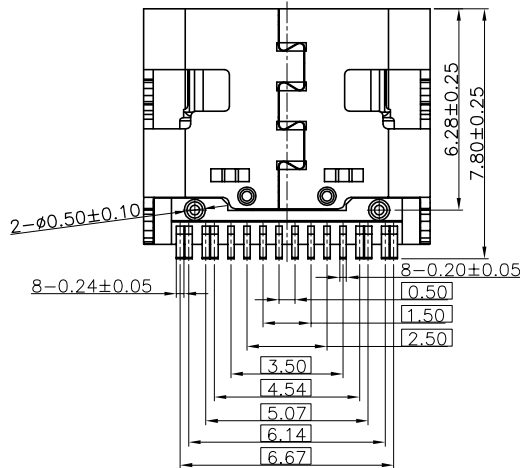


REV.	ECN NO.	DESCRIPTION	DRAW	DATE
A		NEW	Henry_Huang	2019.08.27

- NOTES:
SPECIFICATION:
- CURRENT RATING: 5A MAX
 - VOLTAGE: 100 VAC
 - TEMPERATURE RANGE: -25 °C ~ 85 °C
 - CONTACT RESISTANCE: 40 MILLIONHM MAX
 - INSULATION RESISTANCE: 100 MEGOHMS MIN.
 - INSERTION FORCE : 5N~20N
 - UNMATING FORCE: 8N~20N
 - DURABILITY: 10,000 CYCLES



CONNECTOR FRONT EDGE
RECOMMENDED P.C.B. LAYOUT
TOLERANCE UNSPECIFIED ±0.05mm



A1	GND	B12	GND
A4	VBUS	B9	VBUS
A5	CC1	B8	SBU2
A6	DP1	B7	DN2
A7	DN1	B6	DP2
A8	SBU1	B5	CC2
A9	VBUS	B4	VBUS
A12	GND	B1	GND
PIN	SIGNAL NAME	PIN	SIGNAL NAME

NO.	DESCRIPTION	FINISH/COLOR	MATERIAL	QTY
6	接地片	Ni Overall 50u"min (4#)	SUS316L-1/2H T=0.12mm	1PCS
5	中夹片	SUS 301R-H Ni:50u" Min Matte Tin: 100u"Min 环保 盐雾24H	SUS301R-H T=0.15mm	1PCS
4	SHELL	Ni:50u"min (可焊镍) 环保 盐雾24H	SUS304 1/2H T=0.30mm	1PCS
3	CONTACT	Ni:50~80u" Tin100~180u" Au:1u"Min环保 盐雾24H ORANGE	C7025 T=0.15mm	1SET
2	CONTACT	Ni:50~80u" Tin100~180u" Au:1u"Min环保 盐雾24H ORANGE	C7025 T=0.15mm	1SET
1	HOUSING	HIGH TEMPERATURE PLASTIC	LCP E130i 30%GF	1PCS

UNITS mm	SCALE 1:1	REV. A	SHEET 1 OF 1	深圳市正耀科技有限公司 LITKCONN TECHNOLOGY CO., LTD.		
DATE 2019.08.27						TITLE USB C TYPE 母座单排16pin
GENERAL TOLERANCE 0. ±0.30 0.0 ±0.25 0.00 ±0.15 0.° ±3° 0.0° ±2°				DR.	SEE TABLE	
				CHK.	FINISH SEE TABLE	
				APPD.	DWG.NO. DWG-TYPE_C-0066	SIZE A4
					PART NO. CF003.11L3.3H1	