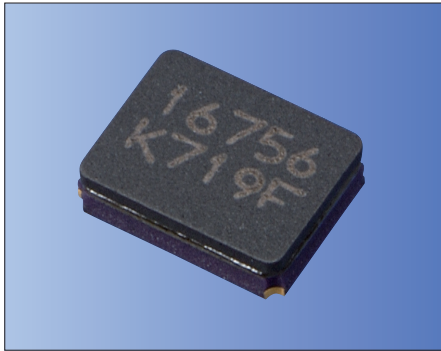




3.2×2.5mm for Consumer Products



RoHS Compliant

Features

- Crystal unit for Consumer Products
- Small and low profile 0.9mm max. (3.2×2.5×0.8mm)
- Ceramic package
- Reflow compatible

Applications

- Digital Electronics
- Consumer Products

How to Order

CX3225GB 27000 DO H E Q CC
① ② ③ ④ ⑤ ⑥ ⑦

- ① Series
- ② Frequency
- ③ Load Capacitance
- ④ Frequency Tolerance
- ⑤ Operating Temp. Range
- ⑥ Frequency Temp. Stability
- ⑦ Individual Specification (STD Specification is "CC")

Table 1: Load Capacitance (CL) = 8 pF, Frequency Tolerance = ±20×10⁻⁶

Table 2: Operating Temp. Range (EQ) = -10 to +70°C, Frequency Temp. Stability = ±30×10⁻⁶

Packaging (Tape & Reel 3000 pcs./ reel)

Specifications

| Item | Symbol | Specification | Units | Remarks |
|---------------------------------|------------------|----------------|-------------------|--|
| Frequency Range | f _{nom} | 12000 to 54000 | kHz | |
| Overtone Order | OT | Fundamental | — | |
| Load Capacitance | CL | 8 | pF | Please contact us for other CL requirements. |
| Frequency Tolerance | f _{tol} | ±20 | ×10 ⁻⁶ | 25°C±3°C |
| Motional Series Resistance | R1 | Table 1 | ohm | |
| Drive Level | DL | Table 2 | μW | |
| Operating Temp. Range | T _{use} | -10 to +70 | °C | |
| Storage Temp. Range | T _{stg} | -40 to +85 | °C | |
| Frequency Temp. Characteristics | f _{tem} | ±30 | ×10 ⁻⁶ | Freq. deviation from the value at 25°C |

Please contact us for other specifications.

Table 1 Motional Series Resistance

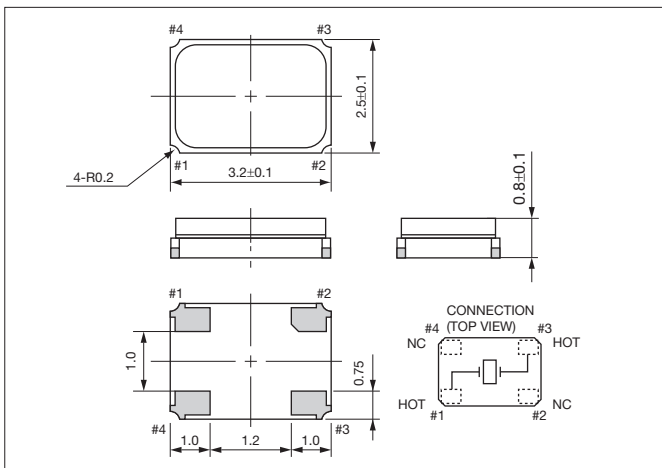
| Frequency Range | Motional Series Resistance |
|----------------------------------|----------------------------|
| 12000≤f _{nom} <13000kHz | 150Ω max. |
| 13000≤f _{nom} <14000kHz | 100Ω max. |
| 14000≤f _{nom} <20000kHz | 80Ω max. |
| 20000≤f _{nom} <27000kHz | 60Ω max. |
| 27000≤f _{nom} ≤54000kHz | 50Ω max. |

Table 2 Level of Drive

| Frequency Range | Level of Drive |
|----------------------------------|-------------------|
| 12000≤f _{nom} ≤54000kHz | 10μW (100μW max.) |

Dimensions

(Unit: mm)



Recommended Land Pattern

(Unit: mm)

