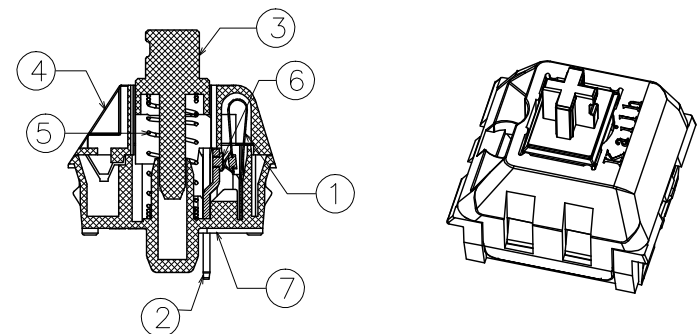
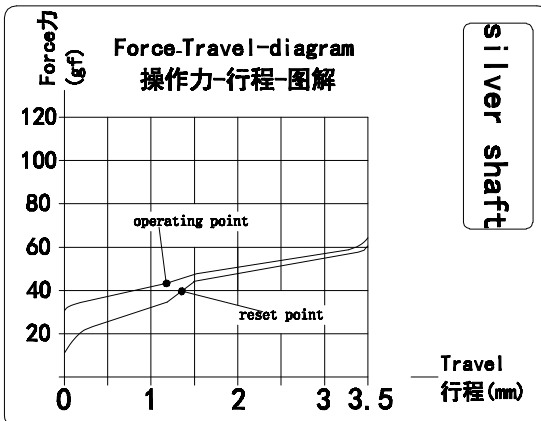
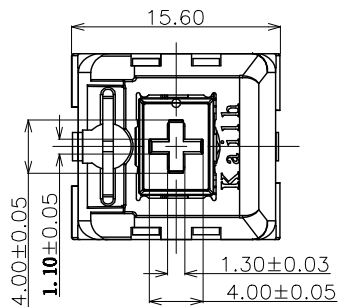


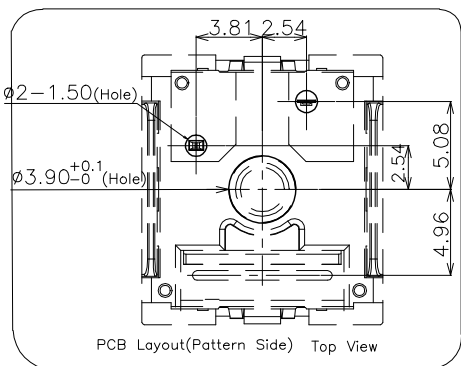
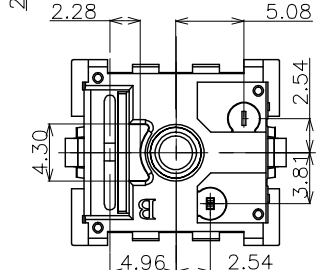
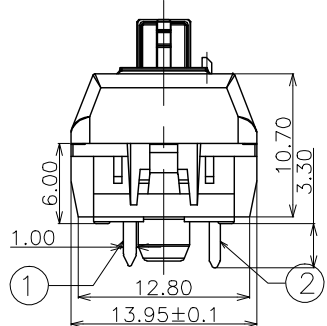
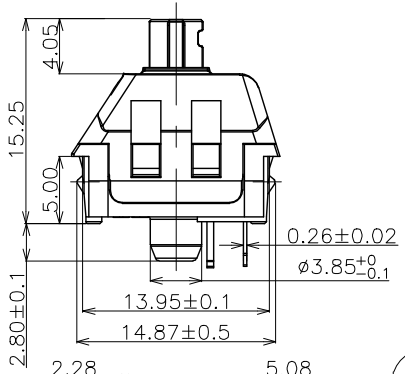
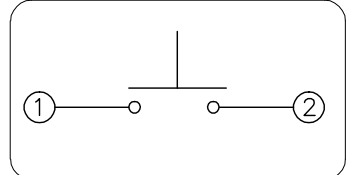
ABIDE BY ROHS

Silver shaft

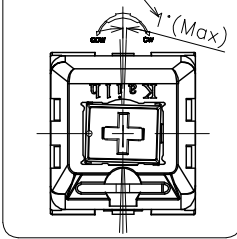


- Specification :**
- 1. Rating :12V AC/DC max. 2V DC min. 10mA AC/DC max. 10μA DC min.
 - 2. Contact Resistance : 100mΩ Max
 - 3. Insulation Resistance :100MΩ Min (DC500V)
 - 4. Withstand Voltage :AC100V(50-60Hz) for 1 minute
 - 5. Bounce Time: ≤5msec (at 16 in/sec. actuation speed)
 - 6. Resilience Force ≥12gf
 - 7. Operation Force :40±10gf
 - 8. Pre travel:1.1±0.4mm
 - 9. Total travel:3.5±0.4mm
 - 10. Operating Life :70,000,000 Cycles(min).

SWITCH FUNCTION



轴倾斜角度



<Feel is allowed to have difference before and after life test>

⑦	Base	1	PA66	White	
⑥	contact	2	Composite gold		
⑤	Spring	1	Stainless Steel		
④	Cover	1	PC		
③	Keystroke	1	POM	Silver	
②	static plate	1	Brass	Plating NI	
①	movable plate	1	Copper Alloy		
ITEM	PART NAME	TER'NO,QTY.	MATERIAL	FINISHING	REMARK

APPROVALS		DATE	DONGGUAN CITY KAILIA ELECTRONICS CO.,LTD		
DRAWN	YI JIN PING	2017.04.13	Keilh		
CHECKED			TITLE:	PG1511 Keystroke Switch(Silver shaft)	
APPROVALS			PART NO.	CPG151101D212	
TOLERANCES ARE		ANGLE	UNIT: mm	SCALE: 1:1	PROJ:
30<L	±0.30				
10<L	±0.20				
5<L	±0.15	±2'	DRAWING NO.	KHA-PG1511-	SHEET 1 OF 1
L≤5	±0.10				

ECN NO.	REV.	DATE.	NEW DESCRIPTION.	CHANGE.	CHECK.	APPRO.