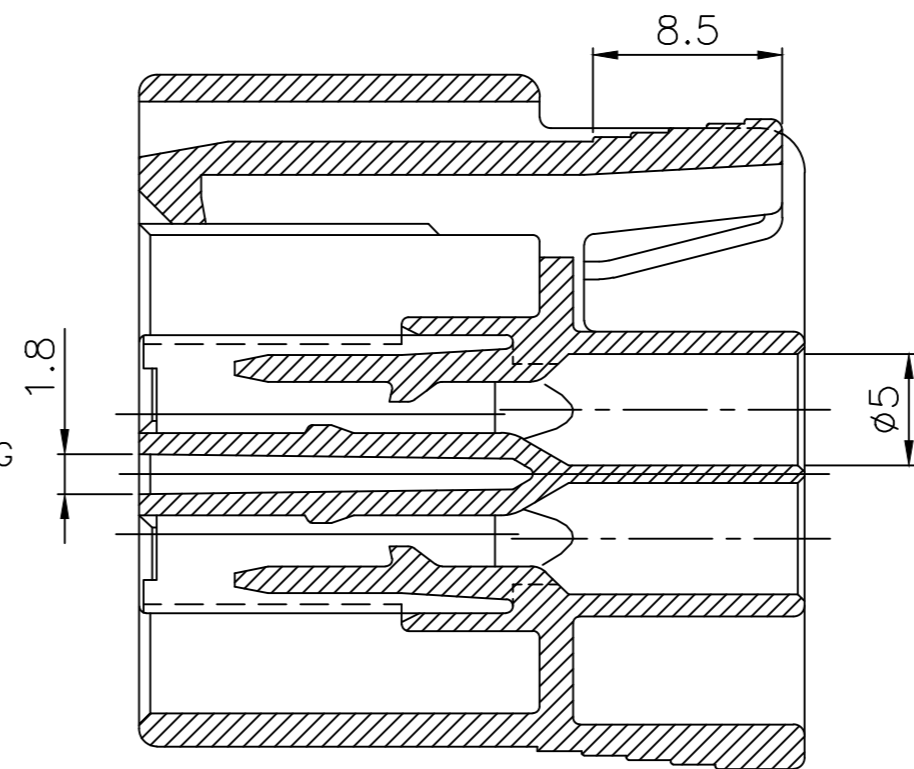
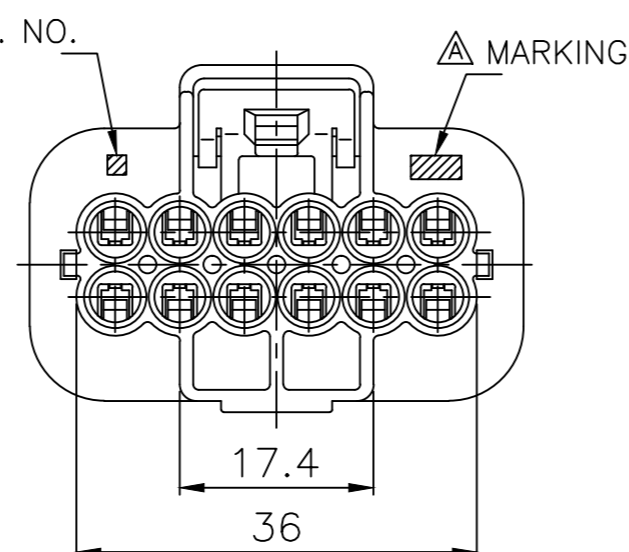
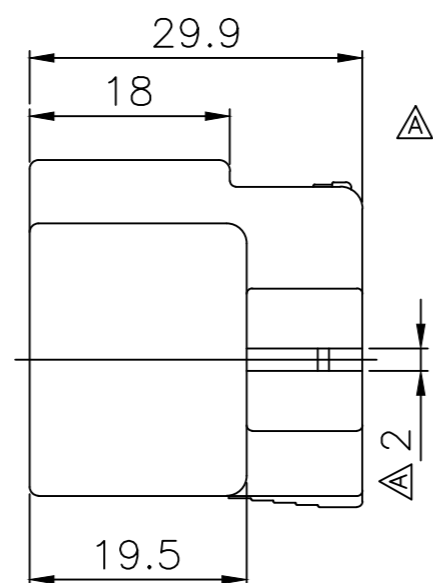
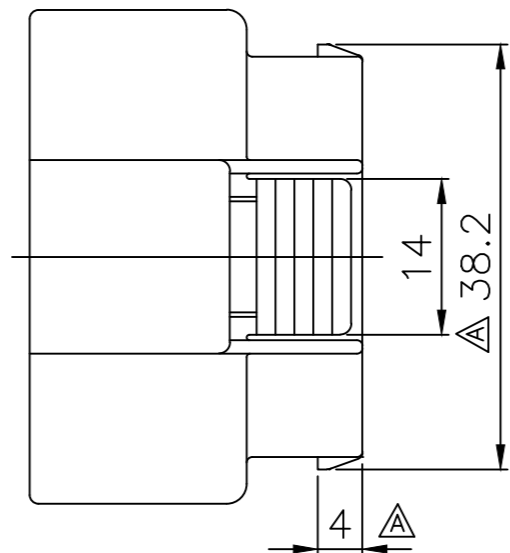
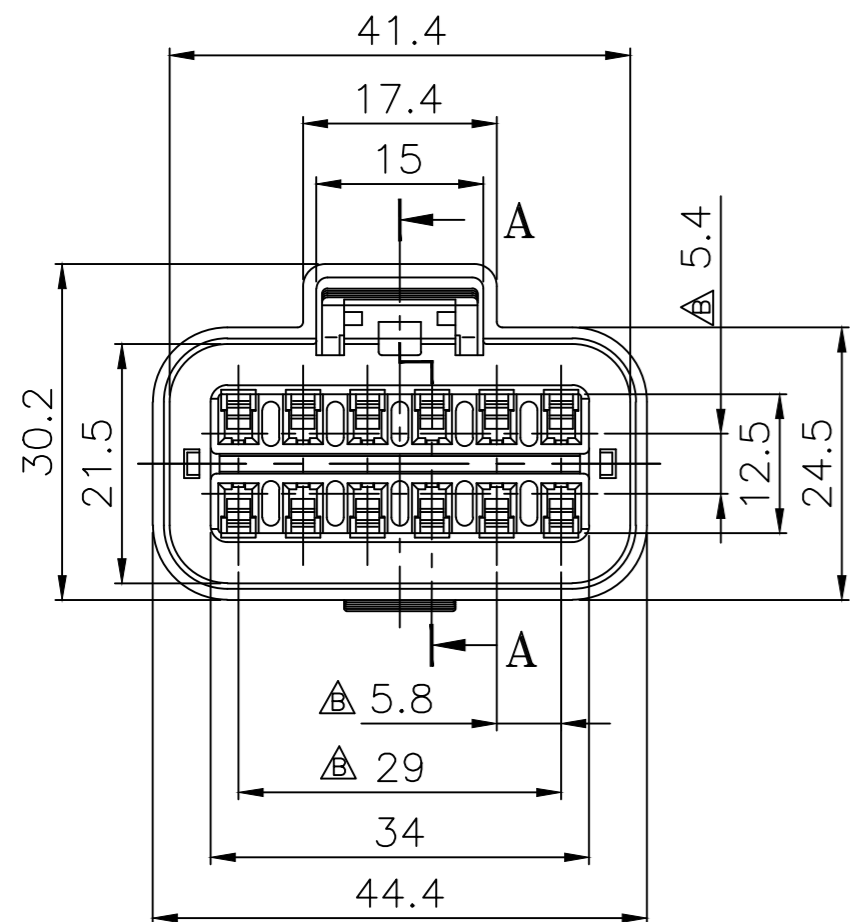


CUSTOMER DRAWING

①②③④ CONN. NMWP12F



SECTION A-A(2/1)

— 주 기 —

- MARKING 및 CAV. NO는 당사 규정에 의하여 각인 할 것.
- 상대 MATCHING CONNECTOR : NMWP CONN. TAB류.
- ASSY 부품
 - FRONT HOLDER : PB875-12900
 - CONNECTOR SEAL: RS210-12000
 - TERMINAL

적용 전선(SQ)	PART NAME	PART NO.
AV,AVS,AVSS 0.3~0.5 / AVX,AEX 0.5	NMWP-F-S	MT095-63080
AV,AVX,AEX,AVS,AVSS 0.75~0.85sq, AESX 0.75~0.85sq, 테프론 0.61sq	NMWP-F-SM	TN025-00200
AV,AVX,AEX,AVS,AVSS 1.25sq~2.0sq	NMWP-F-M	MT095-63280
AV,AVS,AVSS 0.3~0.5 / AVX,AEX0.5	NMWP-F-S-Au	MT095-63060
AV,AVX,AEX,AVS,AVSS 0.75~0.85sq, AESX 0.75~0.85sq, 테프론 0.61sq	NMWP-F-SM-Au	TN025-00210
AV,AVX,AEX,AVS,AVSS 1.25sq~2.0sq	NMWP-F-M-Au	MT095-63260

4) WIRE SEAL

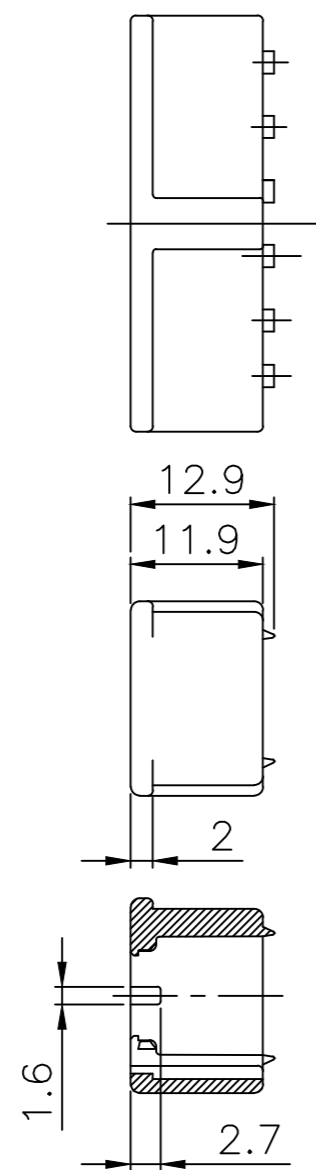
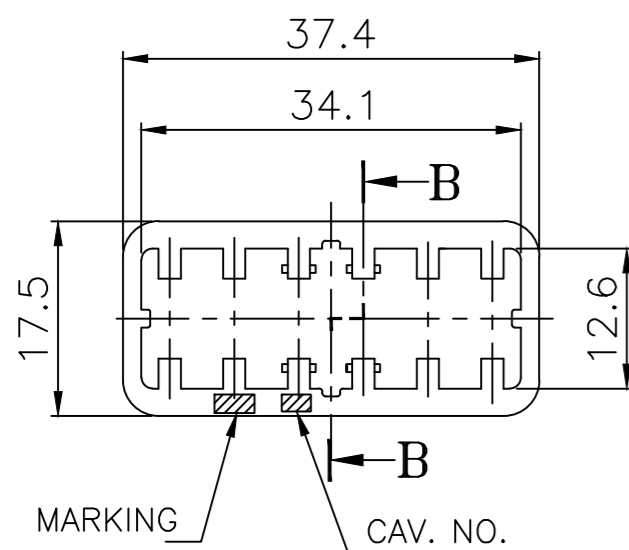
적용 전선(SQ)	PART NAME	PART No.
AV,AVS 0.3 / AVSS 0.3~0.85sq, AESX 0.75~0.85sq, 테프론 0.61sq	W/S MWP-0.3	RS220-01100
AV 0.5,AVSS1.25/AVS,AVX,AEX0.5~0.85	W/S MWP-SS	RS220-04100
AV 0.75~0.85, AVS 1.25	W/S MWP-S	RS220-02100
AVS,AVSS 2.0 /AV,AVX,AEX 1.25~2.0	W/S MWP-W	RS220-03100
막음SEAL용 PIN	NMWP S/P ASSY	PZ001-15022

4. ASSY PART NO.

ASSY P/NAME	ASSY P/NO.	①	②	③	④	⑥
CONN. NMWP12F-B ASSY	PB625-12027	●				●
CONN. NMWP12F-B-L ASSY	PB625-12647		●			●
CONN. NMWP12F-B-BR ASSY	PB625-12657			●		●
CONN. NMWP12F-B-GY ASSY	PB625-12727				●	●

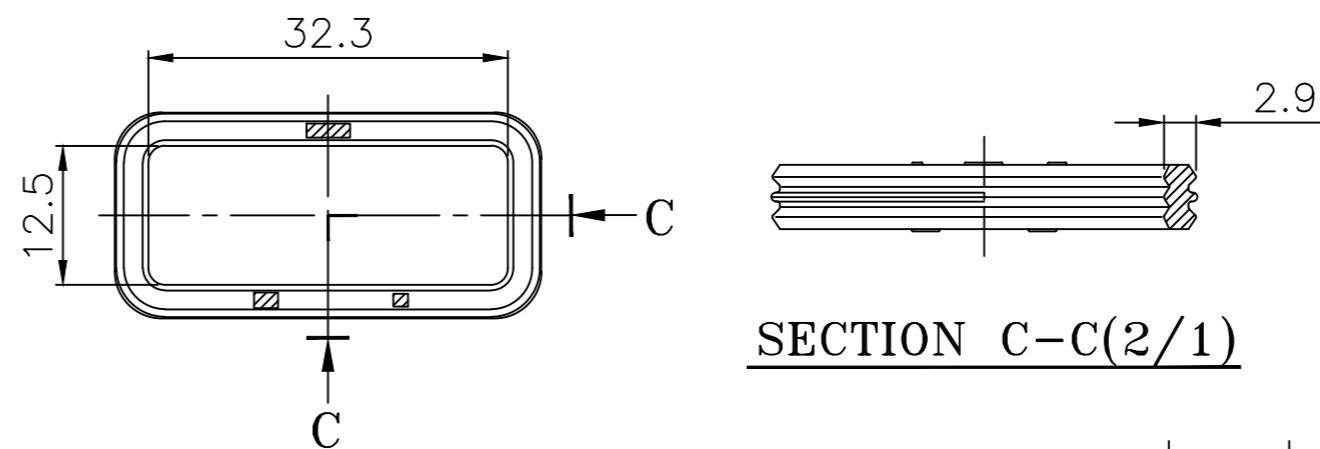
5. 본 부품은 방수형 CONNECTOR임.

⑤ F/H NMWP12F



SECTION B-B

⑥ C/S MWP 12P



SECTION C-C(2/1)

NO.	PART NAME	PART NO.	COLOR	MATERIAL
⑥	C/S MWP12P-BR	RS210-12000	BROWN	특수 SI-RUBBER
⑤	F/H NMWP12F-OR	PB875-12900	ORANGE	PBT
④	CONN. NMWP12F-B-GY	PB625-12720	GRAY	PBT
③	CONN. NMWP12F-B-BR	PB625-12650	BROWN	PBT
②	CONN. NMWP12F-B-L	PB625-12640	BLUE	PBT
①	CONN. NMWP12F-B	PB625-12020	BLACK	PBT

THIRD ANGLE PROJECTION	A	1/1(2/1)	KDK	KMH	KNJ	CJW
TOLERANCE		SCALE	DESIGN	DRAWN	CHECKED	APPROVED

승인	DATE	NOTE NO.	SYM	ALTERATION	담당
CJW	06.07.28	E006-0040	△C	TML 사양추가 및 적용전선사양변경 (5개소)	SSJ
KKL	02.08.12	-	△B	치수 추가 (3개소)	KMH
CJW	99.12.20	-	△A	형상 변경 (5개소)	KDK
CJW	98.01.22	-	△	신 규	KDK

DRAWING NAME CONN. NMWP12F-B ASSY
DRAWING NO. PB625-12027-C01C

GENERAL TOLERANCE

	10MAX	50MAX	100MAX	150MAX	200MAX	200VR	ANGLE
A	±0.2	±0.3	±0.5	±0.8	±1.0	±1.4	±30'

KUM 케이유엠