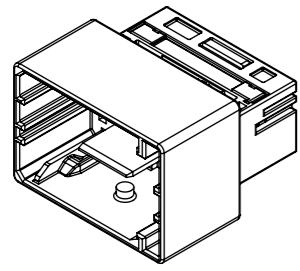
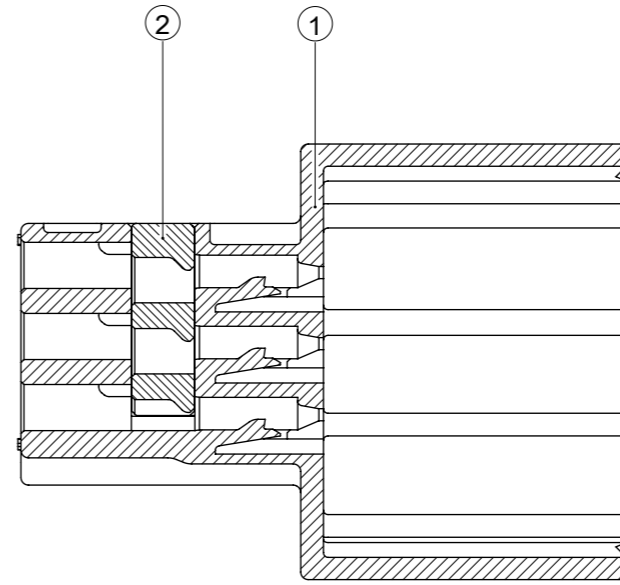
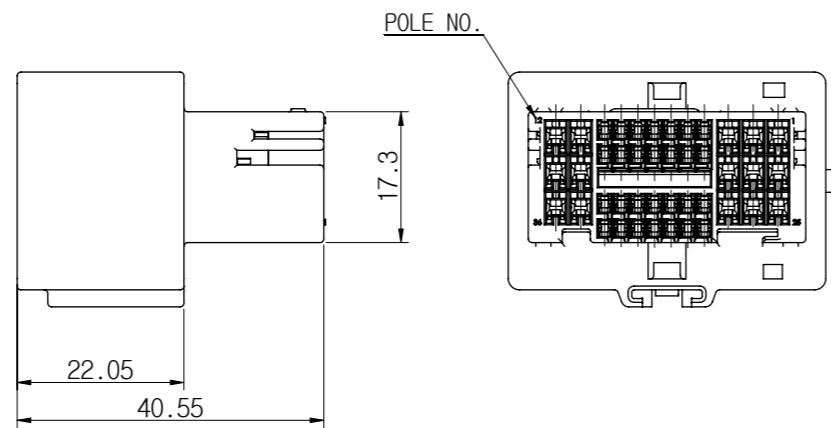
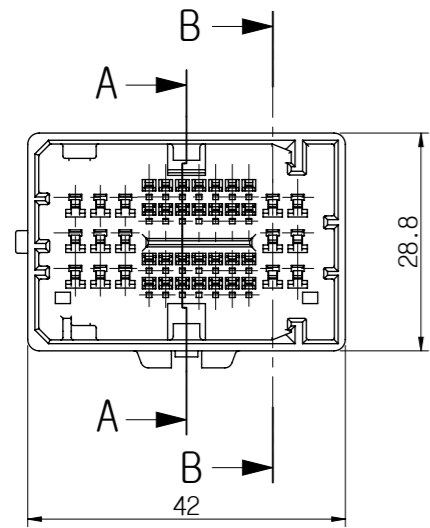
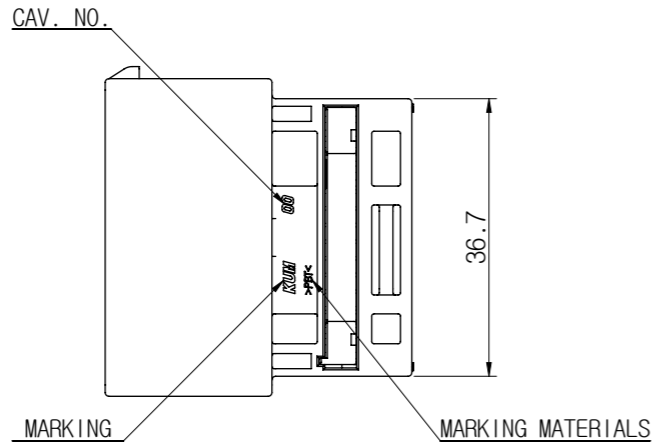


CUSTOMER DRAWING

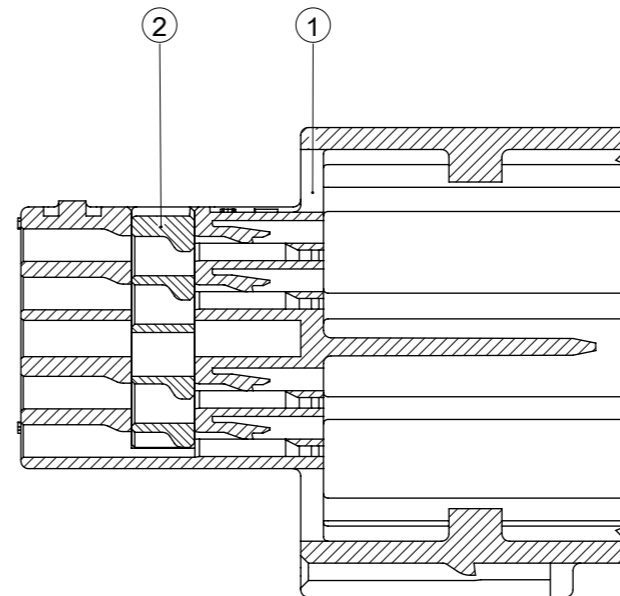
Q2506HY 43MA-W ASSY



ISO VIEW



SECTION B-B(2/1)



SECTION A-A(2/1)

- NOTE -

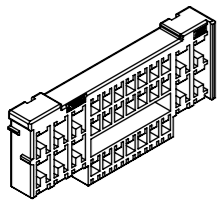
1. BEFORE USING, CHECK THE HARMFUL CRACK, BURR, ETC.
2. GENERAL TOLERANCES - SEE BLOW.
3. MARKING & CAV No. BY AS GENERAL RULE OF KUM.
4. ASSY PART

△ 1) TERMINAL

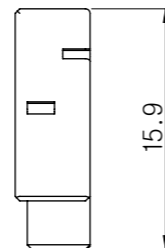
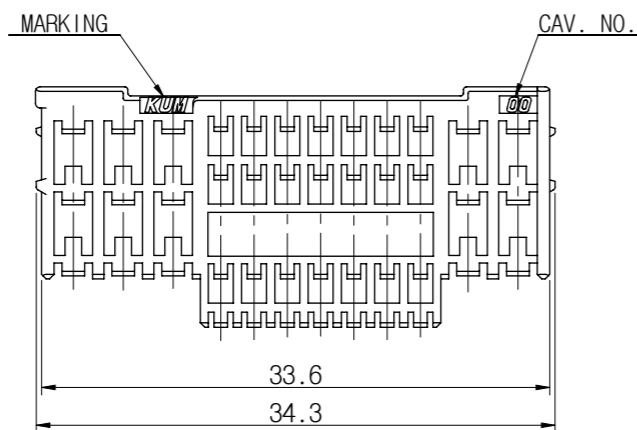
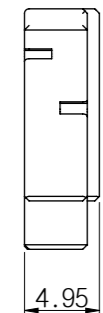
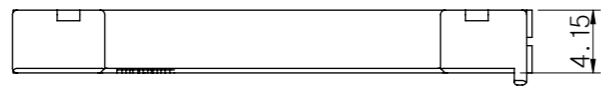
APPLICATION WIRE(SQ)	PART NAME	PART NO.
AVSS 0.3-0.5sq	TML MMC-M-S	TK191-00100
	TML MMC-M-S-Au	TK191-00110
CHFUS 0.22sq	TML MMC-M-SS	TK191-00400
	TML MMC-M-SS-Au	TK191-00410
AVSS 0.3-0.5sq	TML MMC11-M-S	TK192-00100
	TML MMC11-M-S-Au	TK192-00110
CHFUS 0.22sq	TML MMC11-M-SS	TK192-00400
	TML MMC11-M-SS-Au	TK192-00410
AVSS 0.85-1.25sq	TML NIC-M-M	TK201-00200
AVSS 0.3-0.5sq	TML NIC-M-S	TK201-00100

5. THIS PART IS NON-WATERPROOF CONNECTOR.

S/H Q2506HY 43M-GN



ISO VIEW



NO.	PART NAME	PART No.	COLOR	MATERIAL
②	S/H Q2506HY 43M-GN	HK251-43030	GREEN	PBT
①	Q2506HY 43MA-W	HK242-43010	WHITE	PBT
	THIRD ANGLE PROJECTION	A	-	BSH
	TOLERANCE	SCALE	DESIGN	DRAWN
			CHECKED	APPROVED

APVD	DATE	NOTE No.	SYM	ALTERATION	DWN
CJW	16.12.23	E016-0473	△	ADD TERMINAL SPECIFICATION & CHANGE GENERAL TOLERANCE	BSH
CJW	11.09.27	E011-0130	△	RELEASED	BSH

DRAWING NAME	Q2506HY 43MA-W ASSY
DRAWING No.	HK242-43011-C01A

**KUM** 케이유엠

△ GENERAL TOLERANCE									
	10MAX	30MAX	50MAX	70MAX	100MAX	120MAX	250MAX	250VR	ANGLE
A	±0.15	±0.2	±0.3	±0.4	±0.5	±0.75	±0.9	±1.4	±30'