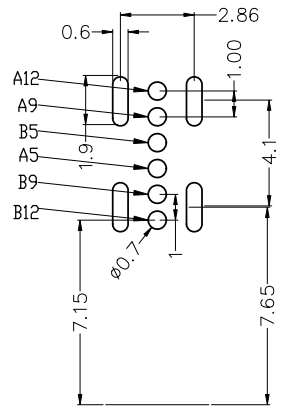
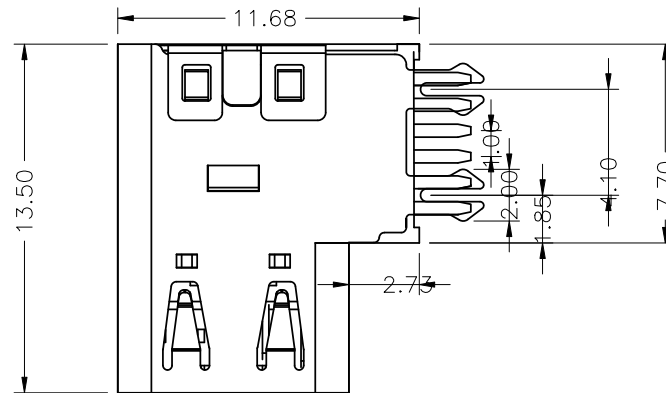
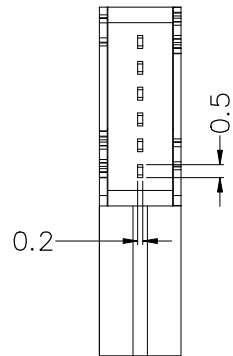
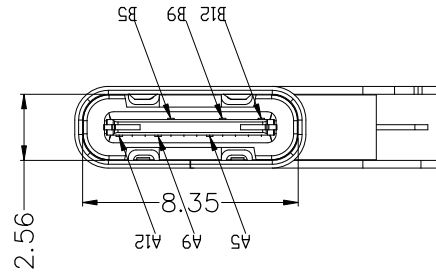


RoHS

MAPX

MODIFICATION

DATE



RECOMMENDED P.C.B. LAYOUT  
TOLERANCE UNSPECIFIED  $\pm 0.05\text{mm}$

NOTES:

1. MATERIAL: SEE "TABLE 1";
2. FINISH: SEE "TABLE 1";
3. ELECTRICAL :
  - 3-1. CONTACT CURRENT RATING :  
3A (VBUS PIN 1.5A/PIN MAX),  
3A (GND PIN 1.25A/PIN MAX), 0.25A/PIN  
(OTHER PIN).
  - 3-2. INSULATION RESISTANCE :  
100 MEGAOHMS MIN. AT 250VDC.
  - 3-3. DIELECTRIC WITHSTANDING VOLTAGE :  
100VAC MIN.
  - 3-4. LOW LEVEL CONTACT RESISTANCE :  
INITIAL 40m $\Omega$  MAX.  
AFTER 50m $\Omega$  MAX.
4. MECHANICAL CHARACTERISTICS :
  - 4-1. MATING FORCE: 5~20N.;
  - 4-2. UNMATING FORCE: 6~20N (INITIAL),
  - 4-3. OPERATING TEMPERATURE : -40° C TO +80° C

A1	GND	B12	GND
A4	VBUS	B9	VBUS
A5	CC1	B7	DN2
A6	DP1	B6	DP2
A7	DN1	B5	CC2
A9	VBUS	B4	VBUS
A12	GND	B1	GND
PIN	SIGNAL NAME	PIN	SIGNAL NAME

6	SHELL	STAINLESS STEEL	Ni Plated	1PCS
5	SHIELDING PLATE	STAINLESS STEEL	---	1PCS
4	MD	HIGH TEMPERATURE PLASTIC	BLACK	1PCS
3	CONTACT	COPPER ALLOY	Au/Ni Plated	1SET
2	CONTACT	COPPER ALLOY	Au/Ni Plated	1SET
1	HOUSING	HIGH TEMPERATURE PLASTIC	BLACK	1PCS
NO.	DESCRIPTION	MATERIAL	REMARKS	QTY

<p>产品图 PRODUCT CHART DWG</p> <p>公差一览表 TOLERANCE UNLESS OTHERWISE</p>		<p>深圳市精拓金电子有限公司</p>							
X.	$\pm 0.35$	X.	$\pm 5.0$	单位 UNITS	MM	制图 DRAWING	林属升	制图料号 PRODUCT PART NO.	918-518K2023D50000
.X	$\pm 0.20$	.X	$\pm 2.0$	比例 SCALE	1:1	审核 CHKD	郭治富	产品名称 PRODUCT NO.	TYPE-C2.0侧插13.5/11.68四鱼叉脚 不锈钢LCP黑胶6PIN加高
.XX	$\pm 0.10$	.XX	$\pm 1.0$	日期 DATE	2016-09-09	核准 APPD	黄国荣	角法 VIEW	
.XXX	$\pm 0.05$	.XXX	$\pm 0.5$					版本 VER	AO