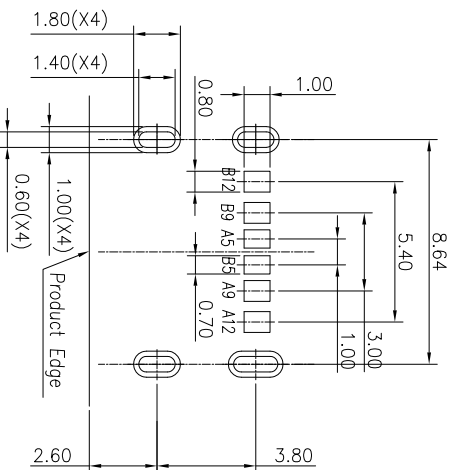
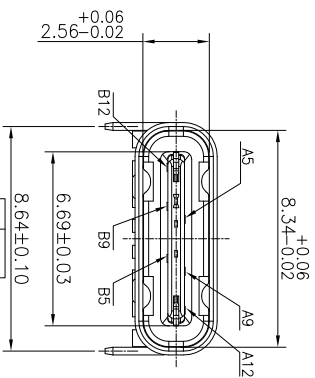
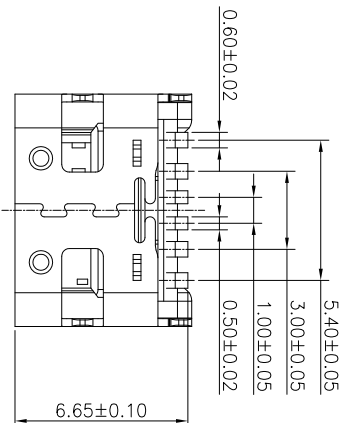
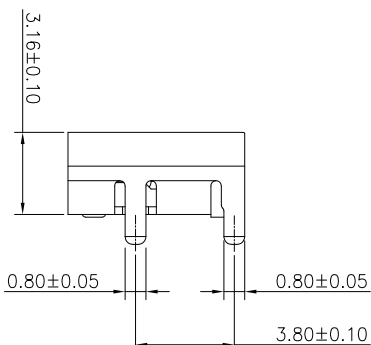
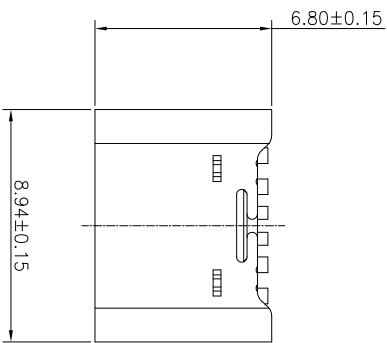
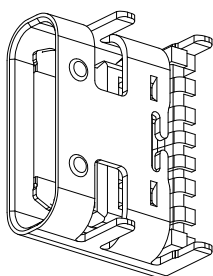
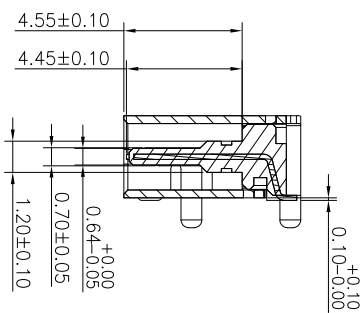
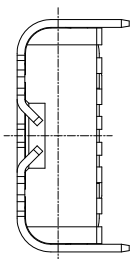


RoHS



Section A-A

MAPX	MODIFICATION	DATE
------	--------------	------

Specification:
 1. Electrical Characteristics:
 Contact Current Rating: 5 Amperes FOR VBUS,
 1.25 A FOR GND PIN
 0.25 A FOR OTHER

Rated Voltage: 20V Max.

Dielectric Withstanding Voltage: AC 100V r.m.s.

Insulation Resistance: 100 MΩ Minimum.

Contact Resistance: 40 mΩ Maximum.

2. Environmental:

Operating Temperature: -40°C~+85°C.

3. Mechanical Characteristics:

Insertion Force: 5~20Nf.

Withdrawal Force: 6~20Nf.

Durability Cycles: 3000 Cycles.

4. Make is major test Dimension

A5	CC1	B5	CC2
A9	VBUS	B9	VBUS
A12	GND	B12	GND
PIN	SIGNAL NAME	PIN	SIGNAL NAME

产品图		单位		制图		制图料号	
公差一览表		MM		许榕强		PRODUCT PART NO.	
TOLERANCE UNLESS OTHERWISE		1:1		审核 郭治富		USB TYPE C 6Pin 母头成品	
公差		比例		审核 郭治富		PRODUCT NO.	
±0.35		1:1		核准 黄国荣		角法	
±0.20		DATE		2010-08-09		版本	
±0.10		DATE		2010-08-09		A0	
±0.05		DATE		2010-08-09		A0	

深圳市精拓金电子有限公司

RECOMMENDED P.C.B. LAYOUT
 TOLERANCE UNSPECIFIED ±0.05mm